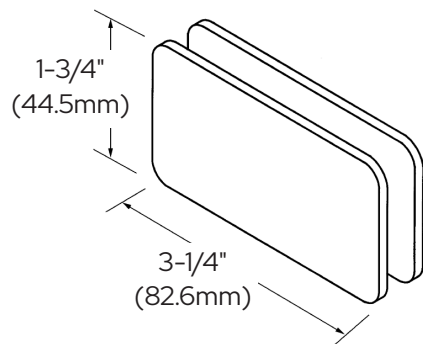
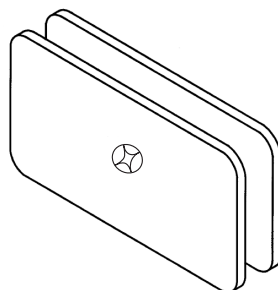


FRONT VIEW



REAR VIEW



Specifications:

Material:	Solid brass
Glass Thickness Range:	5/16" (8mm) to 1/2" (12mm)
Hole Size Required:	See Templates
Includes:	Mounting screws and gaskets

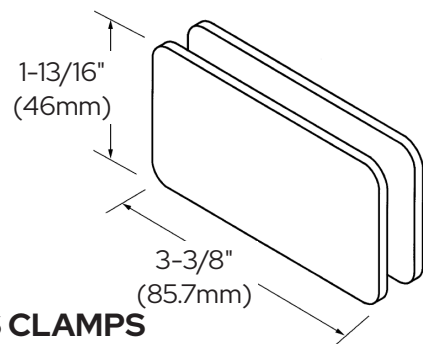
Template Shown on Next Page

GLASS CLAMPS

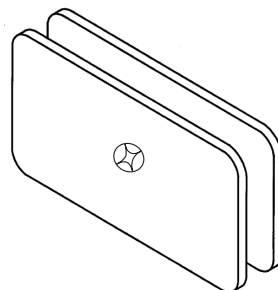
180° Single Stud

CAT. NO. GCB180

FRONT VIEW



REAR VIEW



Specifications:

Material:	Solid brass
Glass Thickness:	1/4" (6mm)
Hole Size Required:	See Templates
Includes:	Mounting screws and gaskets

Template Shown on Next Page

GLASS CLAMPS

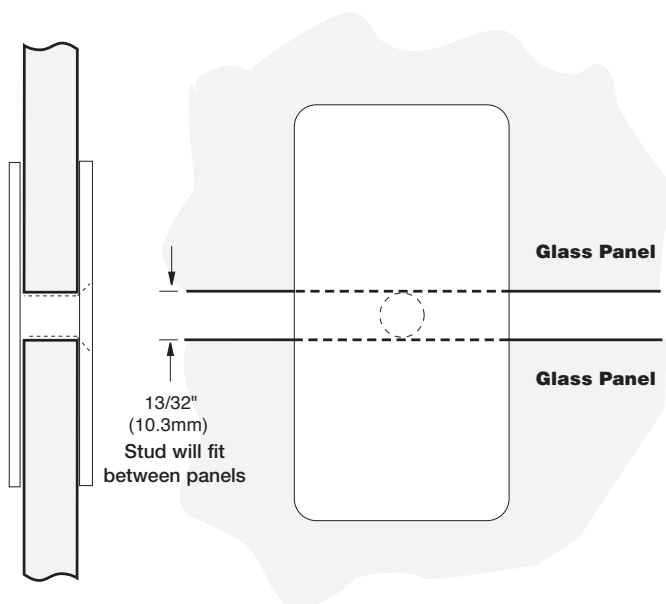
Junior 180° Single Stud

CAT. NO. GCB680

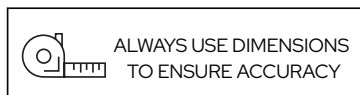
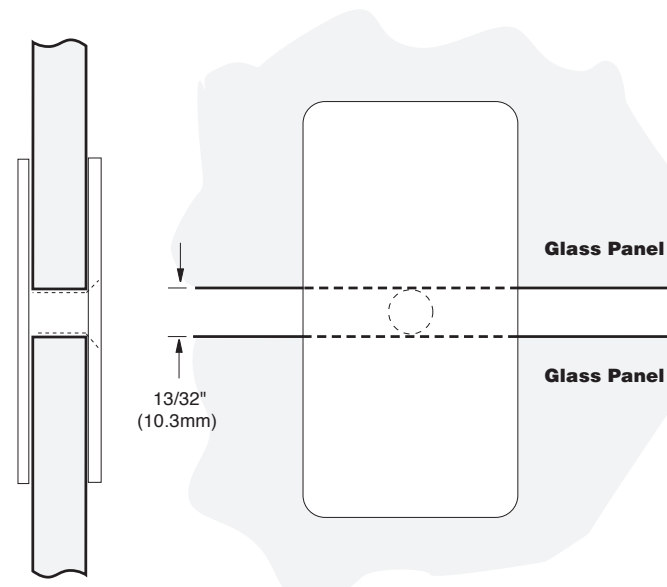
***NOTE:** Do not exceed either maximum weight or width when choosing proper quantity of hinges.

IMPORTANT: Project measurements from the edge of the glass.

TYPICAL INSTALLATION TEMPLATE OPTION FOR SQUARE CUT GLASS



TYPICAL INSTALLATION TEMPLATE OPTION FOR NOTCHED GLASS



GLASS CLAMPS

THE TEMPLATE OPTIONS ON THIS PAGE APPLY TO THE CLAMPS BELOW:

180° Single Stud | Junior 180° Single Stud

CAT. NO. GCB180 | CAT. NO. GCB680