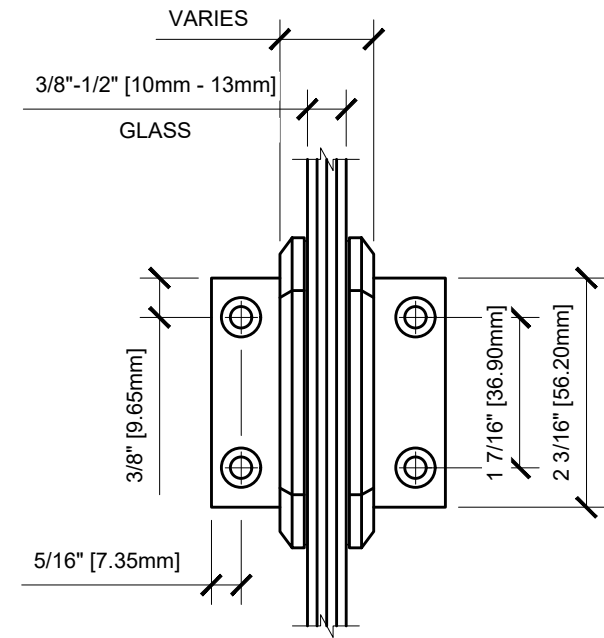
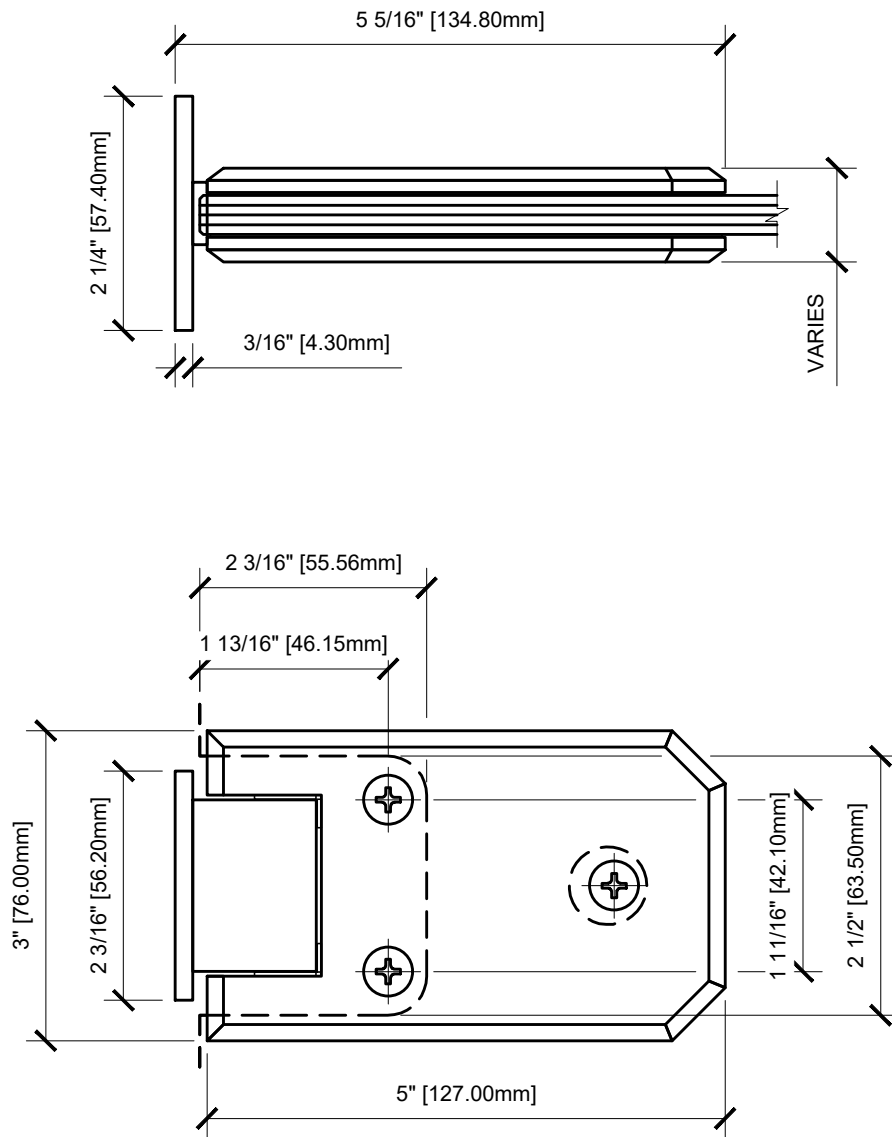


USE OF GASKETS

FOR 3/8" (10mm) GLASS: USE ONE THICK GASKET ON EACH SIDE

FOR 1/2" (12mm) GLASS: USE ONE THIN GASKET ON EACH SIDE



CATALOG NUMBER	FINISH
ELT074CH	CHROME
ELT074BR	POLISHED BRASS
ELT0740RB	OIL RUBBED BRONZE
ELT074ABR	ANTIQUÉ BRASS
ELT074BN	BRUSHED NICKEL
ELT074BSC	BRUSHED SATIN CHROME
ELT074GP	GOLD PLATED
ELT074PN	POLISHED NICKEL
ELT074SB	SATIN BRASS
ELT074SC	SATIN CHROME

ELT074XX - CRL ELITE SERIES WALL MOUNT HINGE



A CRH COMPANY

C.R. LAURENCE CO. ARCHITECTURAL PRODUCTS  
 2503 E. Vernon Avenue, Los Angeles, C.A 90058-1897  
 PH (800)-421-6144 FX: 800-587-7501 www.crlaurence.com

DESCRIPTION:

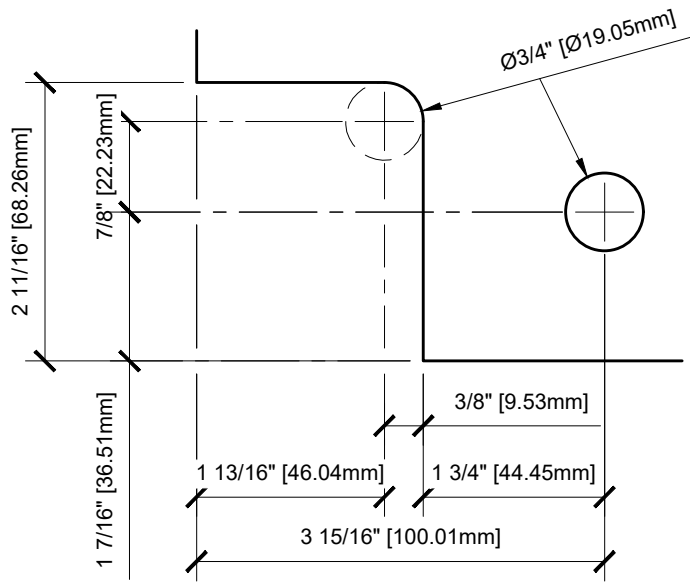
CRL ELT074

CRL ELITE SERIES  
 WALL MOUNT HINGE

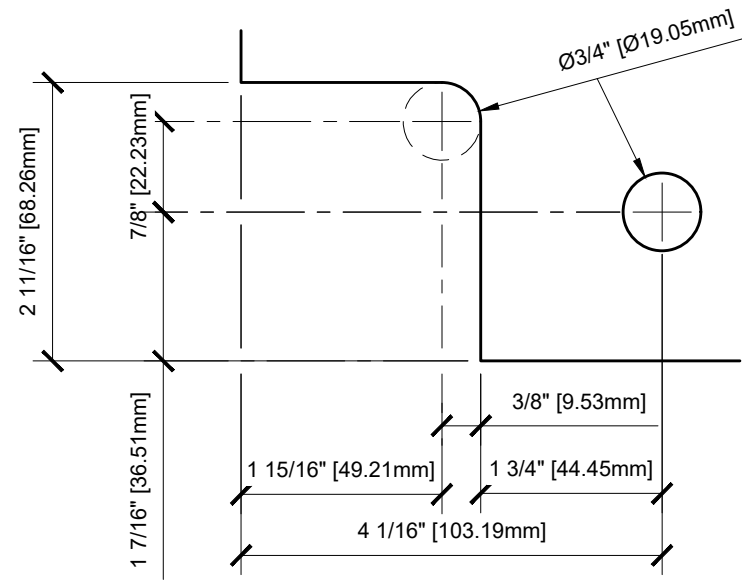
DATE: 1/07/19

SCALE: 6" = 1'-0"

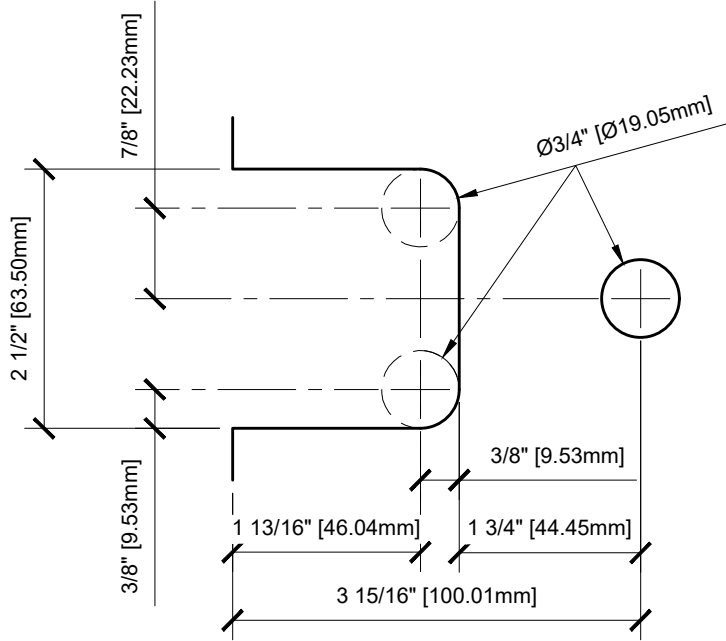
DRAWN BY: BRIAN R.



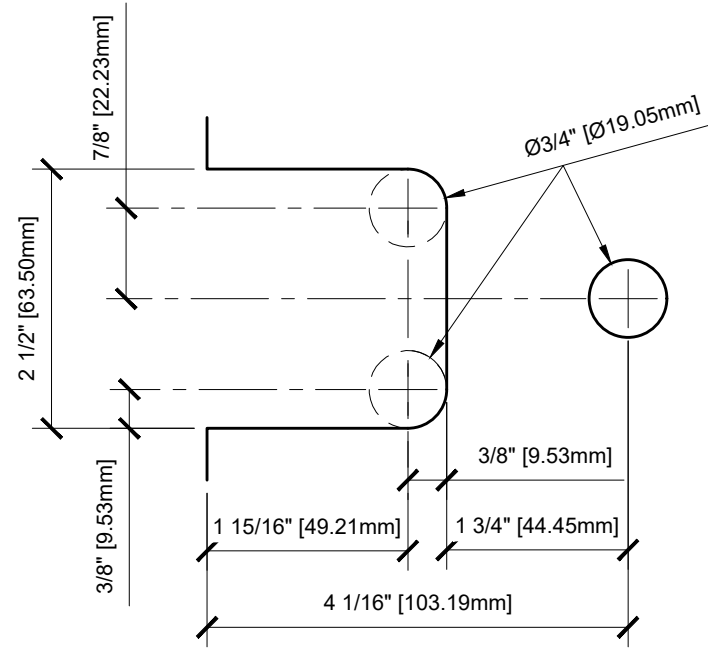
**GLASS FABRICATION TEMPLATE**  
**TOP AND BOTTOM CORNER MOUNT OPTION**  
**LEAVING SPACE OF 5/32" TO 3/32" FROM WALL**



**GLASS FABRICATION TEMPLATE**  
**TOP AND BOTTOM CORNER MOUNT OPTION**  
**LEAVING SPACE OF 5/32" TO 3/32" FROM WALL**



**GLASS FABRICATION TEMPLATE**  
**LEAVING SPACE OF 5/32" TO 3/32" FROM WALL**



**GLASS FABRICATION TEMPLATE**  
**LEAVING SPACE OF 1/32" TO 3/16" FROM WALL**