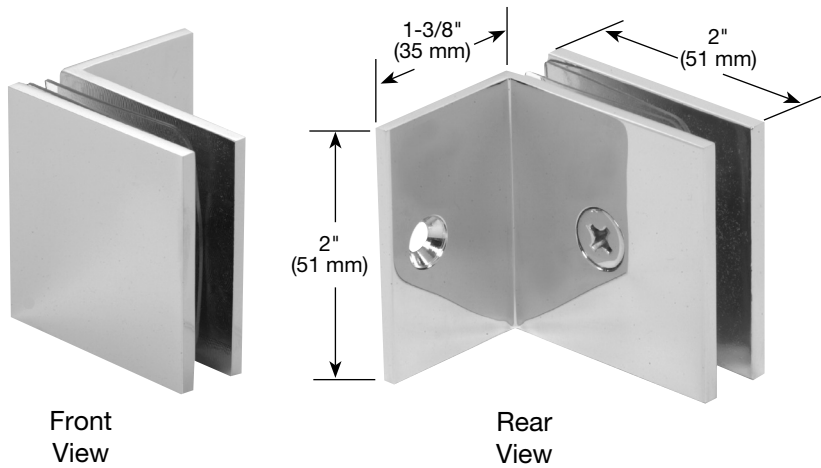


# US Horizon Glass Clamps

## Fixed Panel Square with Small Leg

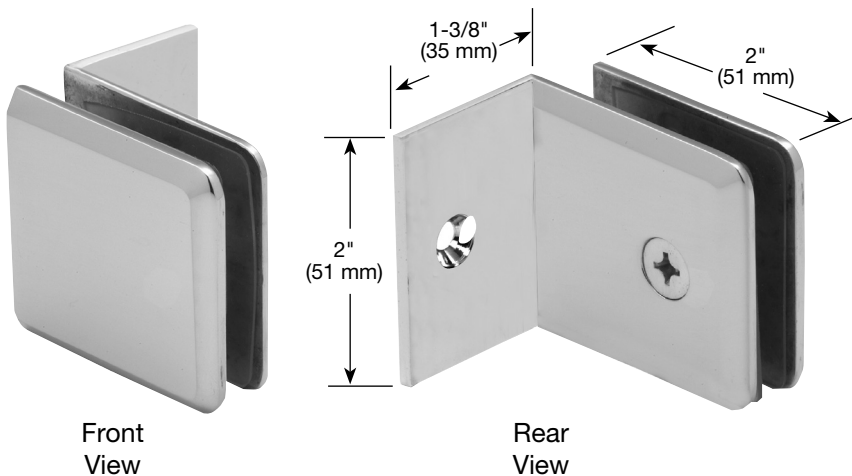


**Material:** Solid brass  
**Glass Thickness Range:**  
3/8" (10) to 1/2" (12 mm) thick glass  
**Hole Size Required:** 5/8" (16 mm)  
or 3/4" (19 mm) diameter  
**Includes:** Mounting Screws and Gaskets  
Templates shown on next page

Cat. No. USH CGTW2

# US Horizon Glass Clamps

## Fixed Panel Beveled with Small Leg



**Material:** Solid brass  
**Glass Thickness Range:**  
3/8" (10) to 1/2" (12 mm) thick glass  
**Hole Size Required:** 5/8" (16 mm)  
or 3/4" (19 mm) diameter  
**Includes:** Mounting Screws and Gaskets  
Templates shown on next page

Cat. No. USH CPGTW2

# SHORIZON®

28539 Industry Drive, Valencia, CA 91355

Toll Free Phone: (877) 728-3874 Toll Free Fax: (888) 440-9567

Phone: (661) 775-1675

Fax: (661) 775-1676

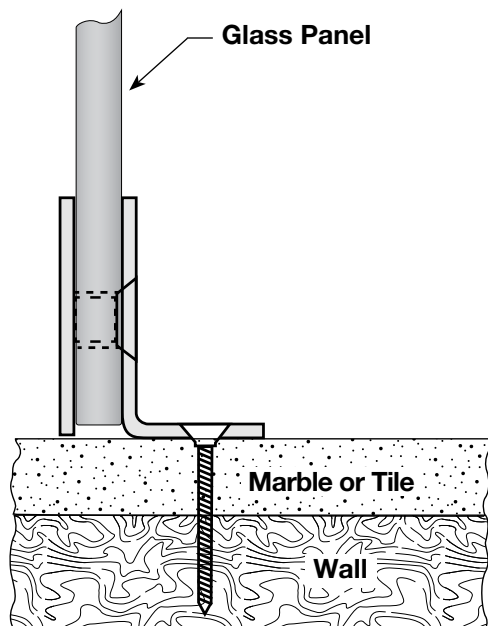
[ushorizon.com](http://ushorizon.com)

02/25/19

# US Horizon Glass Clamps

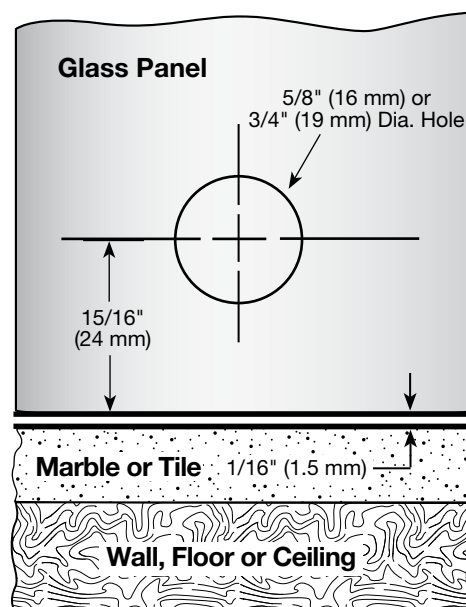
## Fixed Panel Square with Small Leg

### TYPICAL INSTALLATION



### Template

**Important:** Project measurements from the edge of the glass.

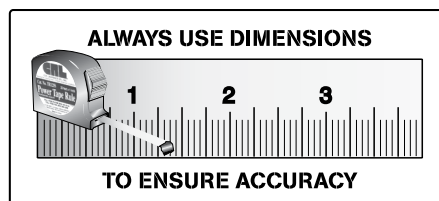


### Glass Clamps

The Template on this page applies to the Following Clamps:

Fixed Panel Square with Small Leg  
Cat. No. **USH CGTW2**

Fixed Panel Beveled with Small Leg  
Cat. No. **USH CPGTW2**



# SHORIZON®

28539 Industry Drive, Valencia, CA 91355

Toll Free Phone: (877) 728-3874 Toll Free Fax: (888) 440-9567

Phone: (661) 775-1675

Fax: (661) 775-1676

[ushorizon.com](http://ushorizon.com)

02/25/19