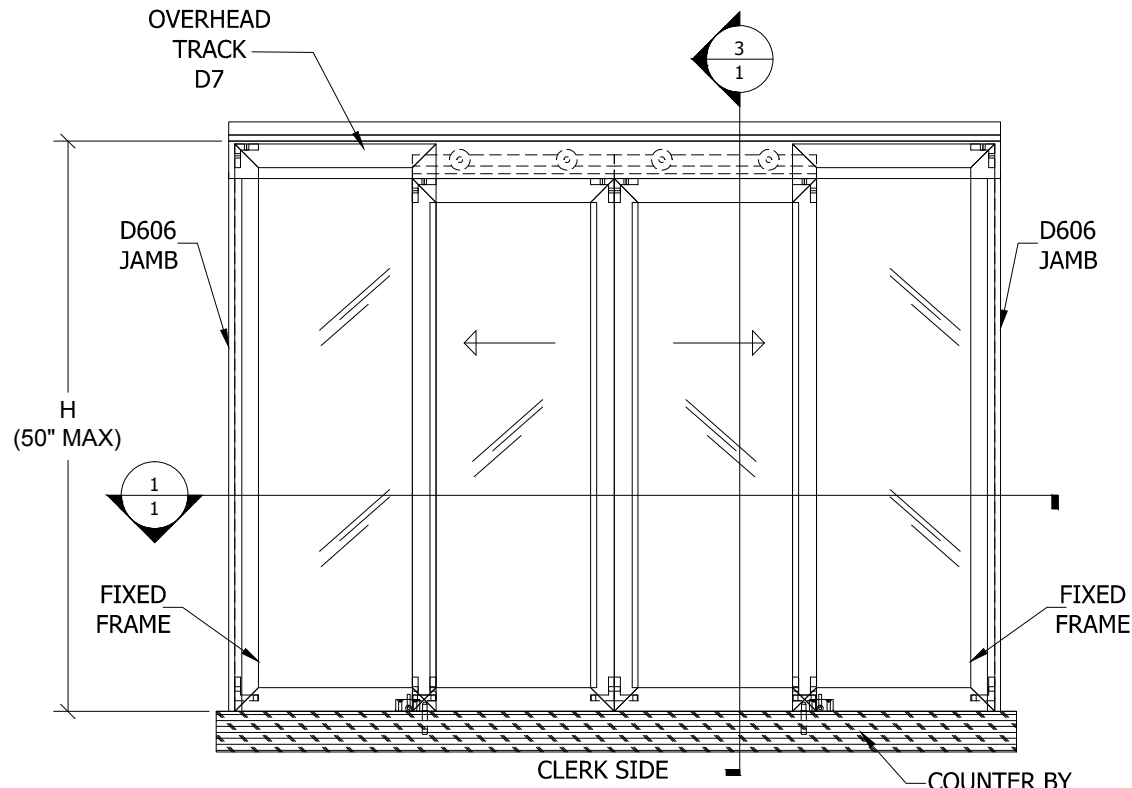
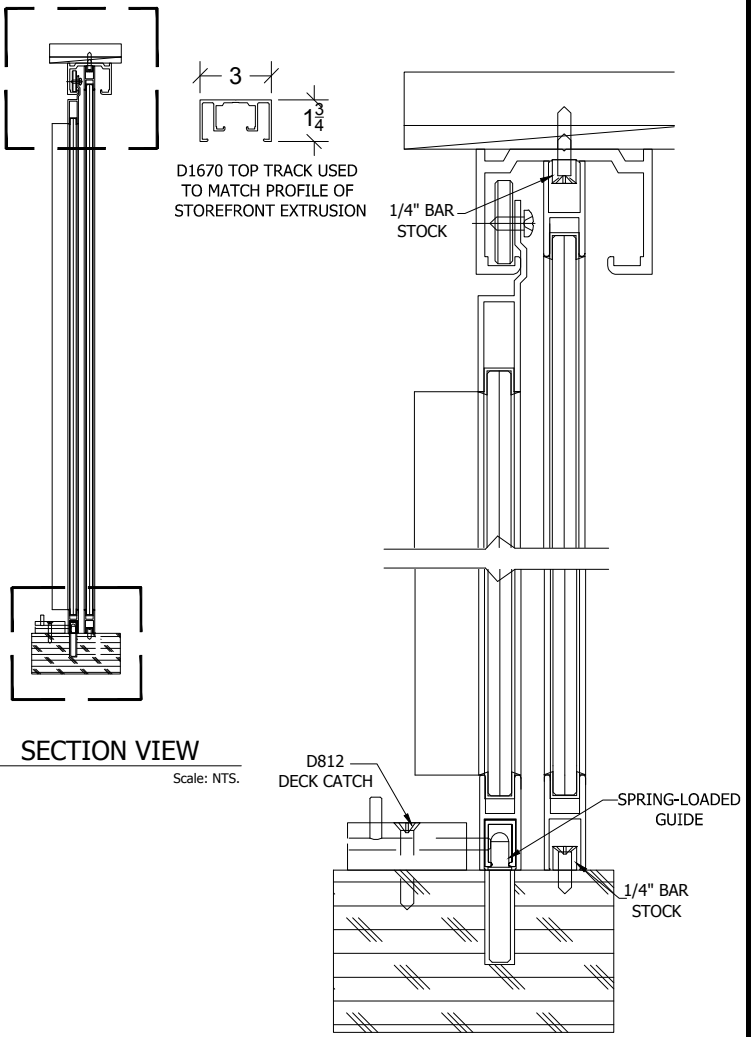


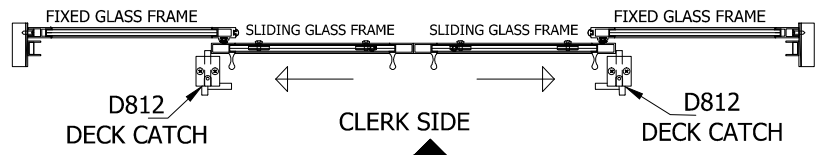
REV	DESCRIPTION	DATE	BY



2 ELEVATION VIEW
REF: Scale: NTS



3 SECTION VIEW
Scale: NTS.



1 PLAN VIEW
REF: Scale: NTS.

4 SECTION VIEW
Scale: NTS.

ALWAYS USE DIMENSIONS SHOWN ON THE PLAN.
DO NOT SCALE OR DIMENSION ACTUAL DRAWING
TO ENSURE ACCURACY

CAT. NO.	FINISH	OVERHEAD
D1031A	SATIN ANODIZED	D7
D1031DU	DURANODIC BRONZE	D7
D1032A	SATIN ANODIZED	D1670
D1032DU	DURANODIC BRONZE	D1670

ERL ARCHITECTURAL PRODUCTS
 PH: 800-421-6144 FX: 800-262-3299
 WWW.CRLAURENCE.COM

ISO9000 CERTIFIED COMPANY

C.R.LAURENCE CO.®

DESCRIPTION: **DIANE MODEL PASS-THRU**
 MODELS D1031 & D1032 INTERIOR USE ONLY

CAT. NO: D1031 / D1032	DATE: 3-22-13
FILE NAME: D1031 & D1032	SCALE: AS SHOWN
DRAWN BY: J.V.	CHECKED BY: R.D.
SHT 1 OF 1	