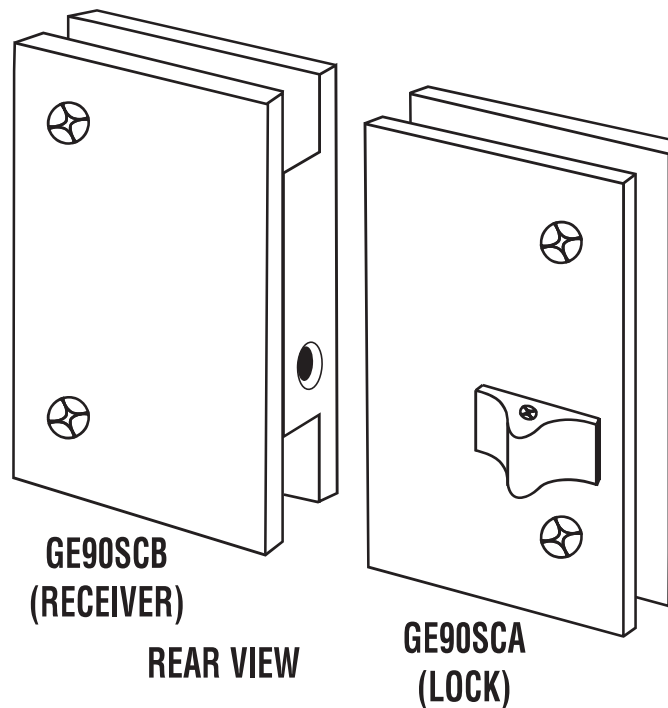


Specifications:

Material:	Solid Brass
Glass Thickness:	3/8" (9mm) to 1/2" (12mm)
Notch Required	
Includes:	Mounting screws and gaskets



GLASS DOOR LOCK WITH INDICATOR AND GLASS DOOR LOCK RECEIVER
CAT. NO. GE90SCB & GE90SCA

Template Shown on Next Page

***NOTE:** Do not exceed either maximum weight or width when choosing proper quantity of hinges.

NOTE:

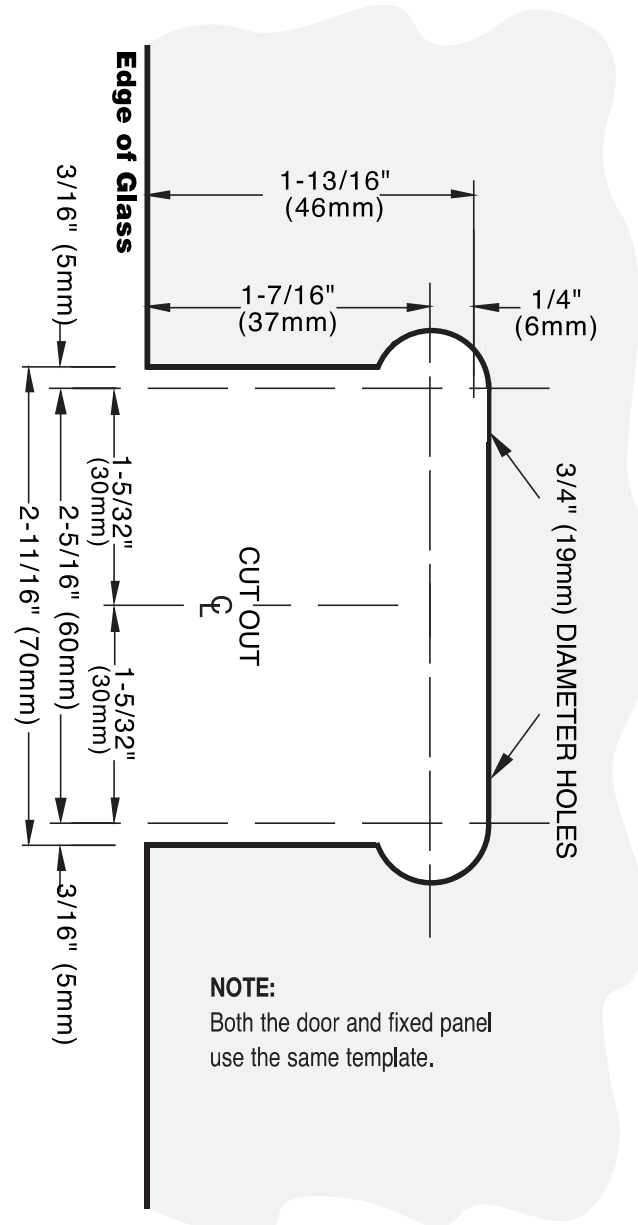
The minimum clearance between the door glass and the wall/panel is 1/8" (3mm) and the maximum clearance is 1/2" (12mm). The standard recommended clearance is 3/16" (5mm).



**GLASS DOOR LOCK WITH INDICATOR AND GLASS DOOR LOCK RECEIVER
CAT. NO. GE90SCB & GE90SCA**

***NOTE:** Do not exceed either maximum weight or width when choosing proper quantity of hinges.

IMPORTANT: Project measurements from the edge of the glass.



NOTE:
Both the door and fixed panel use the same template.