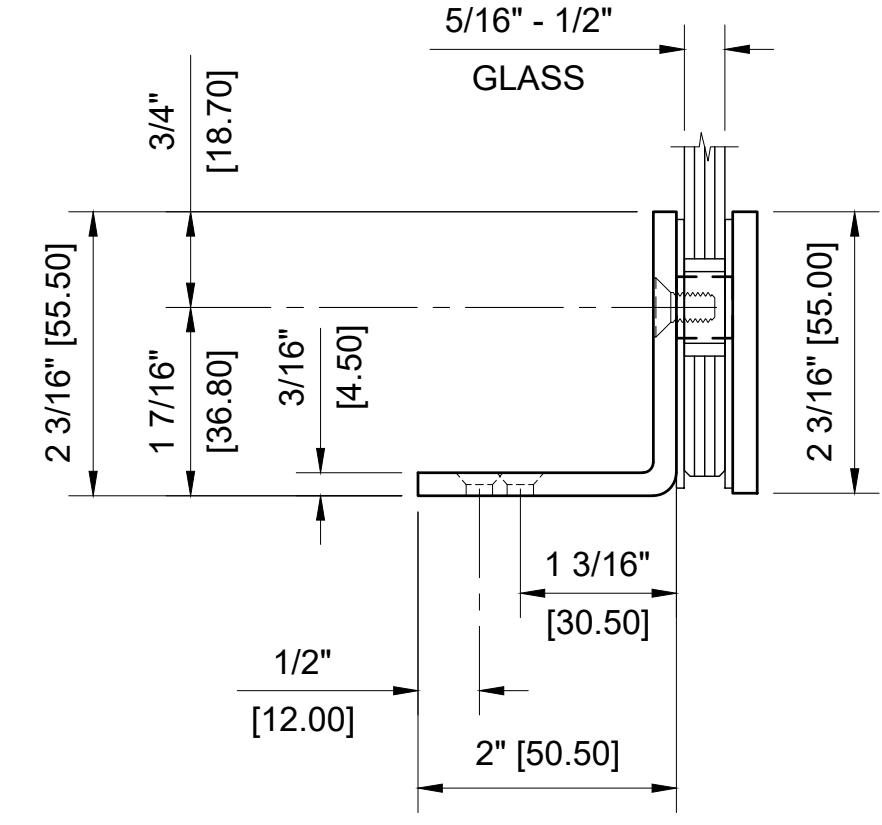
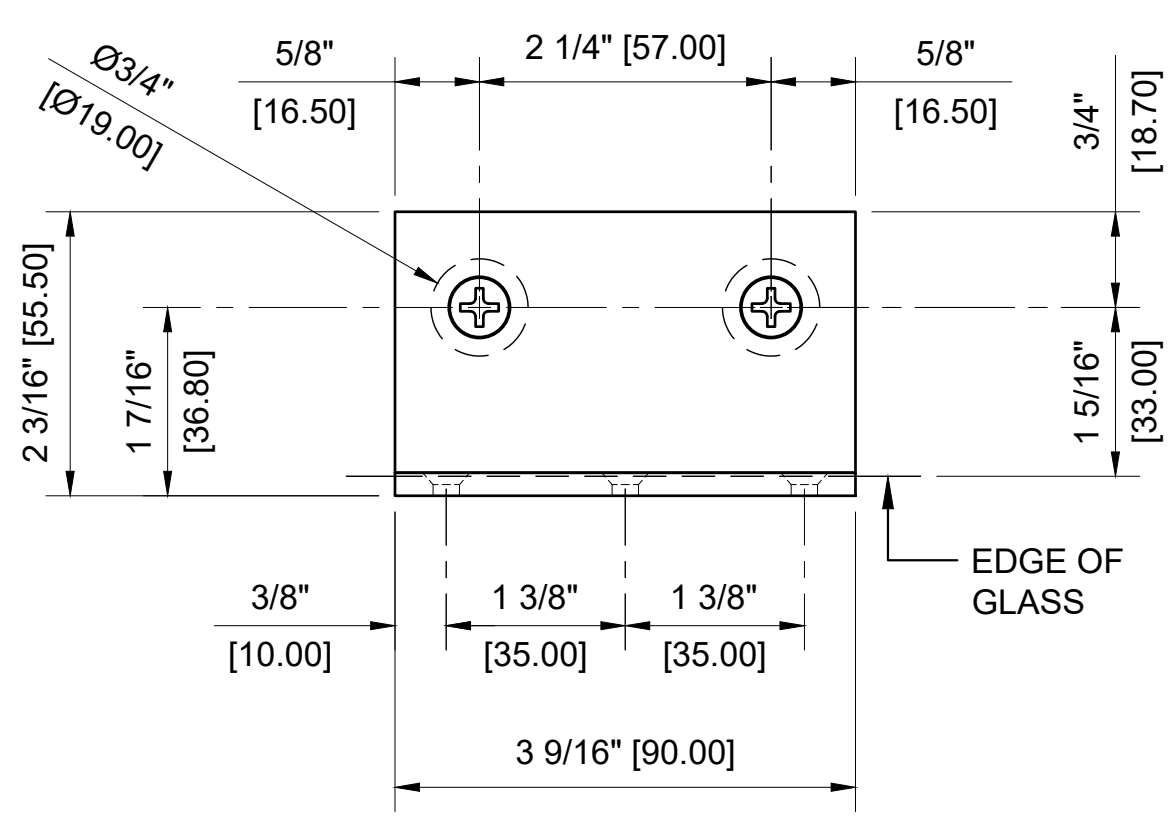
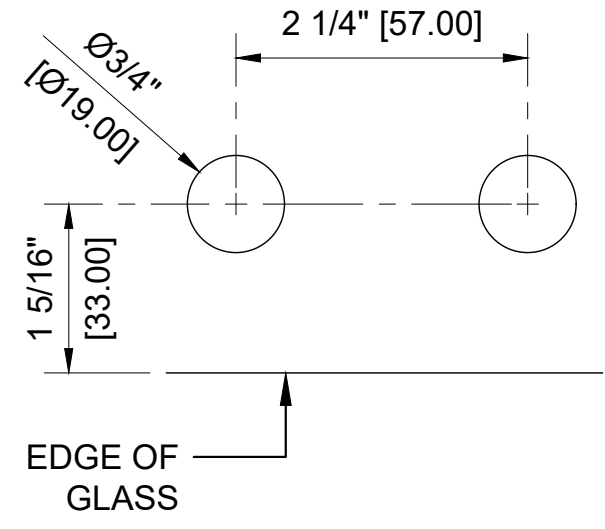
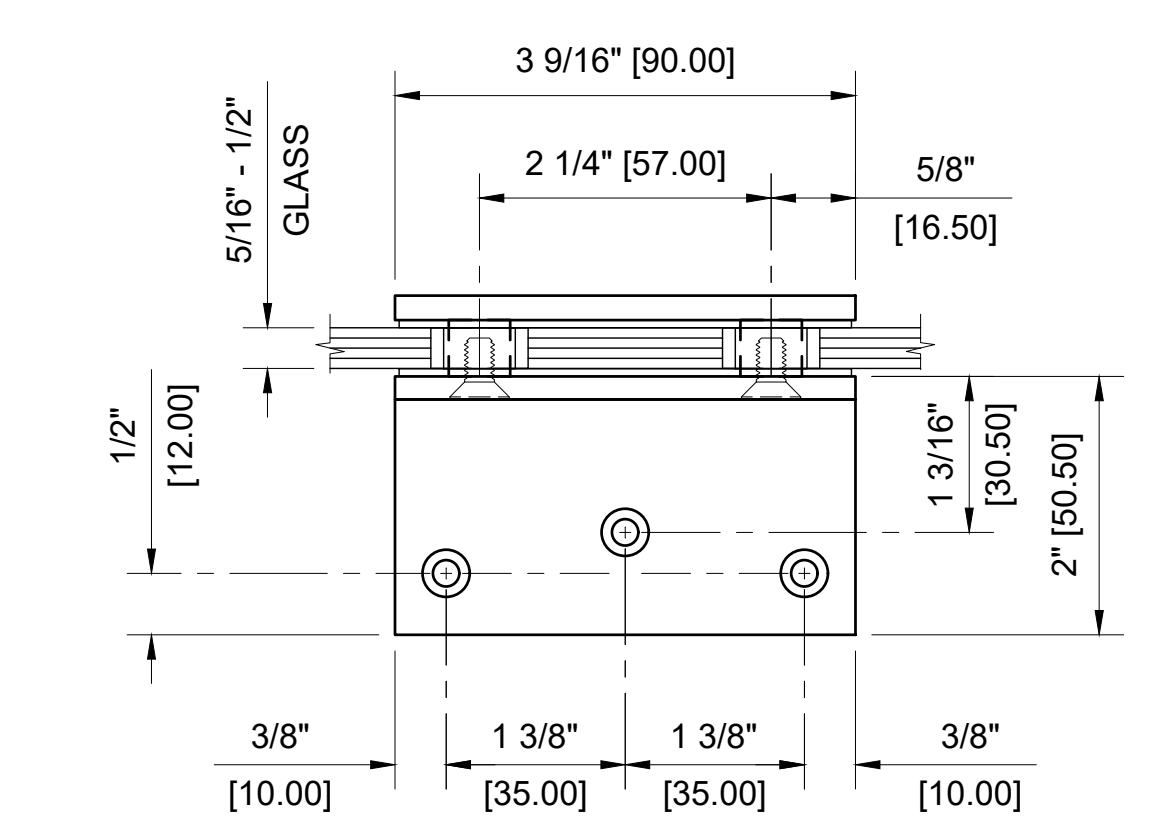


GLASS: 5/16" (8mm)
GLASS: 3/8" (10mm)
GLASS: 1/2" (12mm)



CRL - GE90S GENEVA SERIES WALL MOUNT GLASS BRACKET FOR 5/16" - 1/2" GLASS

DATE: 11-18-2020
SCALE: 6"=1'-0"
DRAWN BY: VM

DESCRIPTION: CRL - GE90S GENEVA SERIES WALL MOUNT GLASS BRACKET

C.R. LAURENCE CO. ARCHITECTURAL PRODUCTS  
 2503 E. Vernon Avenue, Los Angeles, CA 90058-1897  
 PH (800)-421-6144 FX: 800-587-7501 www.crlaurence.com

