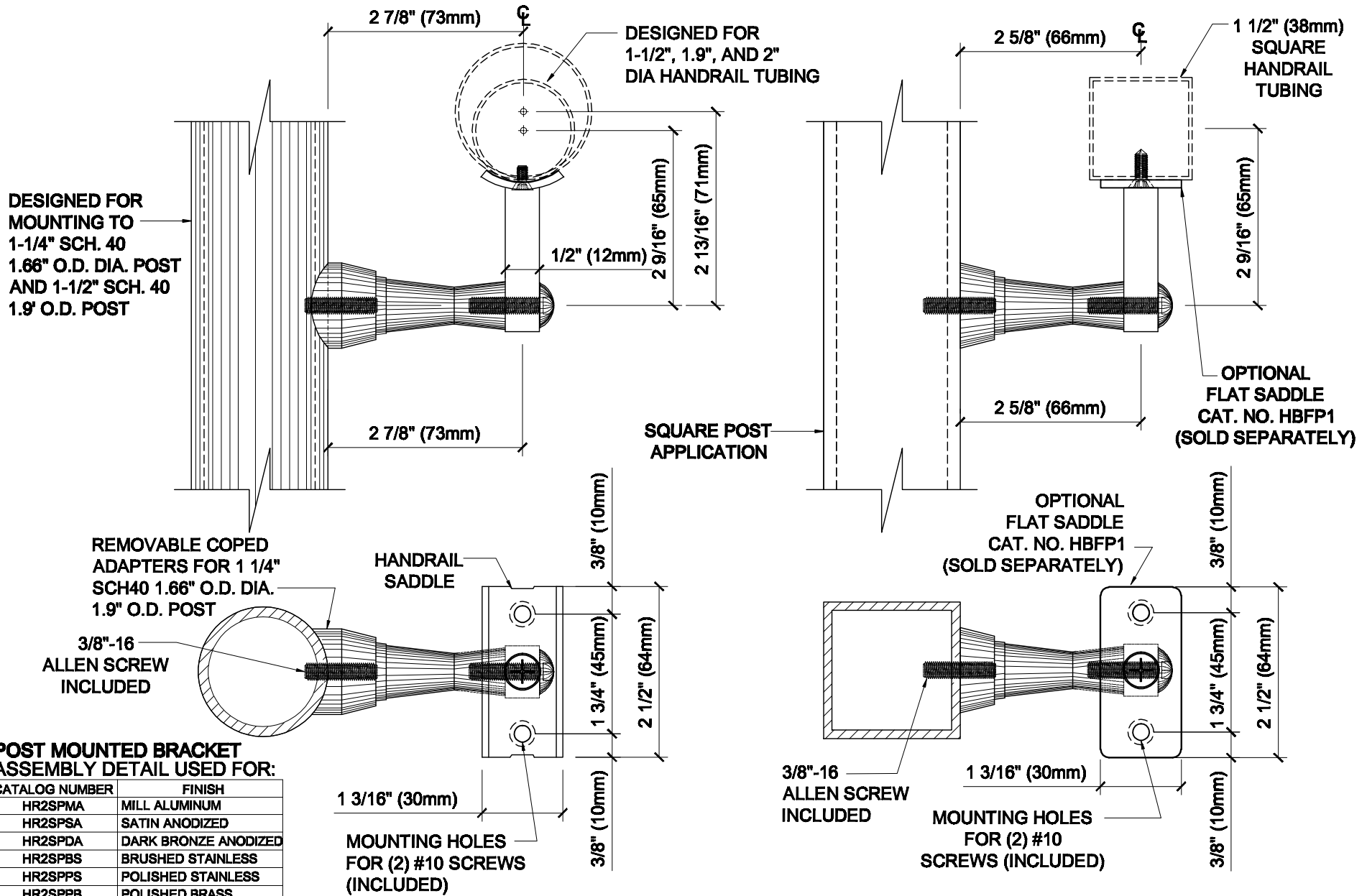


# CRL 2-WAY ADJUSTABLE CONCEALED POST MOUNTED HAND RAIL BRACKET FOR ROUND POST AND FLAT POST APPLICATIONS



**POST MOUNTED BRACKET  
ASSEMBLY DETAIL USED FOR:**

CATALOG NUMBER	FINISH
HR2SPMA	MILL ALUMINUM
HR2SPSA	SATIN ANODIZED
HR2SPDA	DARK BRONZE ANODIZED
HR2SPBS	BRUSHED STAINLESS
HR2SPPS	POLISHED STAINLESS
HR2SPPB	POLISHED BRASS

**MOUNTING HOLES  
FOR (2) #10  
SCREWS  
(INCLUDED)**



**ARCHITECTURAL PRODUCTS**  
PH: 800-421-6144 FX: 800-282-3298  
WWW.CRLAURENCE.COM

**DESCRIPTION:**  
**POST MOUNTED BRACKET ASSEMBLY**  
**FOR 1-1/4" SCH40, 1.5" SCH40, AND 2" DIA HANDRAIL TUBING**

<b>CAT. NO:</b> (SEE CHART)	<b>DATE:</b> 04/22/08
<b>FILE NAME:</b> HR2SP	<b>SCALE:</b> N.T.S.
<b>DRAWN BY:</b> R.A.	<b>CHECKED BY:</b> C.H.
<b>SHT 1 OF 1</b>	