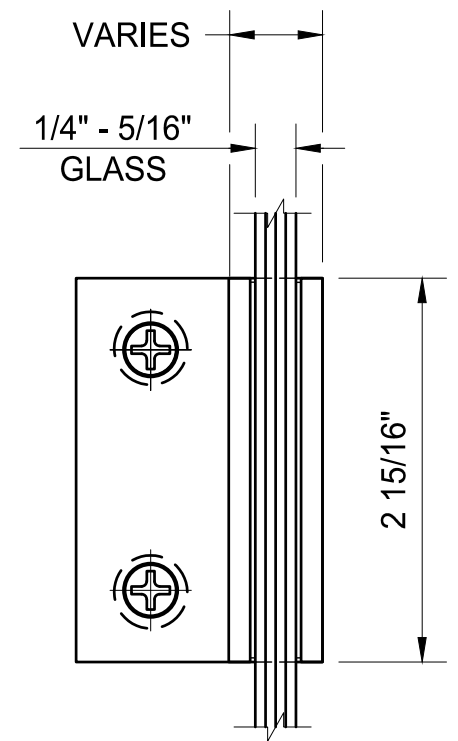
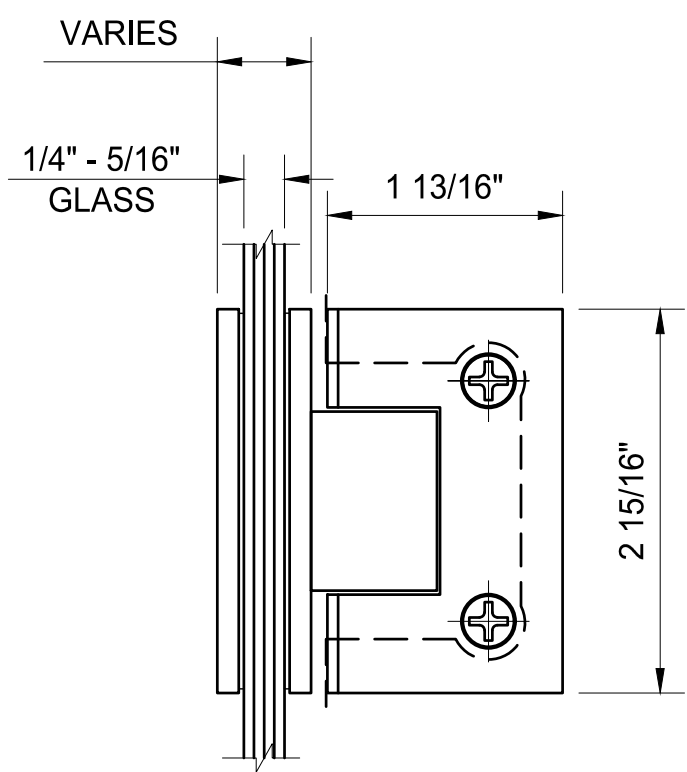
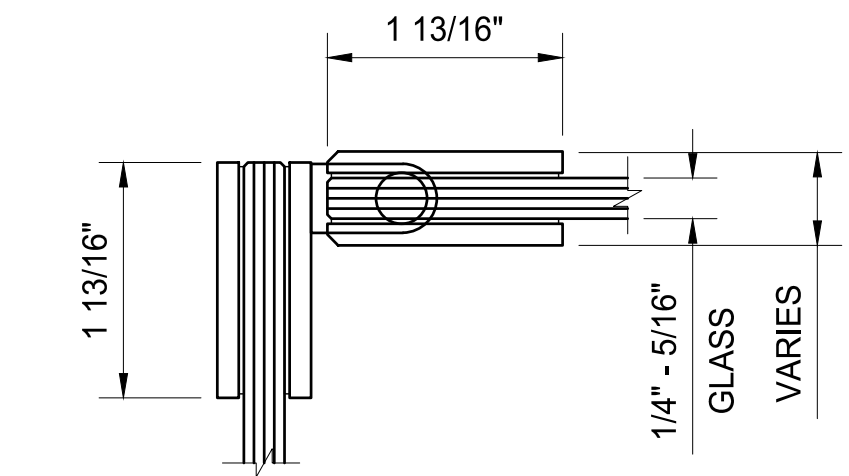


USE OF GASKETS	
FOR 1/4" (6mm) GLASS: USE ONE THICK GASKET ON EACH SIDE	
FOR 5/16" (8mm) GLASS: USE ONE THIN GASKET ON EACH SIDE	



CATALOG NUMBER	FINISH
JRG092CH	CHROME
JRG092BR	BRASS
JRG092BN	BRUSHED NICKEL
JRG092SC	SATIN CHROME

JRG092XX - CRL JUNIOR GENEVA 092 SERIES 90° GLASS TO GLASS HINGE

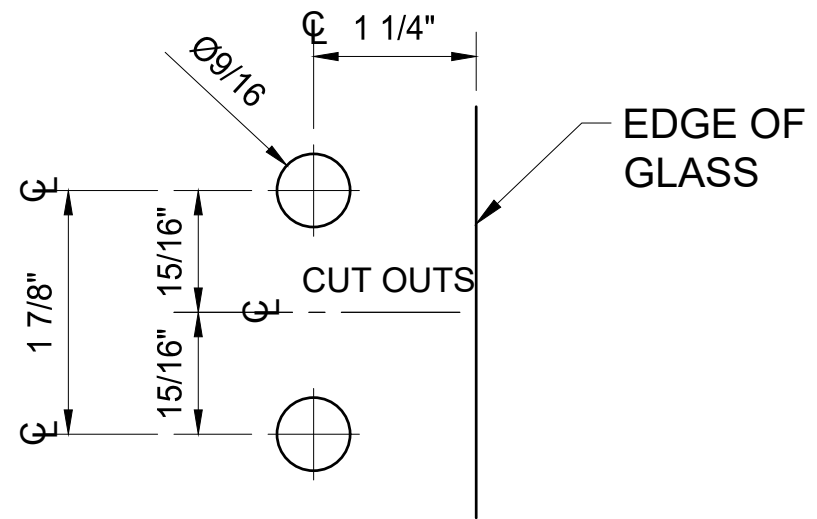
DATE:	1/18/19
SCALE:	6"=1'-0"
DRAWN BY:	VM

DESCRIPTION: CRL JRG092__
CTS
CRL JUNIOR GENEVA 092 SERIES
90 DEGREE GLASS TO GLASS HINGE

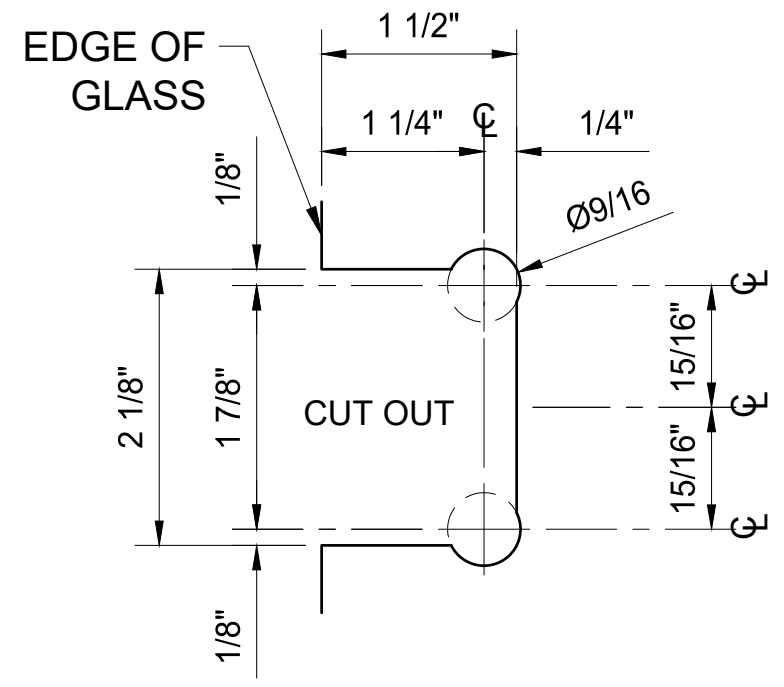
C.R. LAURENCE CO. ARCHITECTURAL PRODUCTS
2503 E. Vernon Avenue, Los Angeles, C.A 90058-1897
PH (800)-421-6144 FX: 800-587-7501 www.crlaurence.com



USE OF GASKETS	
FOR 1/4" (6mm) GLASS: USE ONE THICK GASKET ON EACH SIDE	
FOR 5/16" (8mm) GLASS: USE ONE THIN GASKET ON EACH SIDE	



FABRICATION TEMPLATE FIXED PANEL



FABRICATION TEMPLATE DOOR

CATALOG NUMBER	FINISH
JRG092CH	CHROME
JRG092BR	BRASS
JRG092BN	BRUSHED NICKEL
JRG092SC	SATIN CHROME

JRG092XX - CRL JUNIOR GENEVA HINGE TEMPLATES

DATE:	1/18/19
SCALE:	6"=1'-0"
DRAWN BY:	VM

DESCRIPTION: CRL JRG092_ _
CTS
CRL JUNIOR GENEVA 092 SERIES
90 DEGREE GLASS TO GLASS HINGE

C.R. LAURENCE CO. ARCHITECTURAL PRODUCTS
2503 E. Vernon Avenue, Los Angeles, C.A 90058-1897
PH (800)-421-6144 FX: 800-587-7501 www.crlaurence.com

