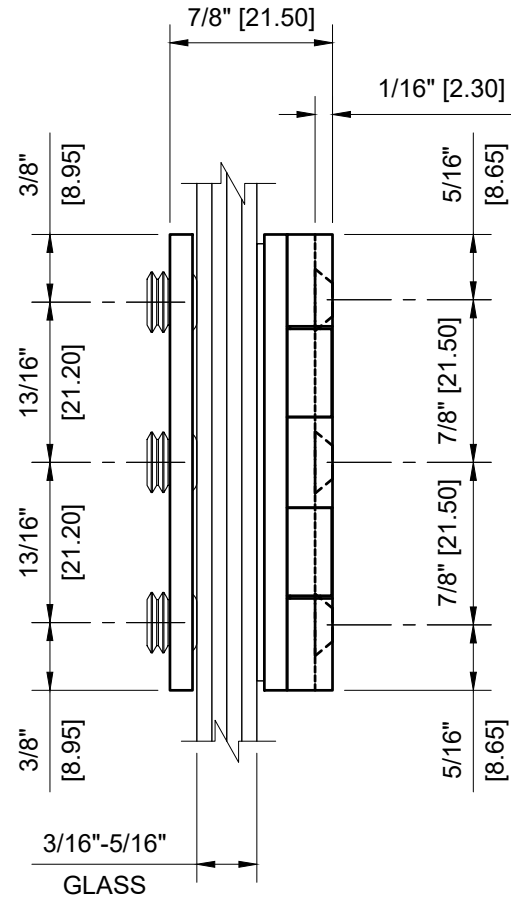
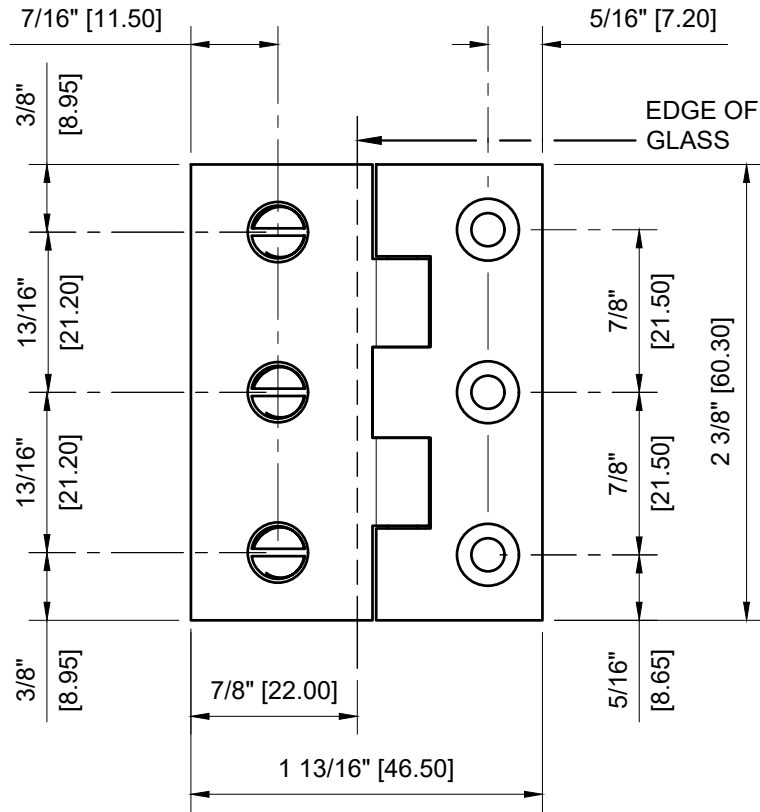
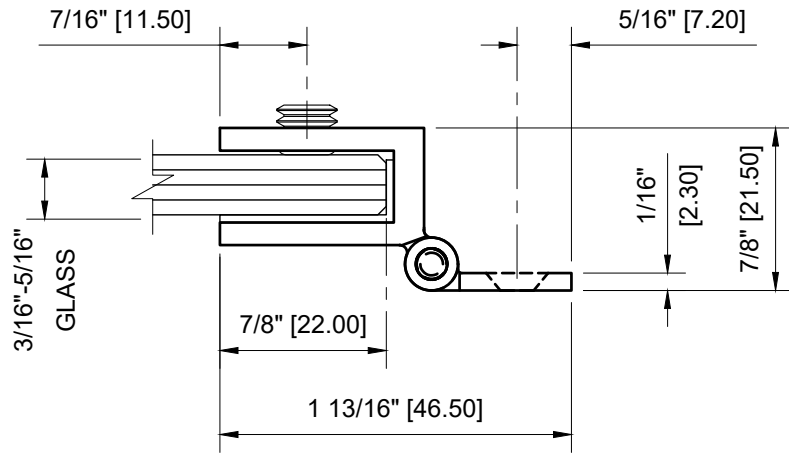
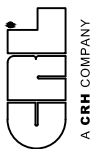


3/16" (5mm) GLASS:  
5/16" (8mm) GLASS:



CRL - EH169 LARGE 2-3/8" WALL MOUNT HINGE FOR 3/16" - 5/16" GLASS

C.R. LAURENCE CO. ARCHITECTURAL PRODUCTS  
2503 E. Vernon Avenue, Los Angeles, CA 90058-1897  
PH (800)-421-6144 FX: 800-587-7501 www.crlaurence.com



DESCRIPTION: CRL - EH169 BRUSHED NICKEL  
LARGE WALL MOUNT SET SCREW HINGE

DATE: 7-17-2020  
SCALE: 1'-0"=1'-0"  
DRAWN BY: VM