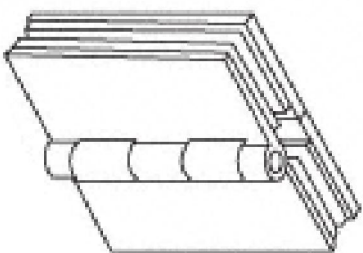
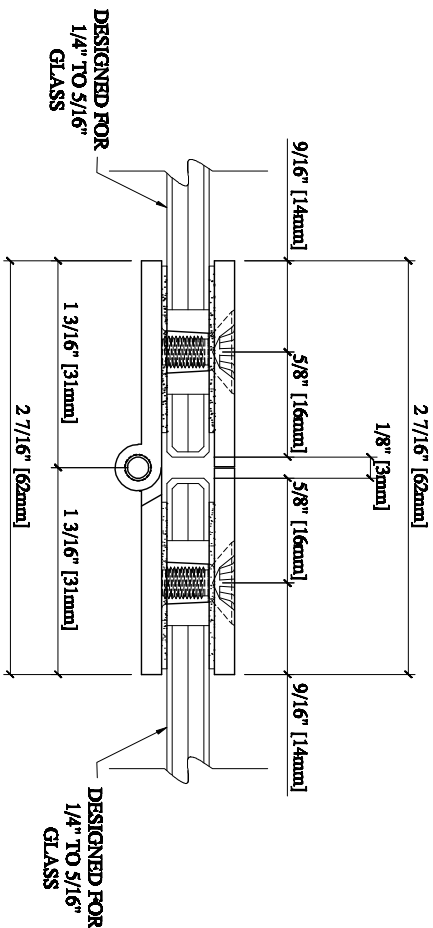


**GLASS FABRICATION**



**DOUBLE GLASS TO GLASS  
INLINE HINGE**

CATALOG NUMBER	FINISH
EH240	BRASS
EH242	CHROME

NOTE : THE MAXIMUM RECOMMENDED DOOR WIDTH IS 22" (559 mm) AND A MAXIMUM WEIGHT OF 30 lbs (13.6 kg)

**ALWAYS USE DIMENSIONS SHOWN ON THE PLAN,  
DO NOT SCALE OR DIMENSION ACTUAL DRAWING  
TO ENSURE ACCURACY**

**CRL** ARCHITECTURAL PRODUCTS  
 PHONE: 800-421-6144 FAX: 800-262-3299  
 WWW.CRLARCHITECTURE.COM

DESCRIPTION: **GLASS-TO-GLASS INLINE SHOWCASE HINGE**  
 FOR 1/4" (6mm) TO 5/16" (8mm) GLASS

CAT. NO: (SEE CHART)	DATE:
FILE NAME: EH240 & EH242	SCALE: N.T.S.
DRAWN BY: <i>g. p. d.</i>	CHECKED BY: C.H.
	SHEET 1 OF 1