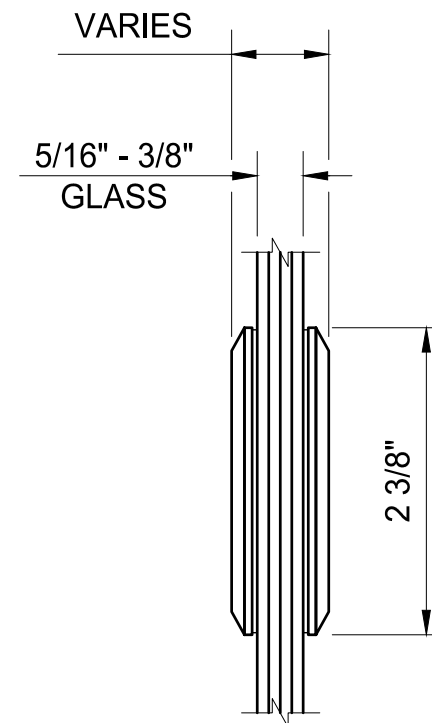
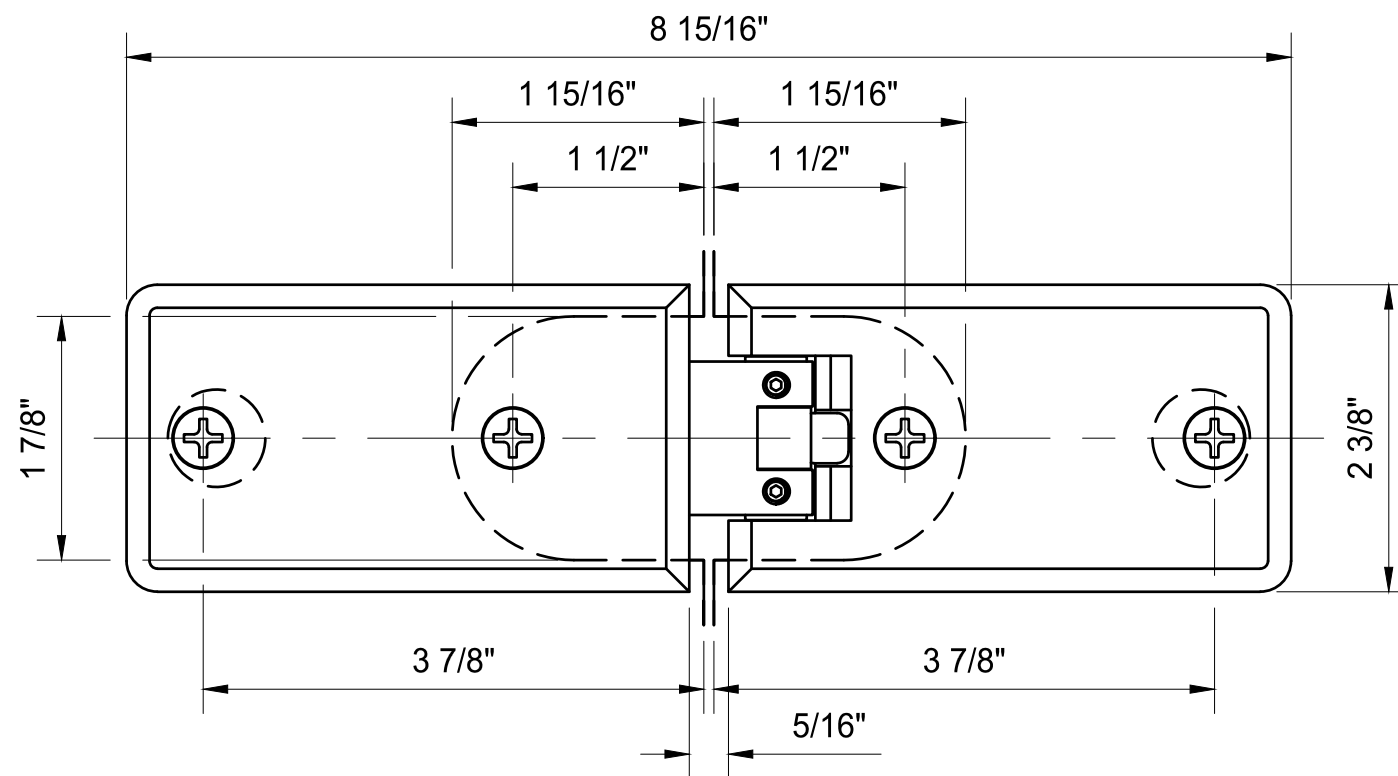
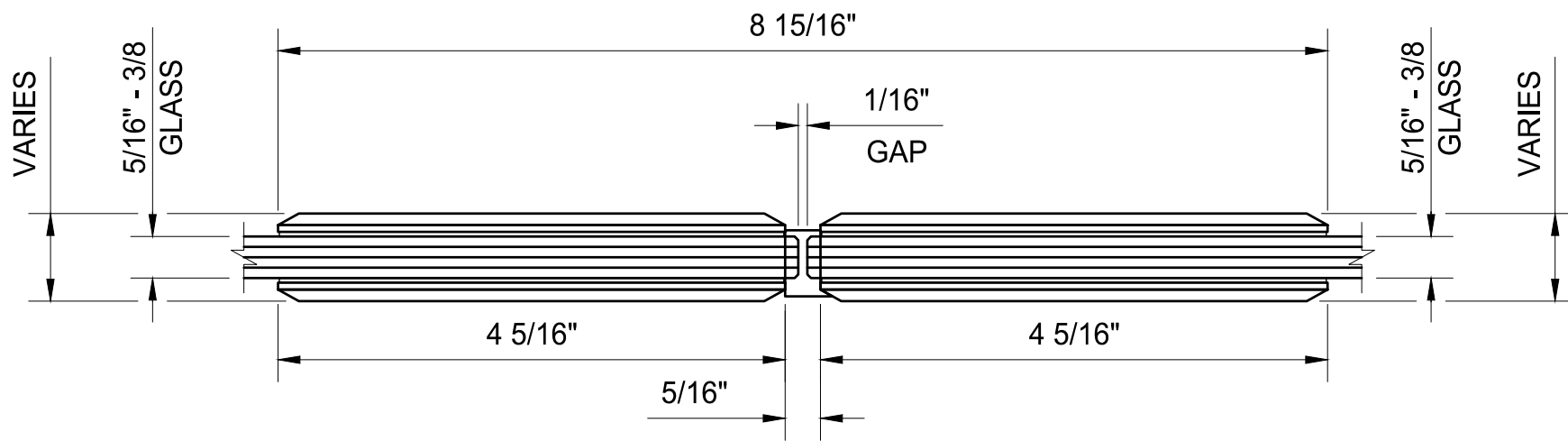


USE OF GASKETS
 FOR 5/16" (8mm) GLASS: USE ONE THICK GASKET ON EACH SIDE
 FOR 3/8" (10mm) GLASS: USE ONE THIN GASKET ON ONE SIDE AND ONE THICK GASKET ON THE OTHER SIDE



CATALOG NUMBER	FINISH
GRA380BN	BRUSHED NICKEL
GRA380BR	BRASS
GRA380CH	CHROME
GRA380SC	SATIN CHROME

GRA380XX - CRL GRANDE SERIES ADJUSTABLE 180° GLASS TO GLASS HINGE

DATE: 1/15/19
 SCALE: 6"=1'-0"
 DRAWN BY: VM

DESCRIPTION: CRL GRA380__
 CTS
 CRL GRANDE SERIES
 ADJUSTABLE 180° GLASS TO GLASS HINGE

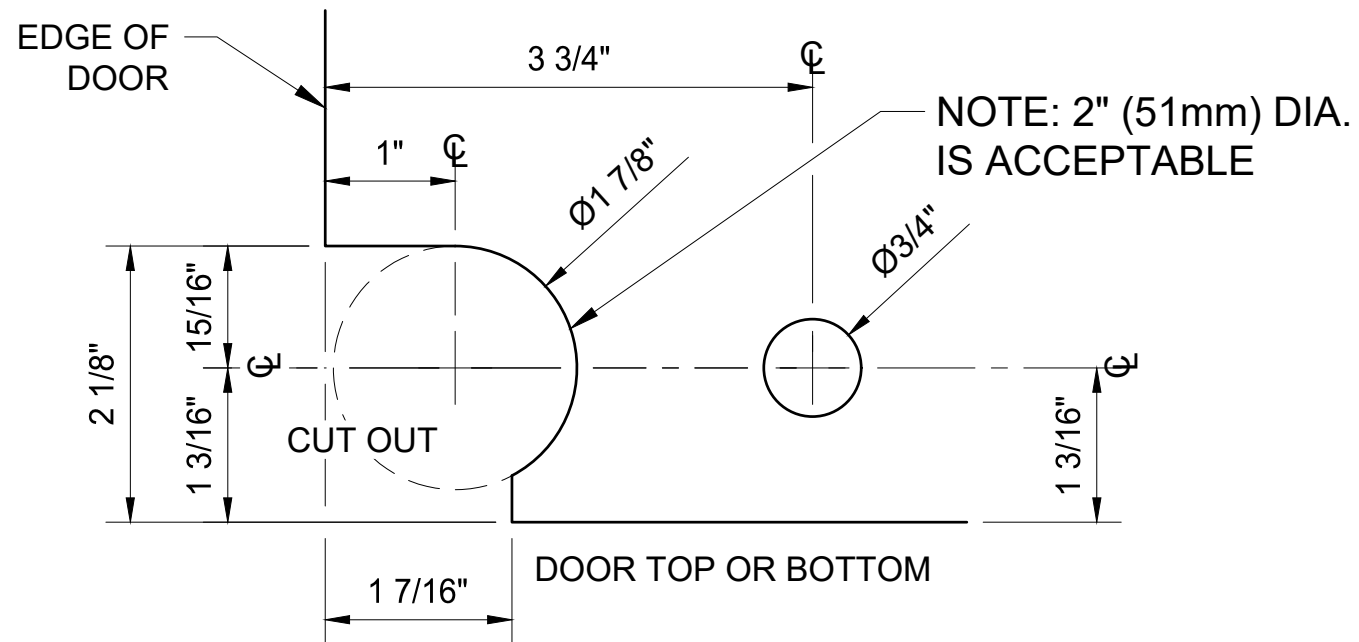
C.R. LAURENCE CO. ARCHITECTURAL PRODUCTS
 2503 E. Vernon Avenue, Los Angeles, C.A 90058-1897
 PH (800)-421-6144 FX: 800-587-7501 www.crlaurence.com



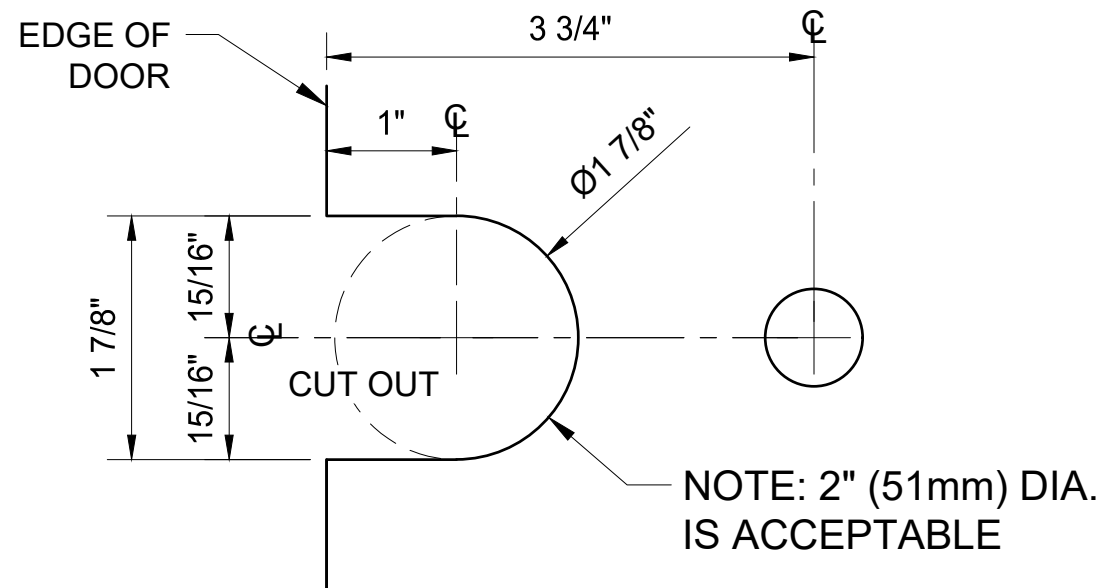
USE OF GASKETS

FOR 5/16" (8mm) GLASS: USE ONE THICK GASKET ON EACH SIDE

FOR 3/8" (10mm) GLASS: USE ONE THIN GASKET ON ONE SIDE AND ONE THICK GASKET ON THE OTHER SIDE



GLASS FABRICATION TOP & BOTTOM CORNER MOUNT OPTION



GLASS FABRICATION OFFSET MOUNT OPTION

CATALOG NUMBER	FINISH
GRA380BN	BRUSHED NICKEL
GRA380BR	BRASS
GRA380CH	BRUSHED NICKEL
GRA380SC	SATIN CHROME

GRA380XX - CRL GRANDE HINGE TEMPLATE

DATE: 1/15/19
SCALE: 6"=1'-0"
DRAWN BY: VM

DESCRIPTION: CRL GRA380
CTS
CRL GRANDE SERIES
ADJUSTABLE 180° GLASS TO GLASS HINGE

C.R. LAURENCE CO. ARCHITECTURAL PRODUCTS
2503 E. Vernon Avenue, Los Angeles, CA 90058-1897
PH (800)-421-6144 FX: 800-587-7501 www.crlaurence.com

