

# **CRL HYDROSLIDE SERIES SLIDING DOOR KIT MODELS HYDK60 AND HYDK84**



NOTE: Glass and U-Channel not included.

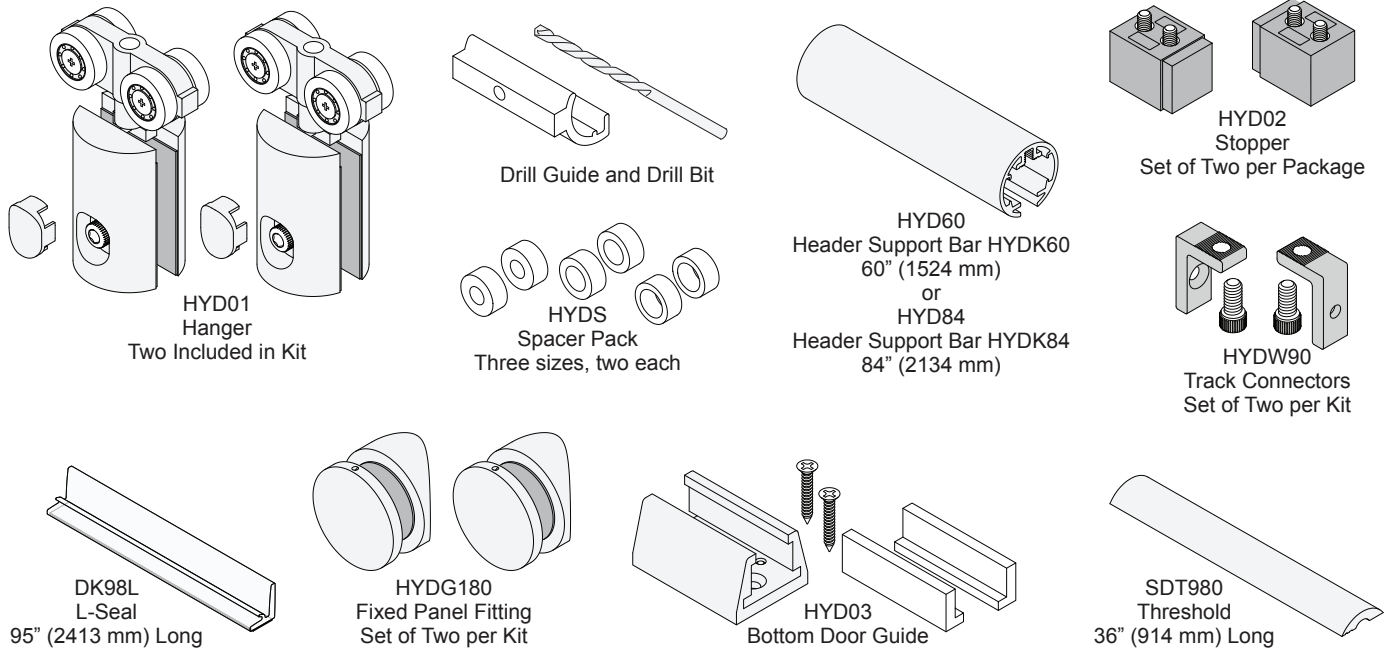
NOTE: This manual covers the installation for HYDK60 and HYDK84 180° Sliding Shower Kits. HYDK60 shown in examples. **Refer to 90° Instructions if enclosure has a 90° angle. Do not use this manual.**

## ORDER OF ASSEMBLY AND INSTALLATION

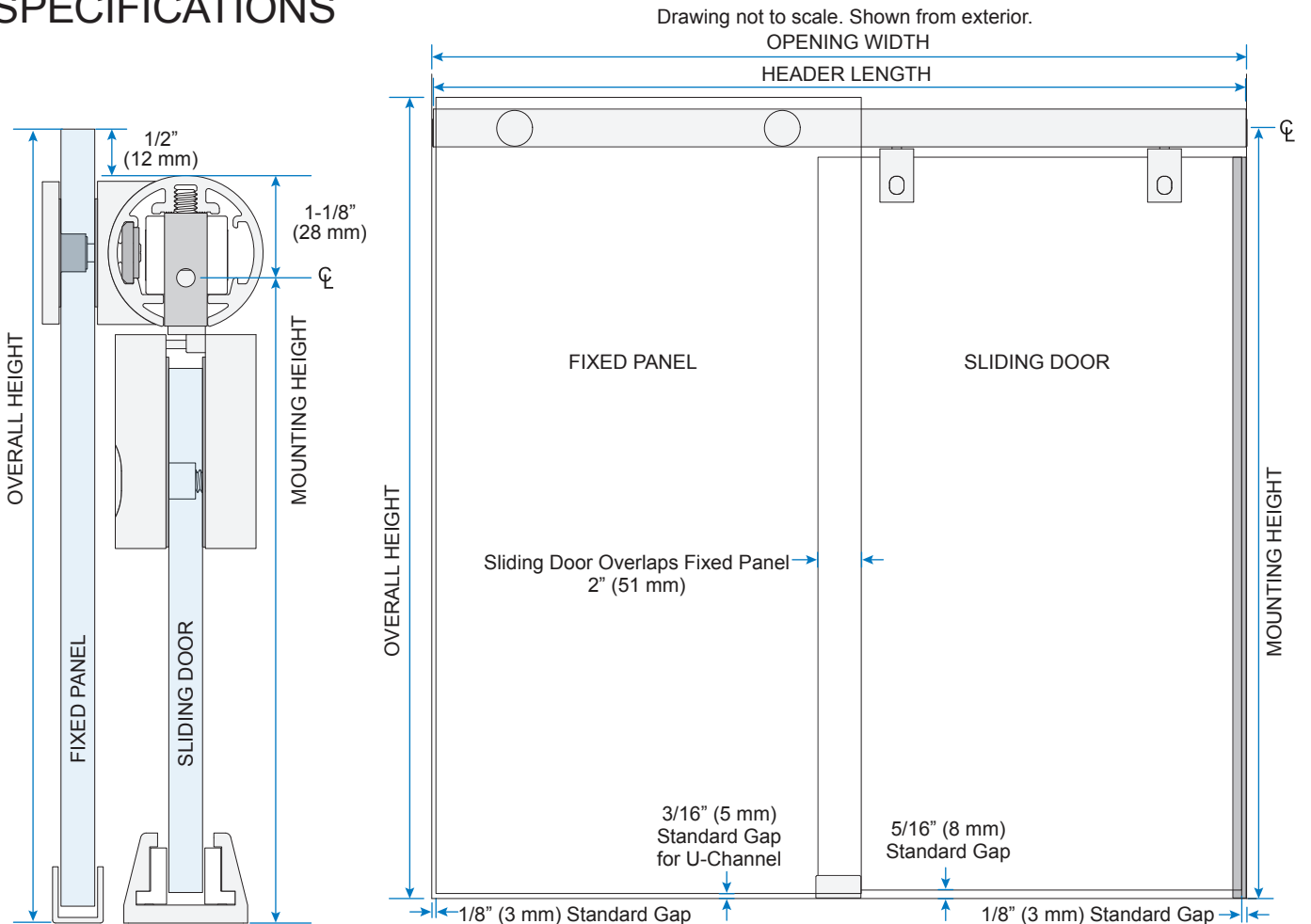
PARTS LIST .....	3
SPECIFICATIONS .....	3
GLASS FABRICATION .....	4
SITE PREPARATION .....	5
Mark Location for Header Support Bar .....	5
FRAME FABRICATION .....	5
Cut and Drill Header Support Bar .....	5
HEADER SUPPORT BAR PREPARATION .....	6
Install Fixed Panel Fittings .....	6
Install Door Hangers .....	6
Install Door Stoppers .....	6
FRAME INSTALLATION .....	7
Mount Track Connectors .....	7
Install Header .....	7
Install Fixed Panel Curb Mounts .....	7
Install Fixed Panel .....	7
SLIDING DOOR INSTALLATION .....	8
Install Bottom Door Guide .....	8
Install Sliding Door .....	8
FINISHING .....	9
Position Door Stoppers .....	9
Install Hanger Trim Plates .....	9
Install Threshold (Optional) .....	9
Install L-Seal .....	9

**IMPORTANT: READ THIS MANUAL THOROUGHLY BEFORE BEGINNING INSTALLATION.**

# PARTS LIST

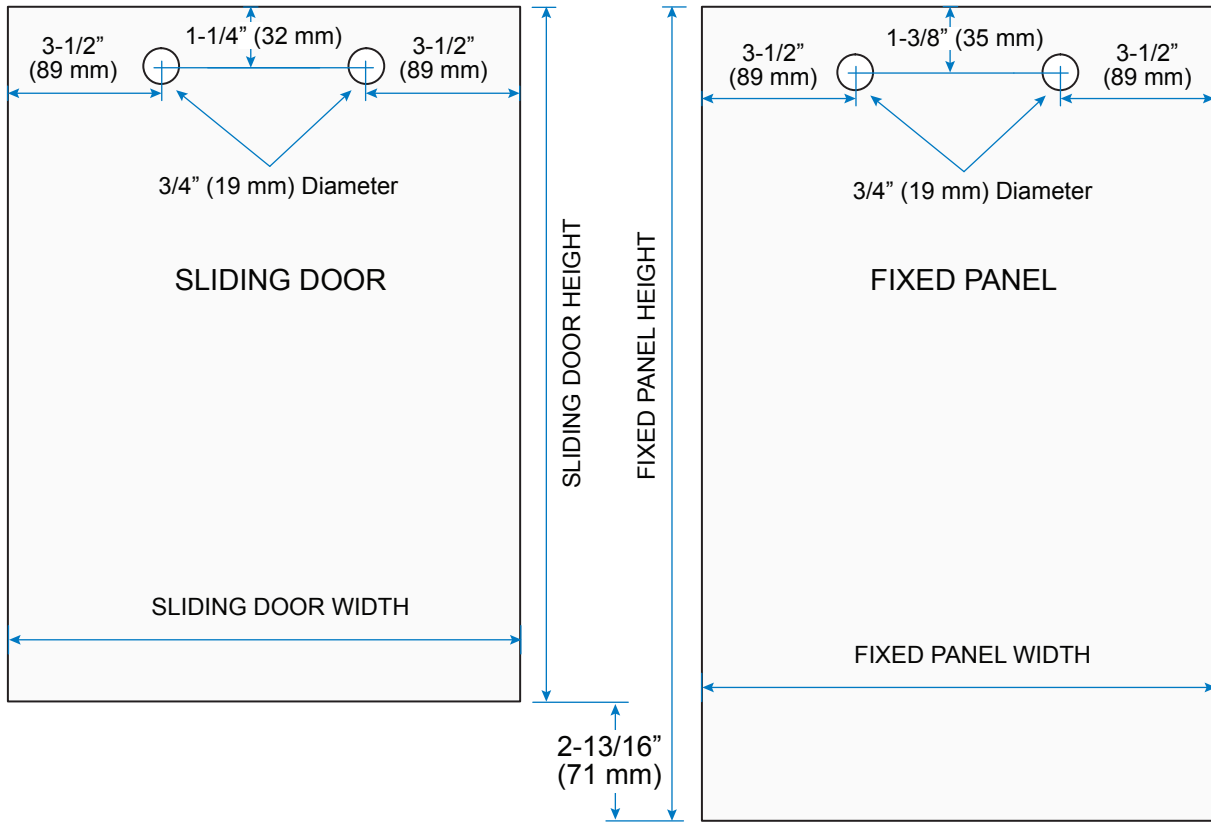


# SPECIFICATIONS

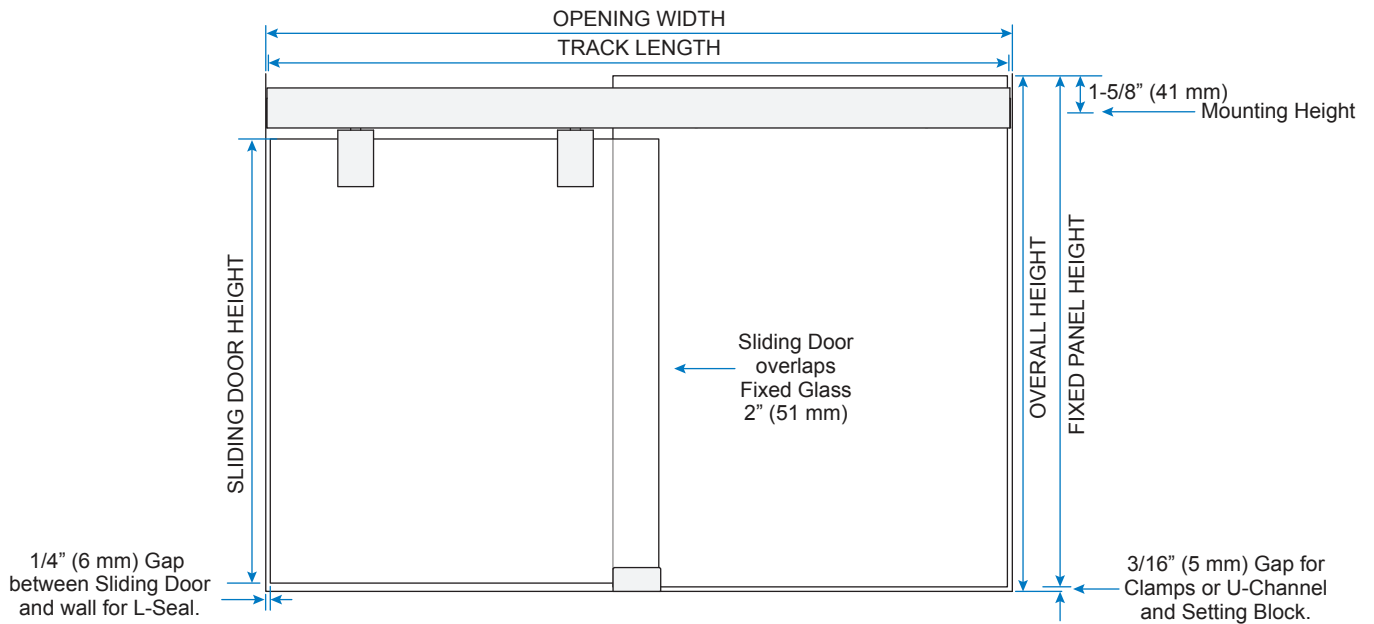


# GLASS FABRICATION

NOTE: For use with 5/16" to 3/8" (8 - 10 mm) Tempered Glass only. Do Not use Laminated Glass.



SLIDING DOOR AND FIXED PANEL WIDTH : Overall Width Divided by 2, plus 7/8" (22 mm)  
 FIXED PANEL HEIGHT : Overall Height minus 3/16" (5 mm)  
 SLIDING DOOR HEIGHT : Overall Height minus 3" (76 mm)

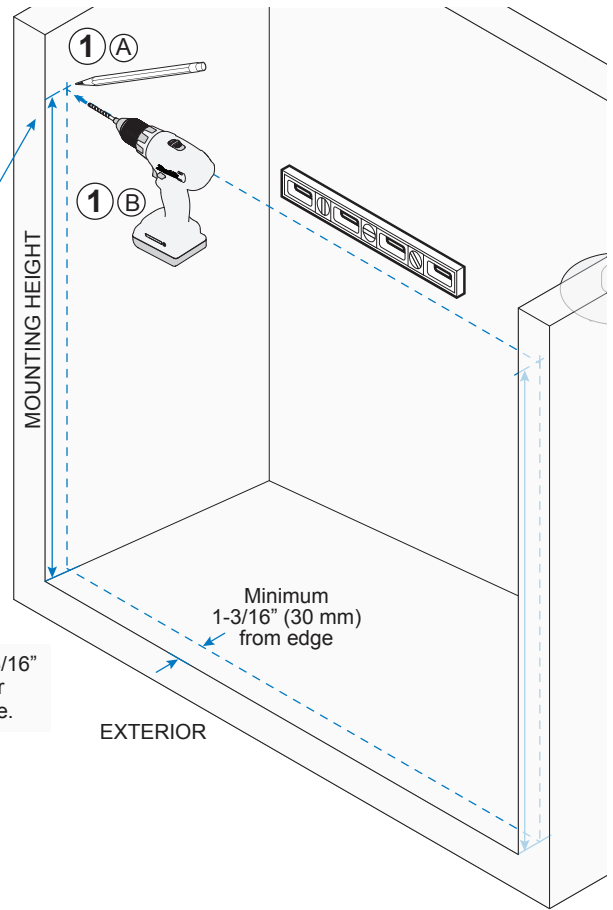
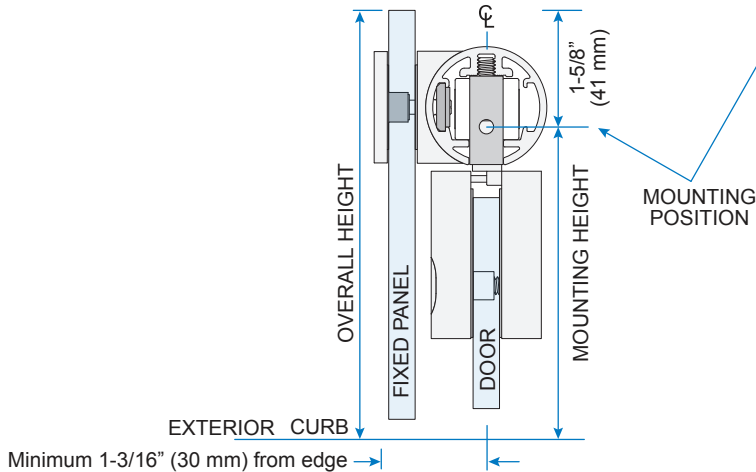


NOTE: Drawings not shown to scale. Track is cut 1/16" (1.5 mm) less than Opening Width and centered in opening. Overall Height is height from curb/floor to top of fixed glass. Drawings shown from interior.

# SITE PREPARATION

## Mark Location for Header Support Bar

- 1 Mark and drill holes for Header Support Bar.



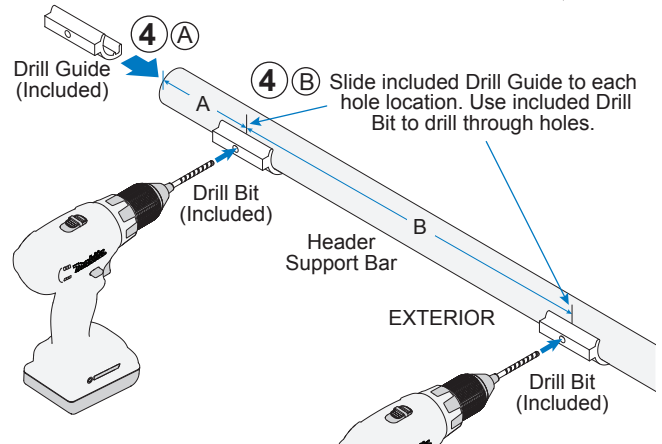
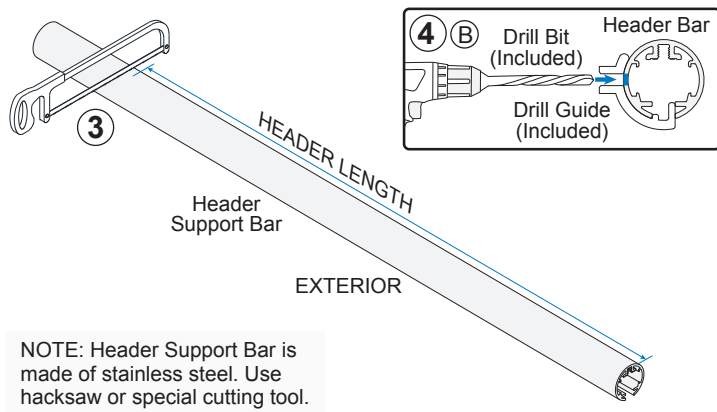
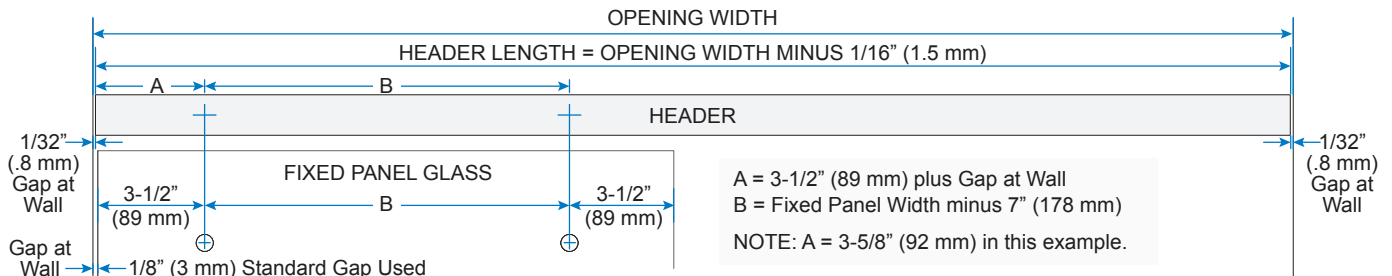
NOTE: Header Support Bar is generally centered to vertical jamb. Allow at least 1-3/16" (30 mm) from edge to install Bottom Guide. Fixed Panel mounted to outside Header Support Bar shown in this manual. Mirror instructions to mount Fixed Panel to inside.

# FRAME FABRICATION

## Cut and Drill Header Support Bar

- 2 Measure opening width at mounting points.
- 3 Cut HYD60 Header Support Bar.
- 4 Drill holes for Fixed Panel Fittings.

NOTE: Header Support Bar is cut 1/16" (1.5 mm) short from tight dimension and centered in opening, leaving 1/32" (.8 mm) gap on each end to mount. Refer to Fixed Panel Glass fabrication and gap allowance between Fixed Panel and wall to determine mounting hole placement.

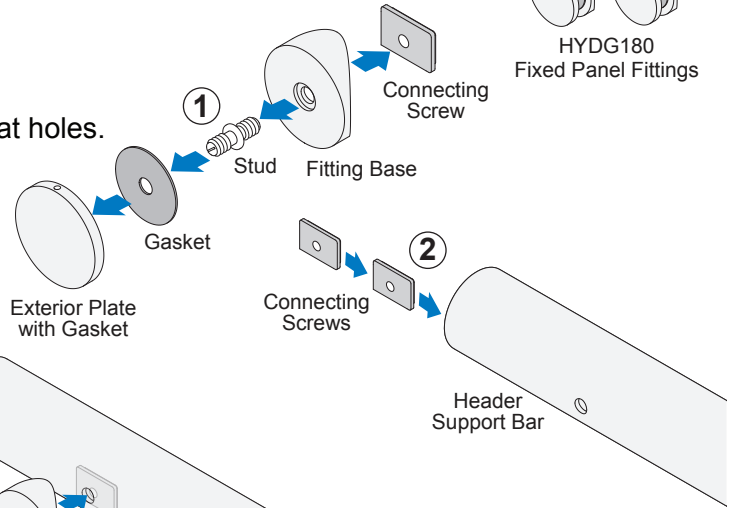
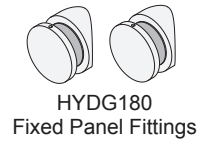


NOTE: Header Support Bar is made of stainless steel. Use hacksaw or special cutting tool.

# HEADER SUPPORT BAR PREPARATION

## Install Fixed Panel Fittings

- ① Unpack and disassemble Fixed Panel Fittings.
- ② Slide Connecting Screws into Header and align at holes.
- ③ Install Fixed Panel Fitting Base.



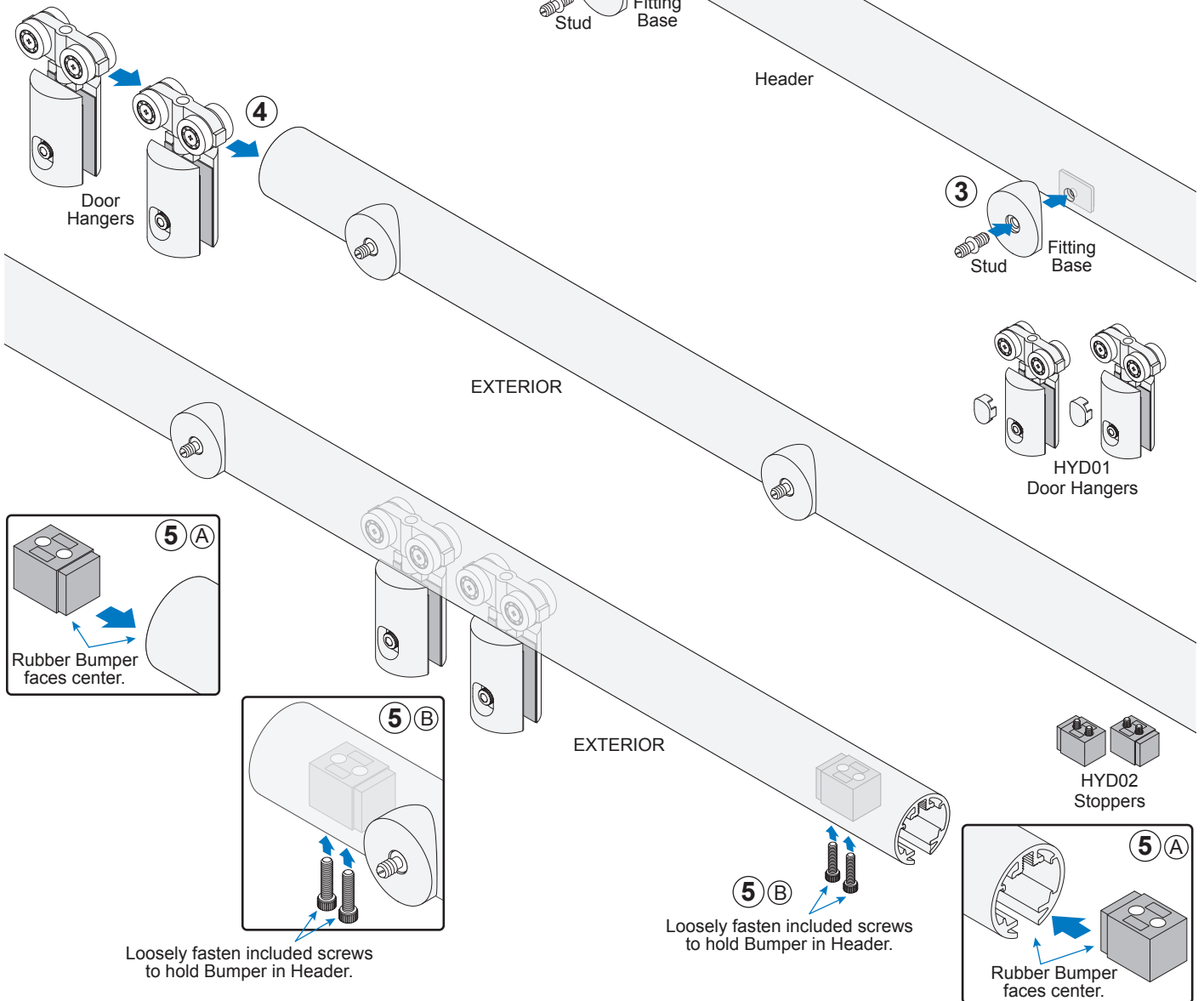
## Install Door Hangers

- ④ Unpack and slide Door Hangers into Header.

## Install Door Stoppers

- ⑤ Unpack and install Stoppers on each end of Header.

NOTE: Orient Stoppers with Rubber Bumpers facing center. Loosely secure in Header with included screws.



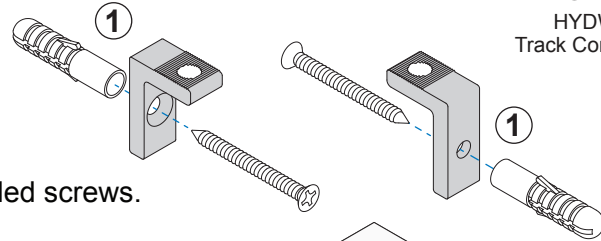
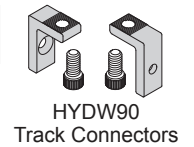
# FRAME INSTALLATION

## Mount Track Connectors

- 1 Unpack Track Connectors and fasten to wall.

NOTE: Mounting fasteners suitable for substrate supplied by others.

NOTE: Track Connectors shown orientated for installation. Supplied screw used to secure Header Support Bar.



## Install Header

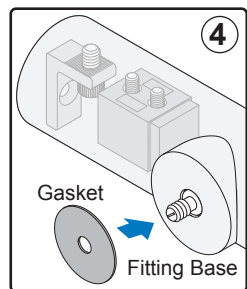
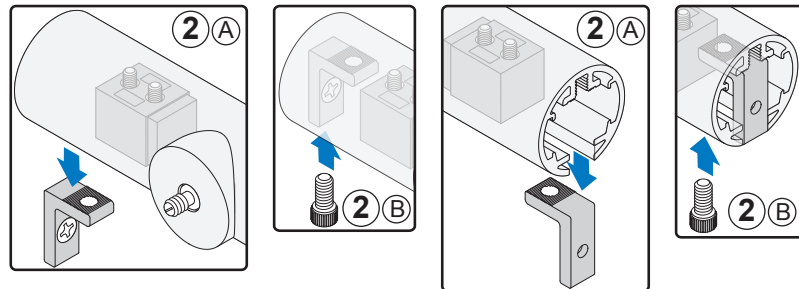
- 2 Rest Header on Connectors and secure with included screws.

## Install Fixed Panel Curb Mounts

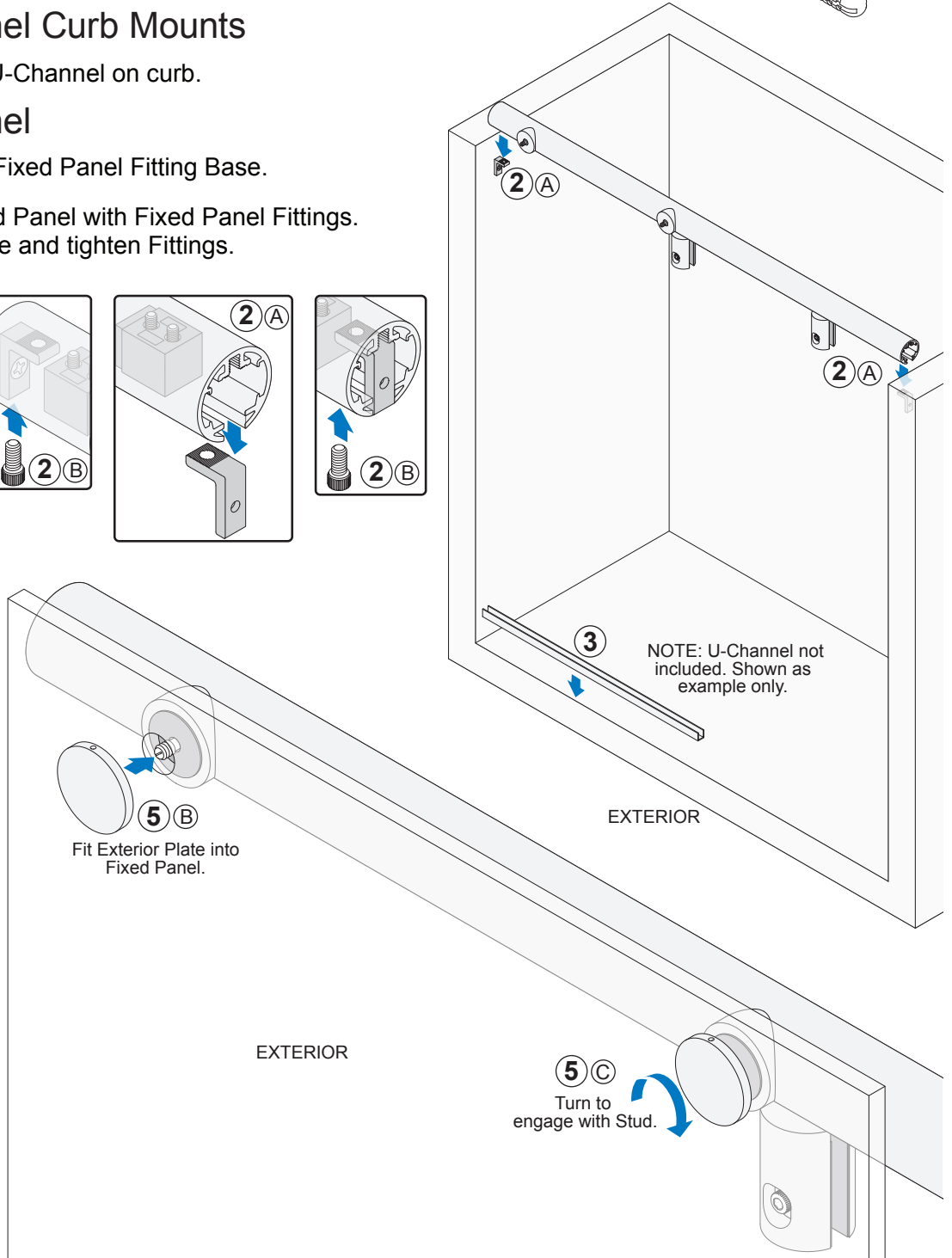
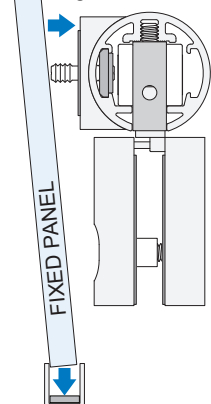
- 3 Mount Clamps or U-Channel on curb.

## Install Fixed Panel

- 4 Place Gaskets on Fixed Panel Fitting Base.
- 5 Align holes in Fixed Panel with Fixed Panel Fittings. Install Exterior Plate and tighten Fittings.



- 5 A Lower Fixed Panel into U-Channel, then align holes with Fittings.





# SLIDING DOOR INSTALLATION

## Install Bottom Door Guide

- 1 Unpack Bottom Door Guide and adjust for door width.

NOTE: Install and position inserts for 5/16" or 3/8" (8 or 10 mm) glass and tighten bottom set screws.

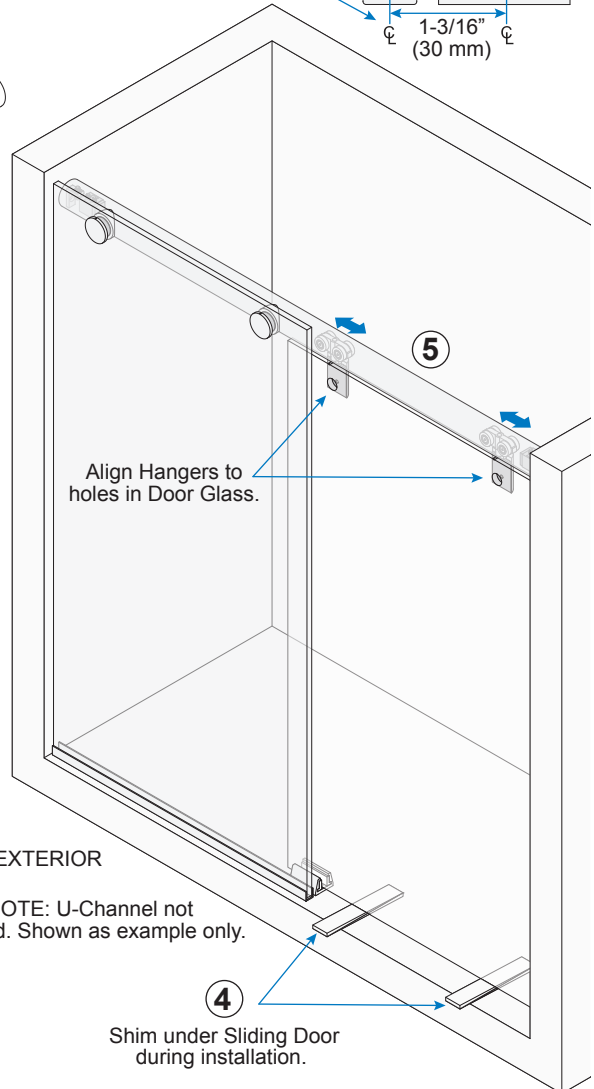
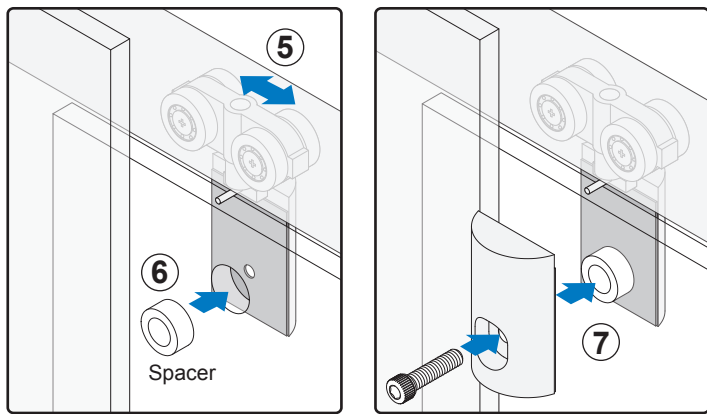
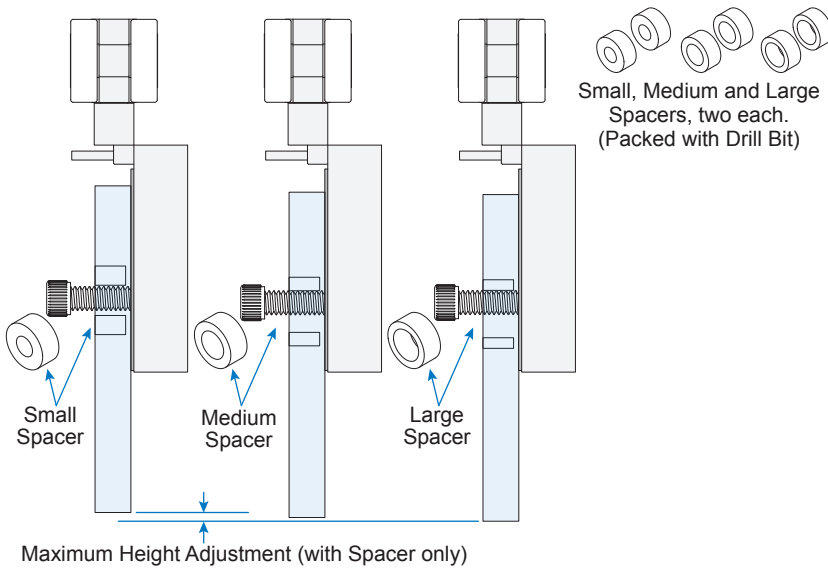
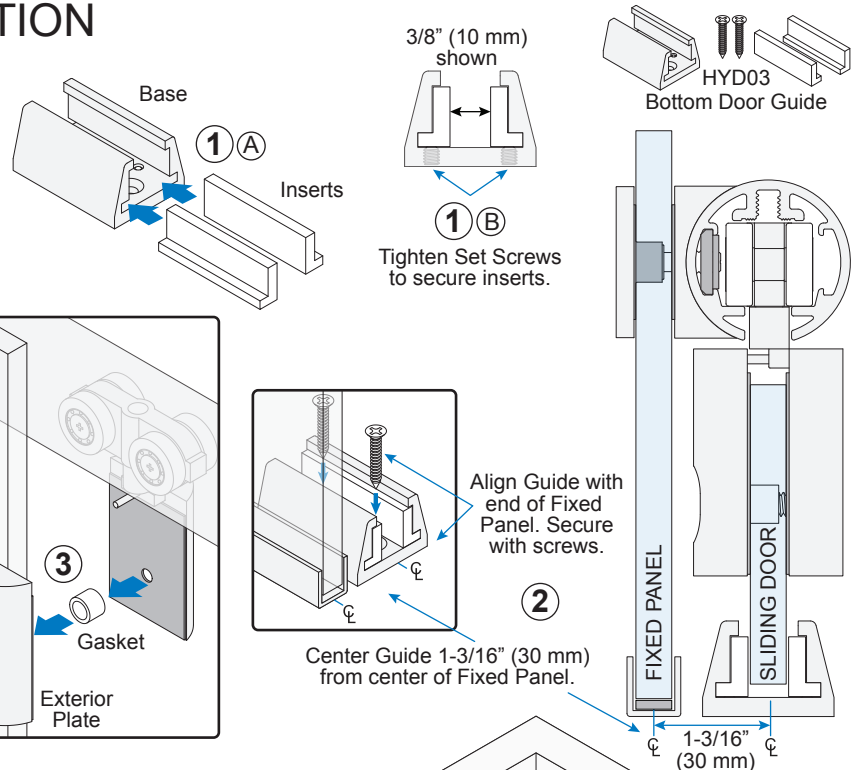
- 2 Install Bottom Guide.

## Install Sliding Door

- 3 Remove Exterior Door Hanger Plates.
- 4 Set Door in opening on tapered wood shims.
- 5 Slide Hangers to align with holes in Door.
- 6 Select and install Spacers.

NOTE: Spacers determine Door height. Hangers only hold glass in place.

- 7 Install Exterior Door Hanger Plates.

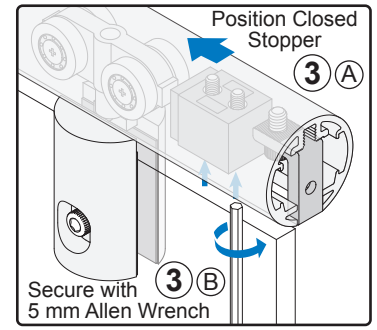
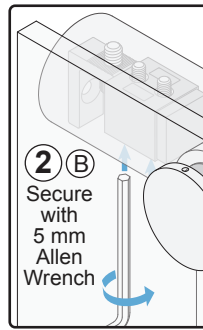
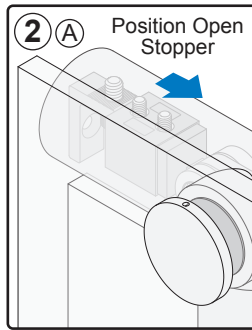




# FINISHING

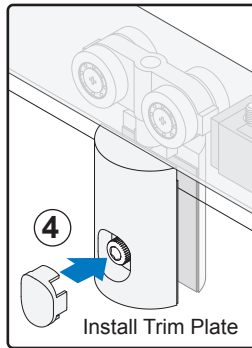
## Position Door Stoppers

- 1 Remove Shims from under door.
- 2 Move Door to desired maximum open position. Slide Stopper so Rubber Bumper contacts Door Panel. Tighten securely.
- 3 Position and tighten second Stopper at maximum closed position.



## Install Hanger Trim Plates

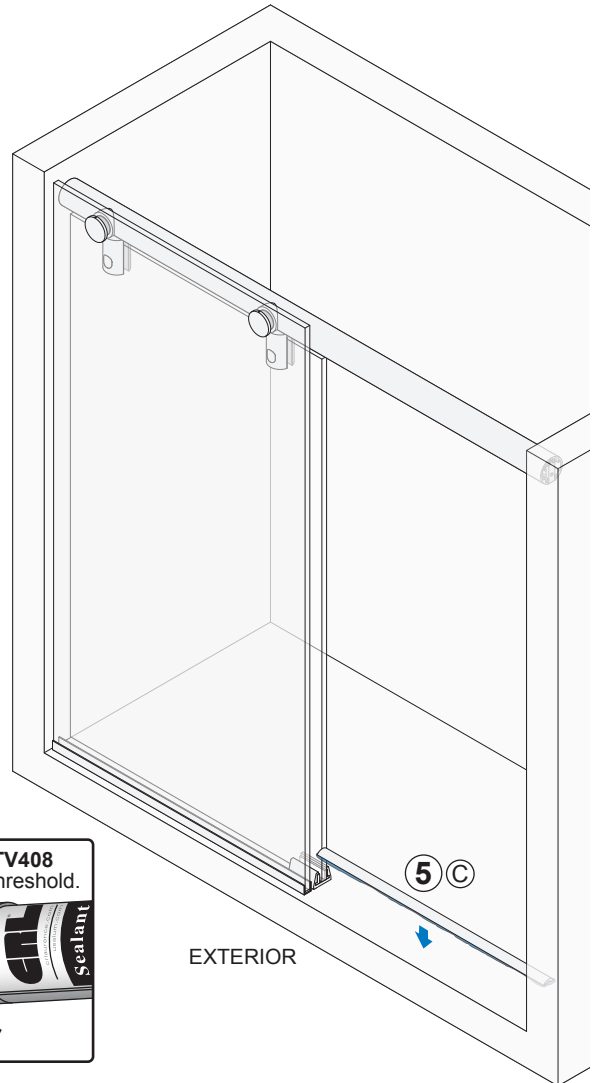
- 4 Install Hanger Trim Plates.



## Install Threshold (Optional)

- 5 Cut and install Threshold.

NOTE: Threshold is made of stainless steel. Cut with hacksaw or special cutting tool.



## Install L-Seal

- 6 Cut and install L-Seal.

