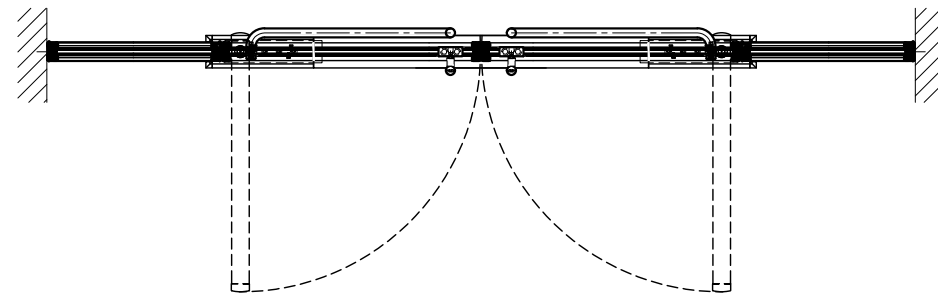
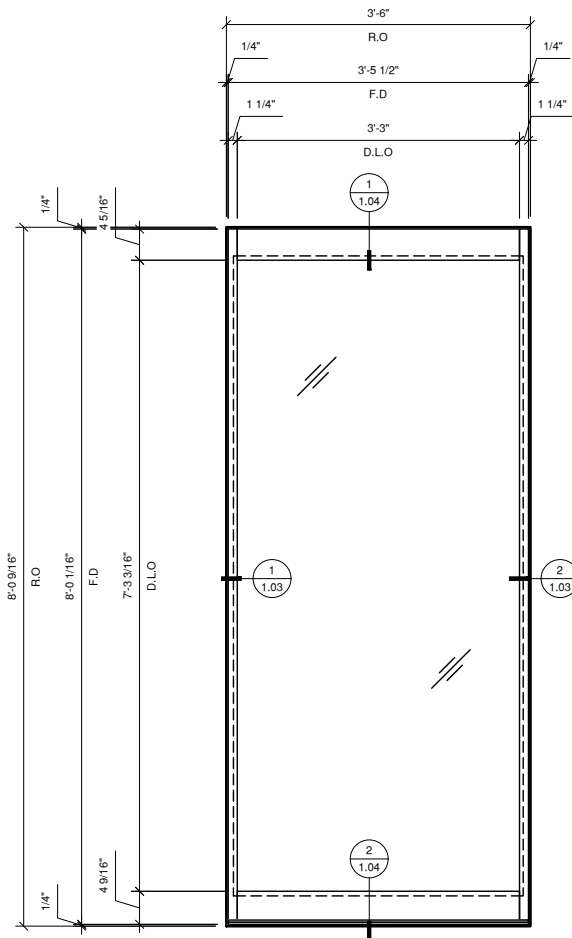


ENTICE SERIES ENTRANCE SYSTEM BS, PS, PB, & SB - CENTER HUNG DOUBLE DOOR WITH 4 INCH BOTTOM RAIL AND SIDELIGHTS

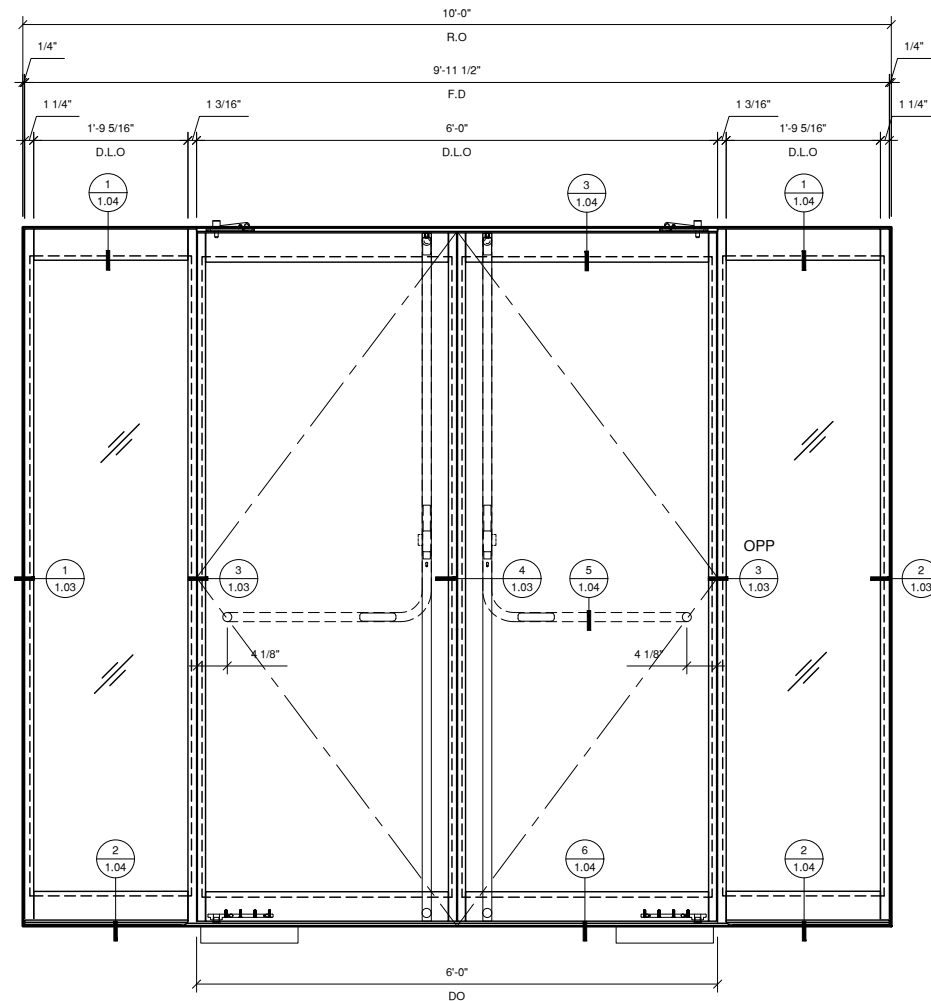


1 PLAN  
1" = 1'-0" ARCH. REF.: N/A

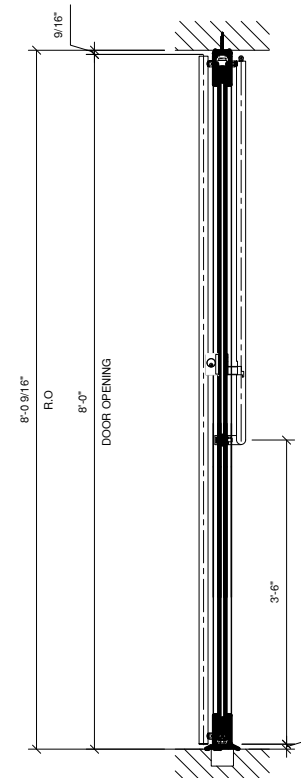
3 PLAN: CENTER HUNG  
1" = 1'-0" ARCH. REF.: N/A



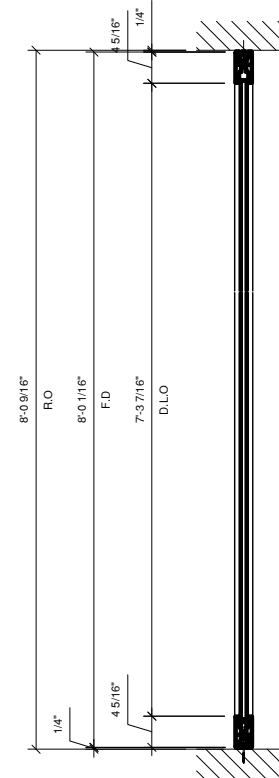
2 EXTERIOR ELEVATION  
1" = 1'-0" ARCH. REF.: N/A



4 EXTERIOR ELEVATION  
1" = 1'-0" ARCH. REF.: N/A



5 DOOR SECTION  
1" = 1'-0" ARCH. REF.: N/A



6 SIDELIGHT SECTION  
1" = 1'-0" ARCH. REF.: N/A

Revisions By:

**CRL**  
A CRH COMPANY

2503 E. Vernon Avenue, Los Angeles, CA 90058-1897  
PH (800)-421-6144 FX: 800-587-7501 www.crlaurence.com

Description:  
ENTICE SERIES  
ENTRANCE SYSTEM  
CLAD IN STAINLESS  
STEEL OR BRASS

Drawn By: RPD  
Date: 01/28/20  
Scale: AS NOTED  
File Name:  
Entice Entrance System BS, PS, PB, SB.dwg

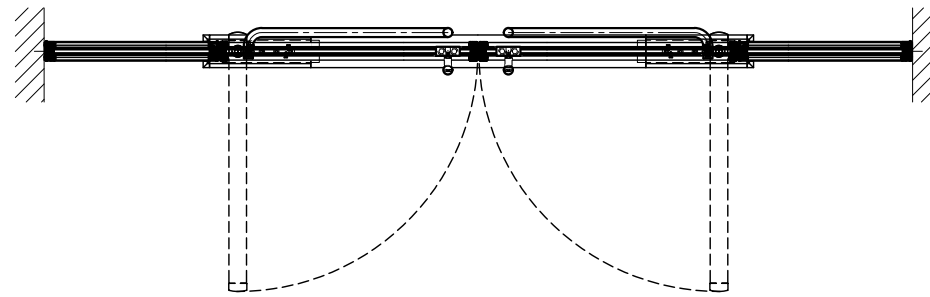
Sheet

1.01

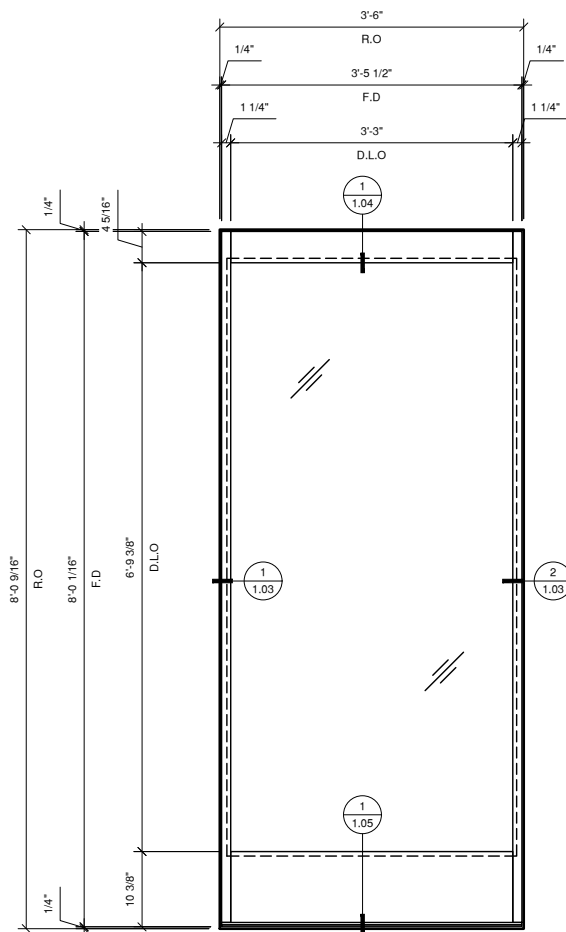
ENTICE SERIES ENTRANCE SYSTEM BS, PS, PB, & SB - CENTER HUNG DOUBLE DOOR WITH 10 INCH BOTTOM RAIL AND SIDELIGHTS



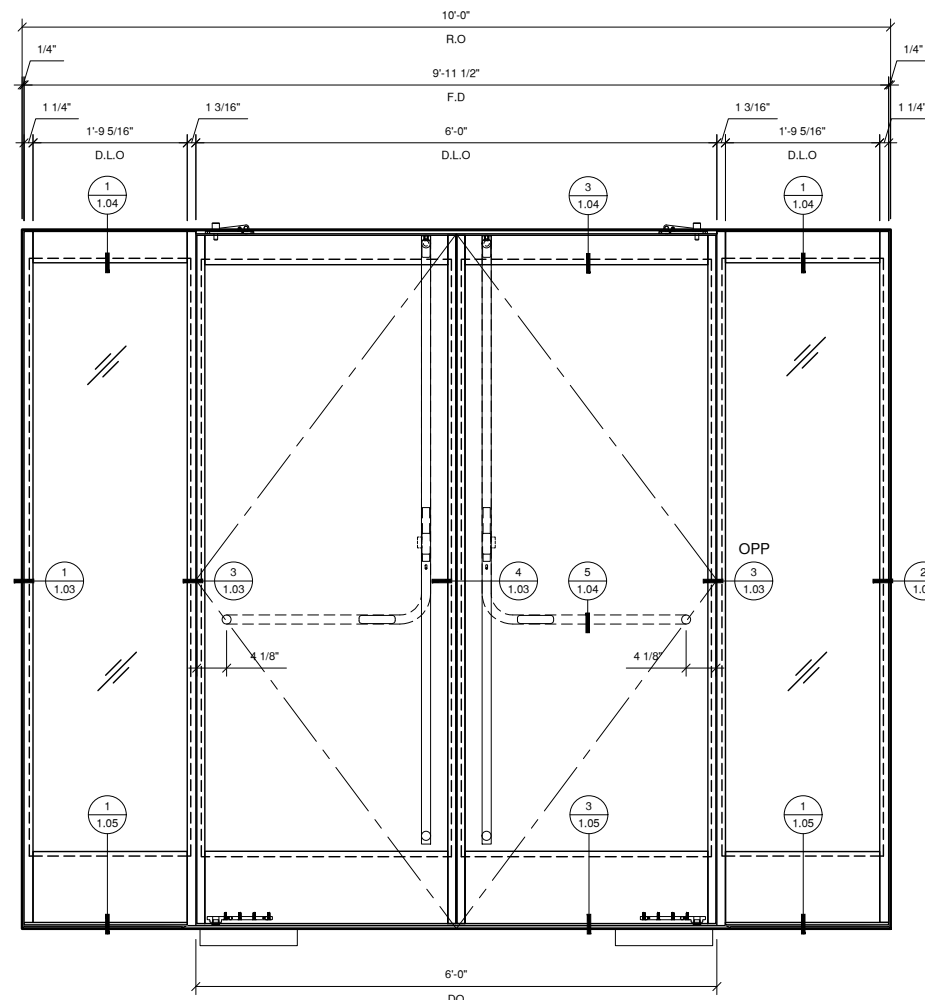
1 PLAN  
1" = 1'-0" ARCH. REF.: N/A



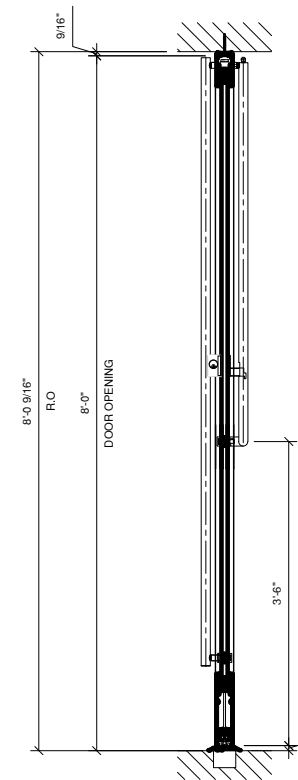
3 PLAN: CENTER HUNG  
1" = 1'-0" ARCH. REF.: N/A



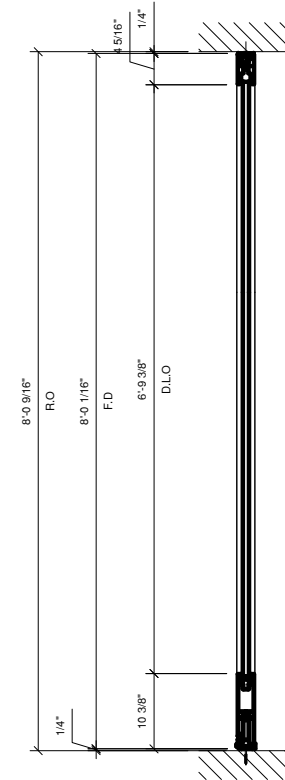
2 EXTERIOR ELEVATION  
1" = 1'-0" ARCH. REF.: N/A



4 EXTERIOR ELEVATION  
1" = 1'-0" ARCH. REF.: N/A



5 DOOR SECTION  
1" = 1'-0" ARCH. REF.: N/A



6 SIDELIGHT SECTION  
1" = 1'-0" ARCH. REF.: N/A

Revisions By:

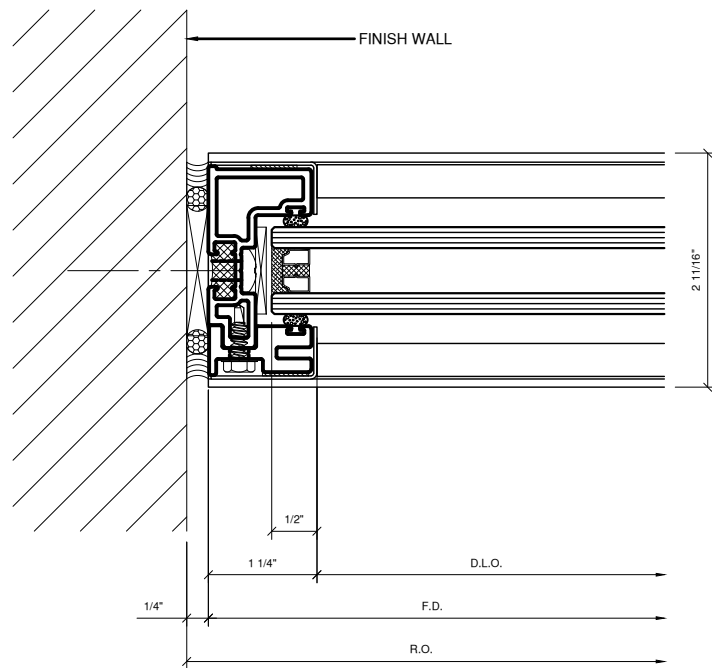


Description:  
ENTICE SERIES  
ENTRANCE SYSTEM  
CLAD IN STAINLESS  
STEEL OR BRASS

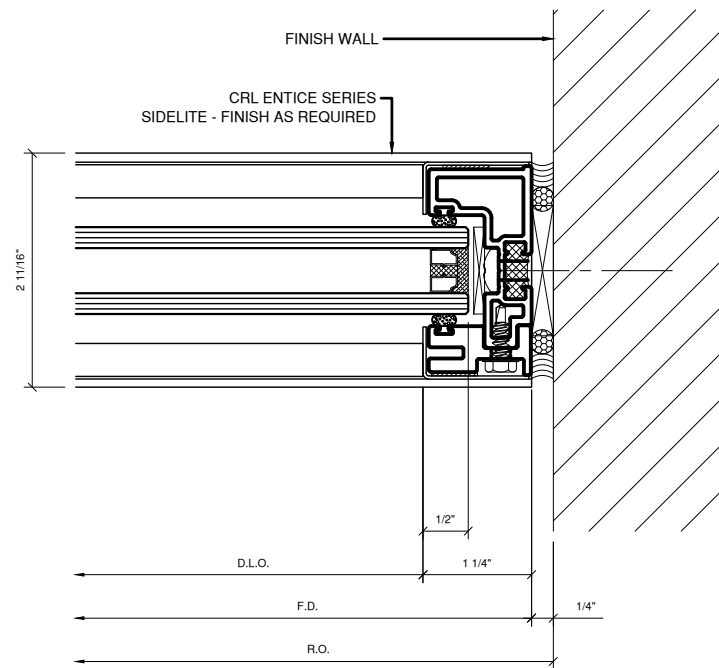
Drawn By: RPD  
Date: 01/28/20  
Scale: AS NOTED  
File Name:  
Entice Entrance System BS, PS, PB, SB.dwg

Sheet

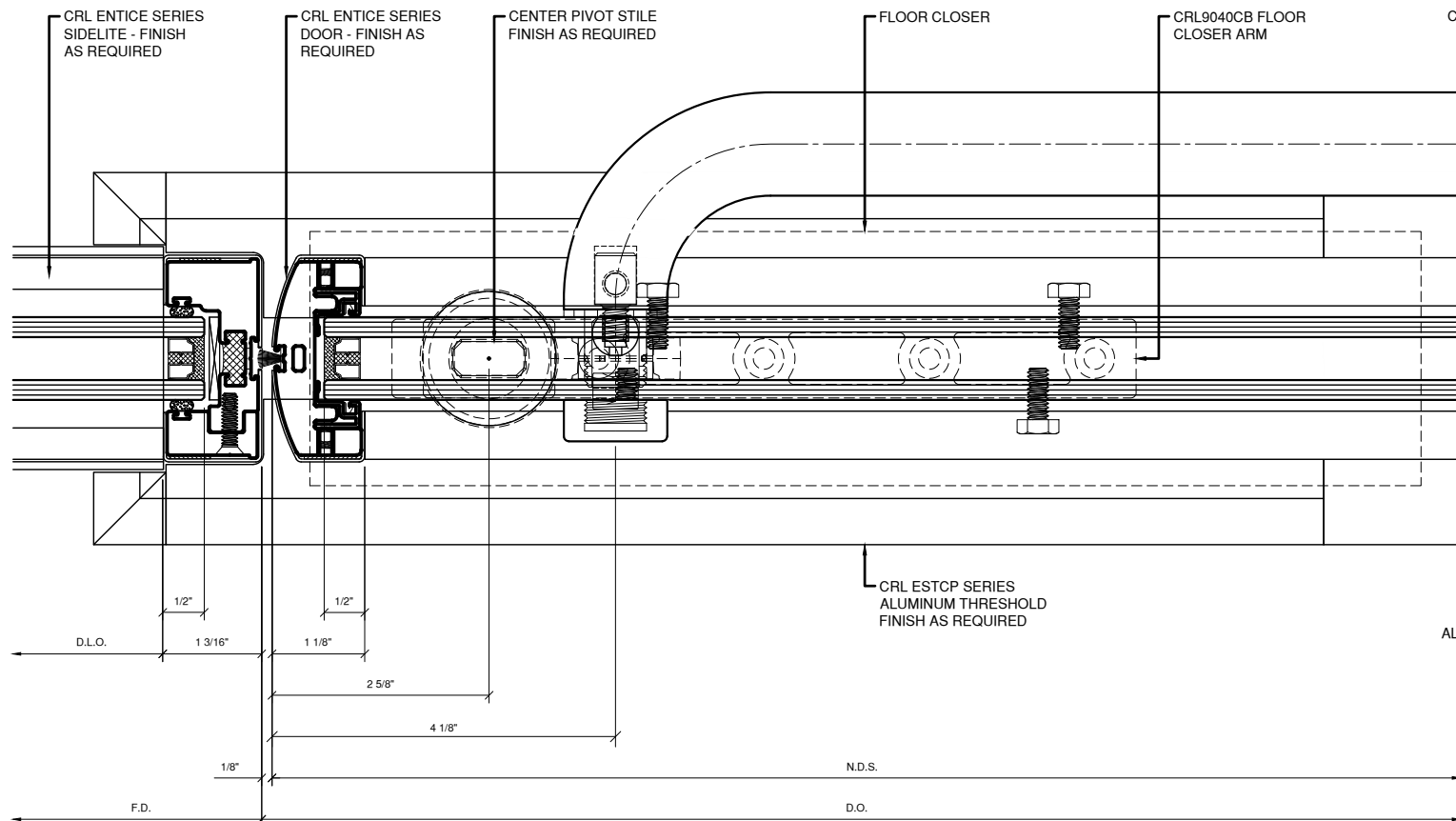
1.02



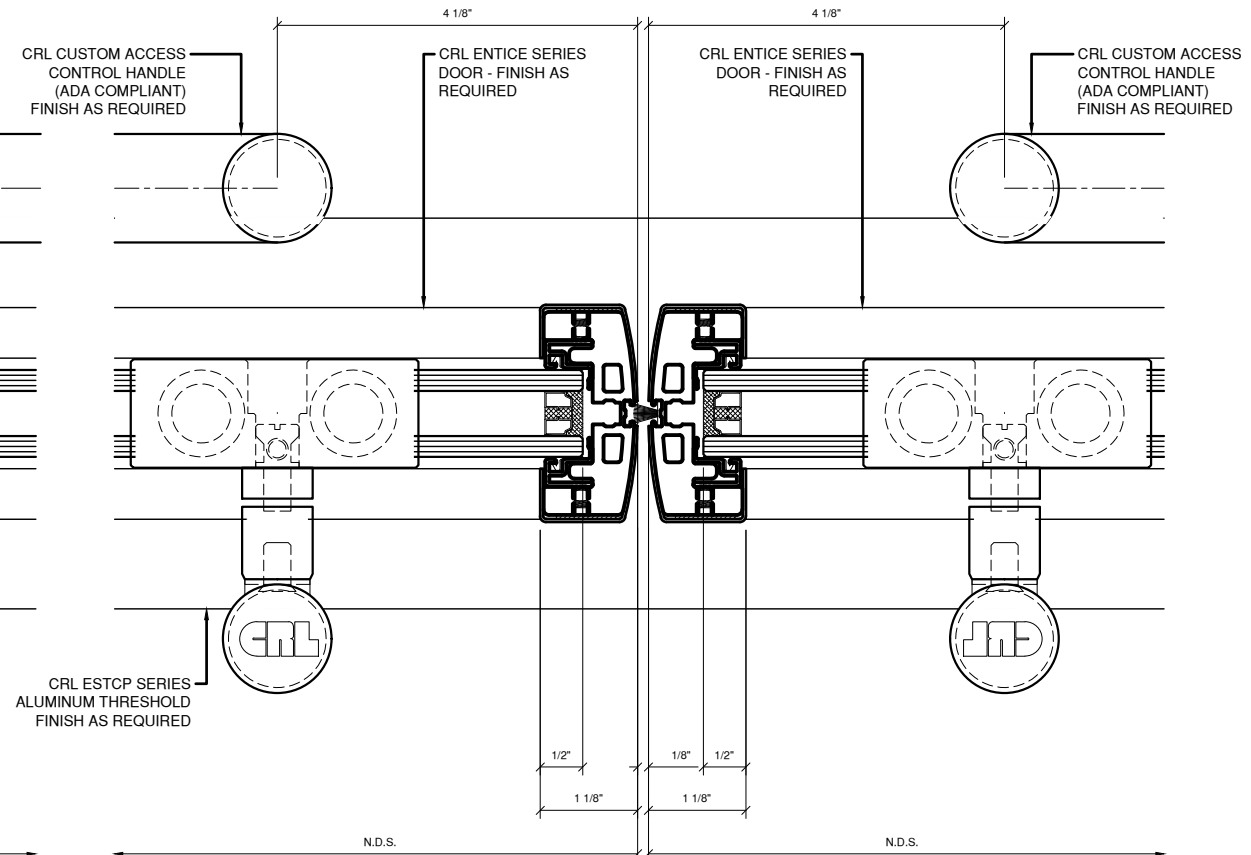
**1 WALL JAMB**  
1'-0" = 1'-0" ARCH. REF.: N/A



**2 WALL JAMB**  
1'-0" = 1'-0" ARCH. REF.: N/A



**3 DOOR JAMB WITH SIDELITE**  
1'-0" = 1'-0" ARCH. REF.: N/A



**4 DOOR MEETING STILE**  
1'-0" = 1'-0" ARCH. REF.: N/A

Revisions By:



2503 E. Vernon Avenue, Los Angeles, CA 90058-1897  
PH (800)-421-6144 FX: 800-587-7501 www.crlaurence.com

Description:  
ENTICE SERIES  
ENTRANCE SYSTEM  
CLAD IN STAINLESS  
STEEL OR BRASS

Drawn By: RPD  
Date: 01/28/20  
Scale: AS NOTED  
File Name:  
Entice Entrance System BS, PS, PB, SB.dwg  
Sheet

Revisions By:

**CRL**  
A CRH COMPANY

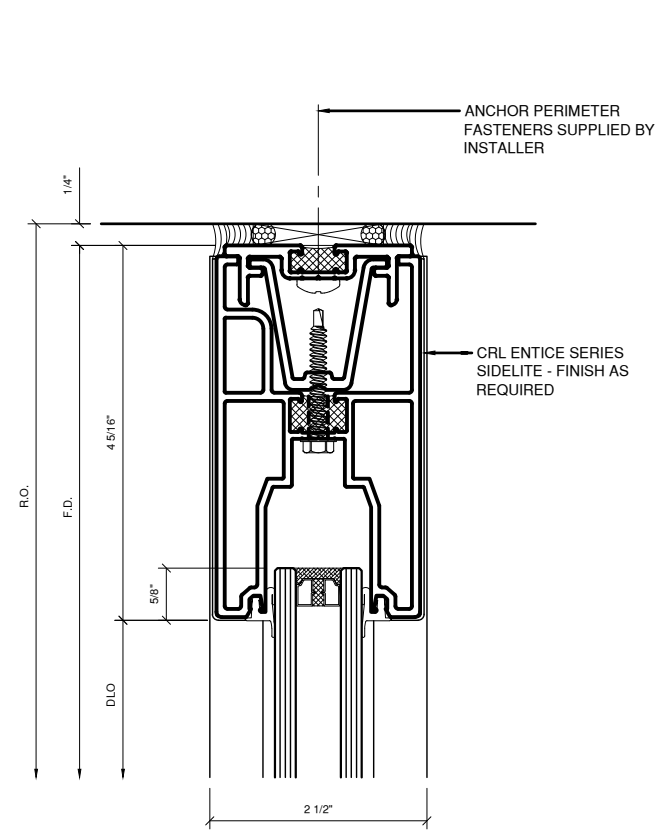
2503 E. Vernon Avenue, Los Angeles, CA 90058-1897  
PH (800)-421-6144 FX: 800-587-7501 www.crlaurence.com

Description:  
ENTICE SERIES  
ENTRANCE SYSTEM  
CLAD IN STAINLESS  
STEEL OR BRASS

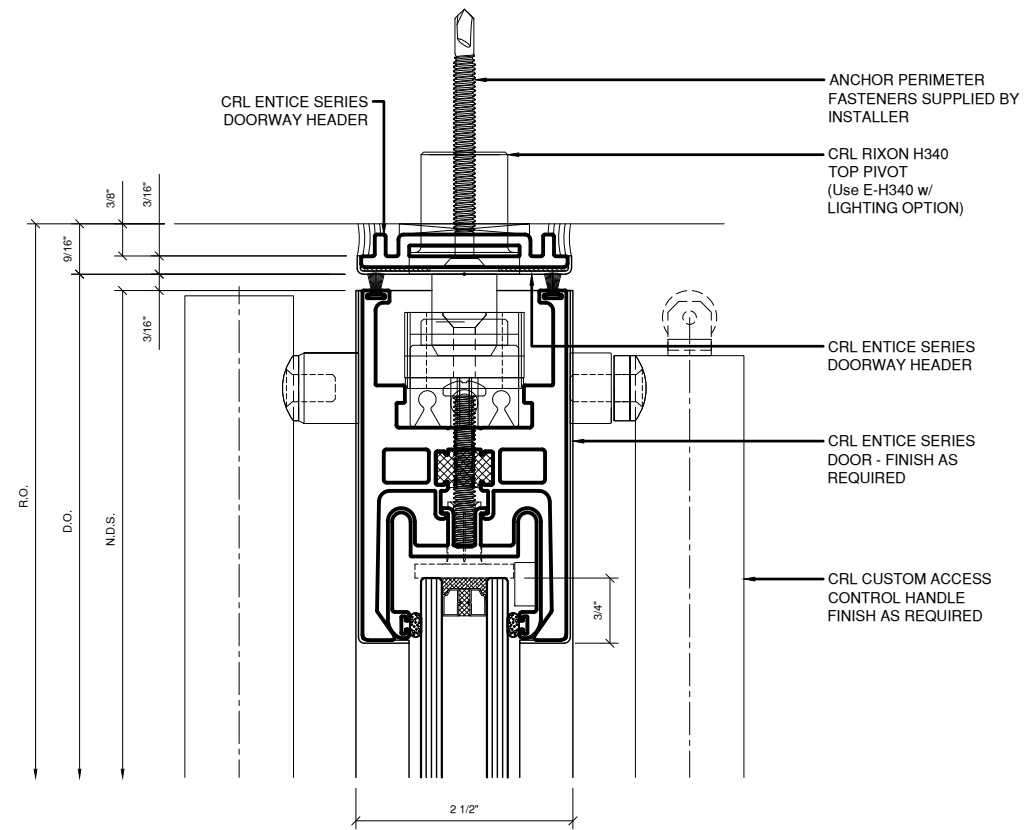
Drawn By: RPD  
Date: 01/28/20  
Scale: AS NOTED  
File Name:  
Entice Entrance System BS, PS, PB, SB.dwg

Sheet

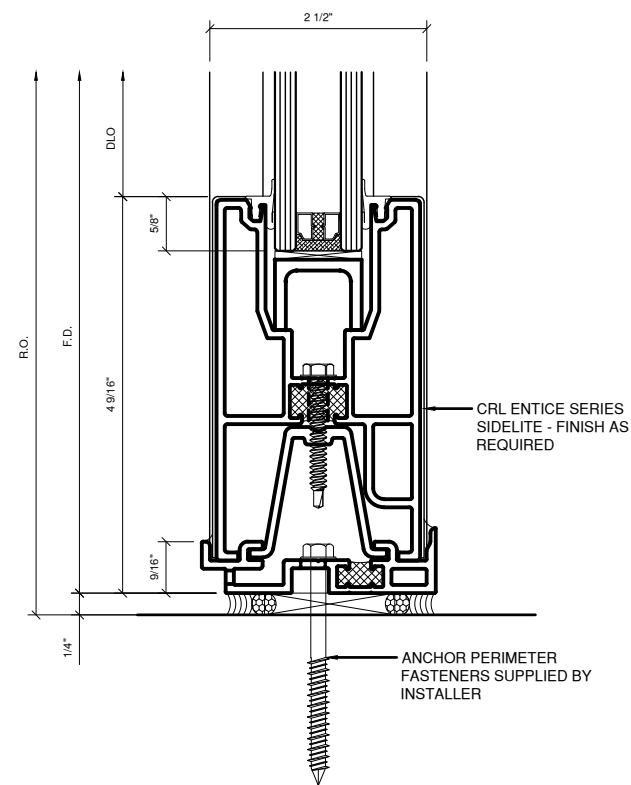
1.04



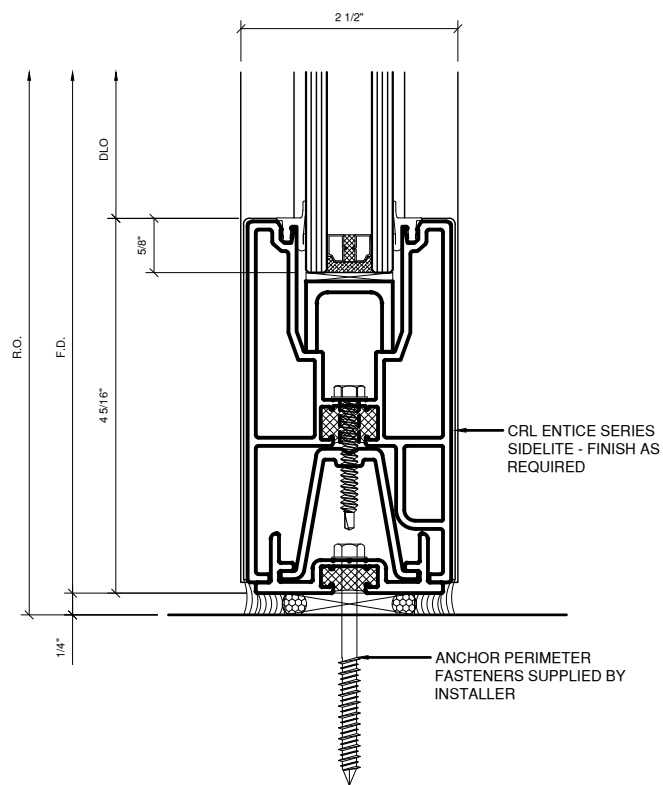
**1 HEAD DETAIL**  
1'-0" = 1'-0" ARCH. REF.: N/A



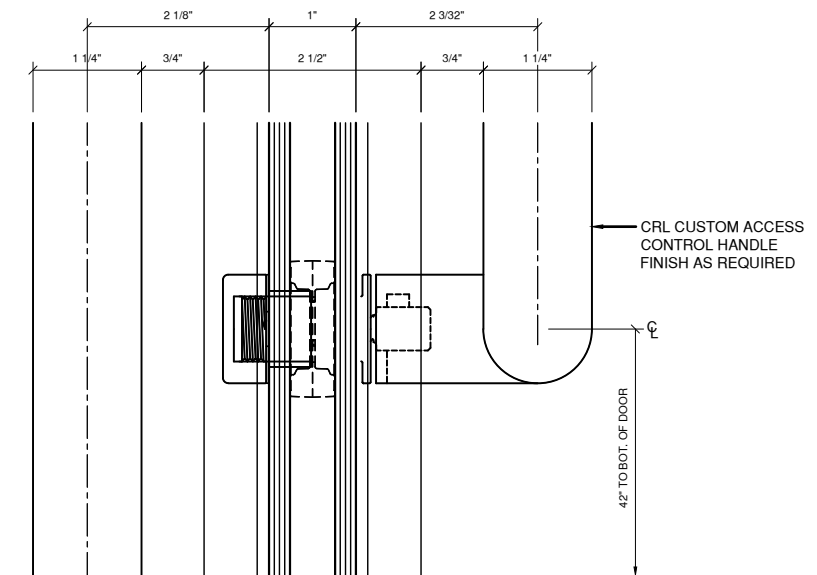
**3 DOOR HEAD DETAIL**  
1'-0" = 1'-0" ARCH. REF.: N/A



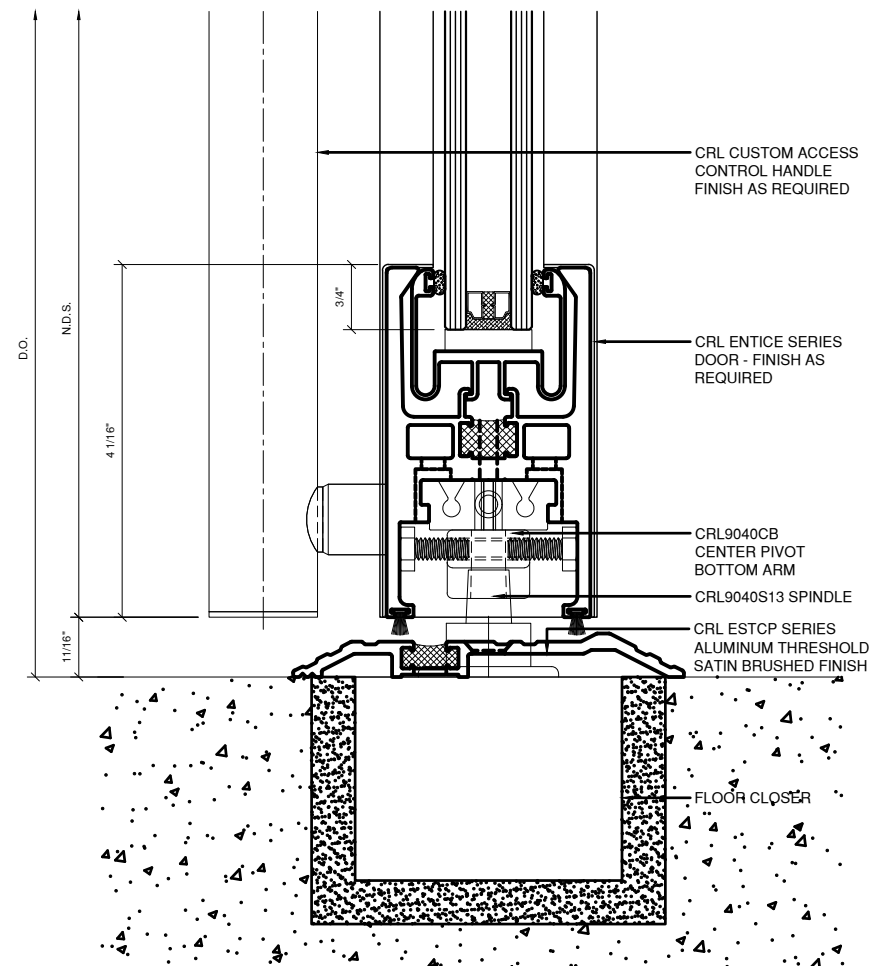
**2 EXTERIOR SILL DETAIL**  
1'-0" = 1'-0" ARCH. REF.: N/A



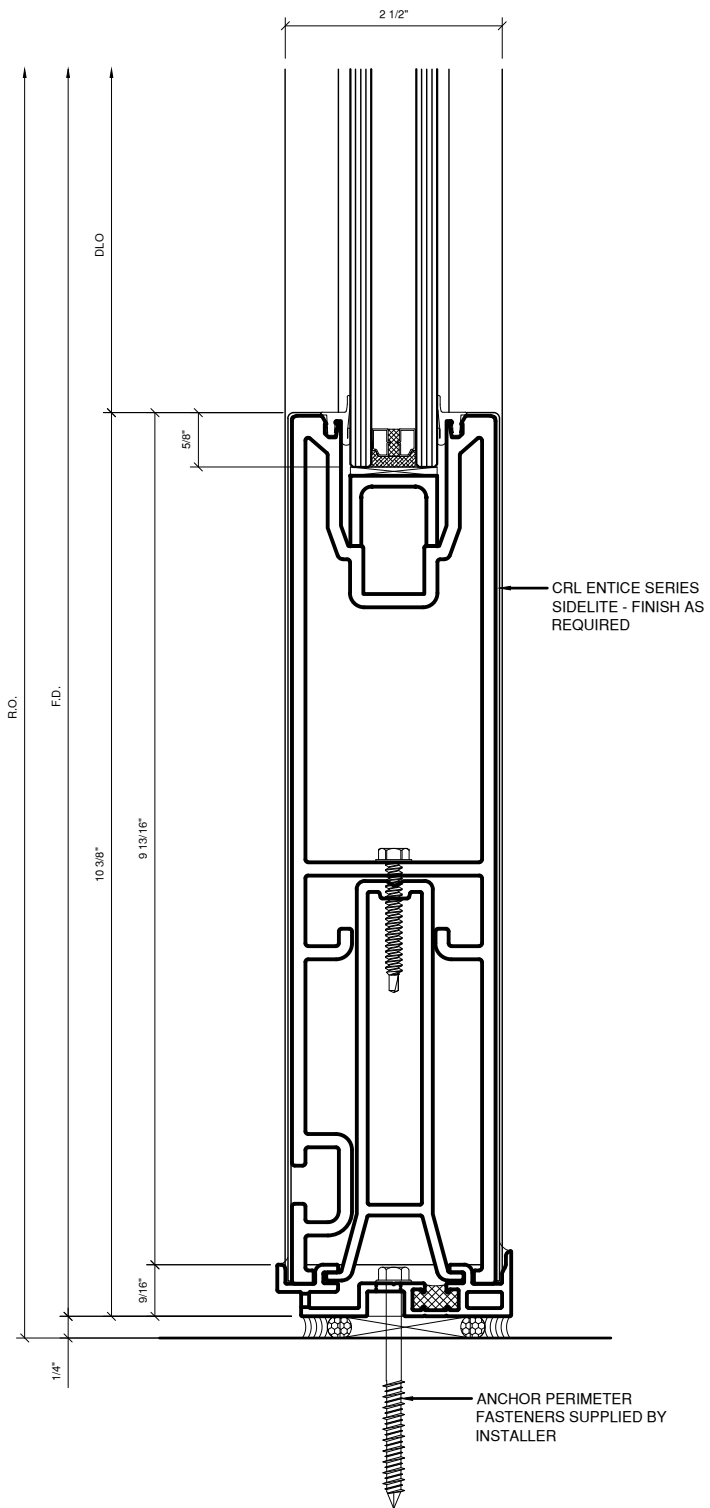
**4 INTERIOR SILL DETAIL**  
1'-0" = 1'-0" ARCH. REF.: N/A



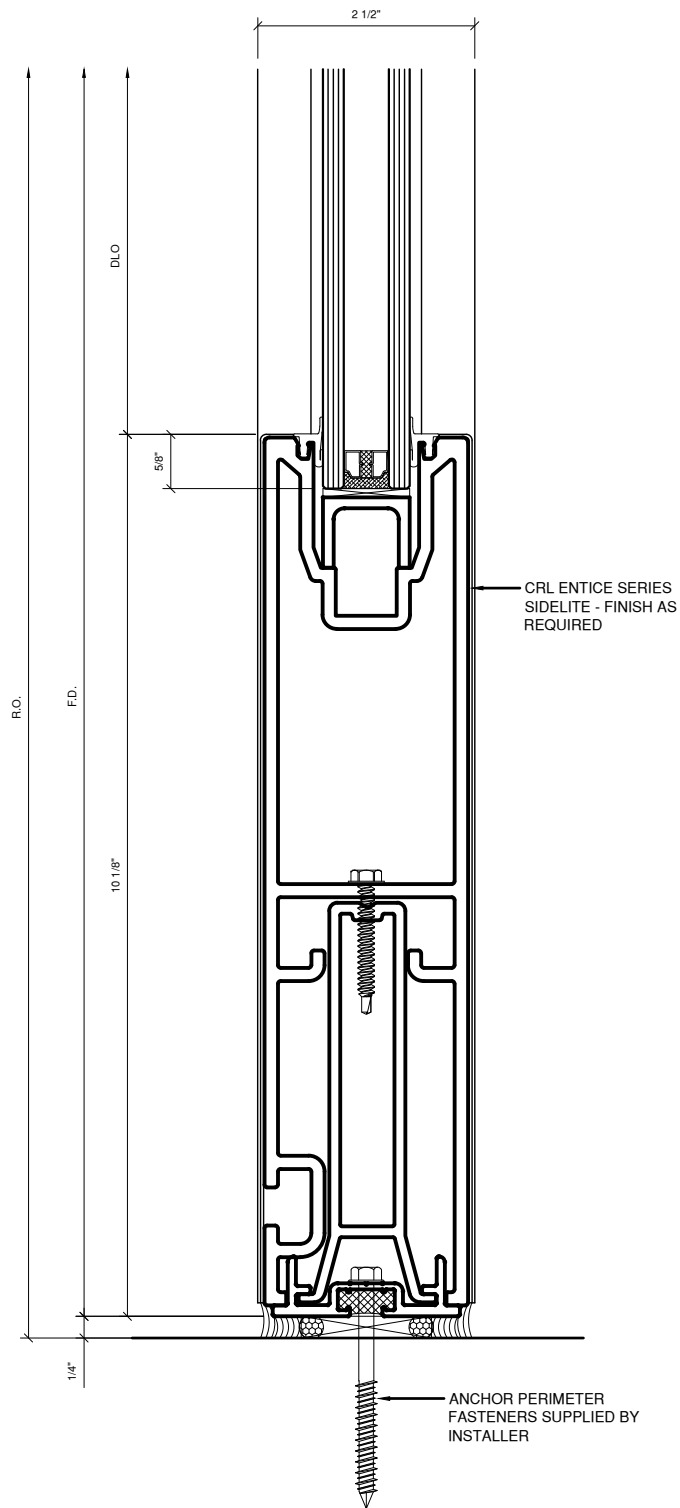
**5 ACCESS CONTROL HANDLE CYLINDER**  
1'-0" = 1'-0" ARCH. REF.: N/A



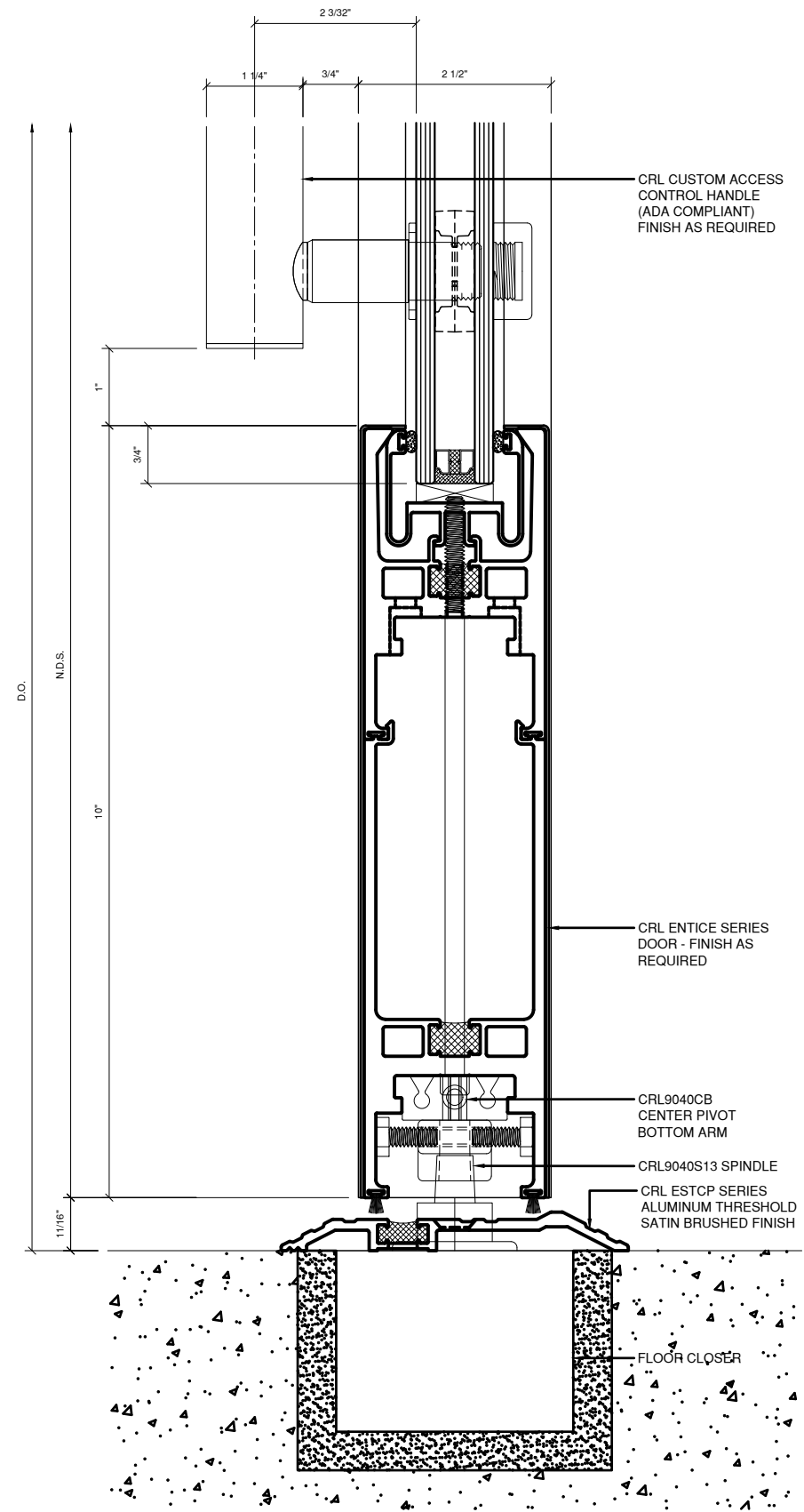
**6 4" BOTTOM RAIL DOOR**  
1'-0" = 1'-0" ARCH. REF.: N/A



1 EXTERIOR SILL DETAIL  
1'-0" = 1'-0" ARCH. REF.: N/A



2 INTERIOR SILL DETAIL  
1'-0" = 1'-0" ARCH. REF.: N/A



3 10" BOTTOM RAIL DETAIL  
1'-0" = 1'-0" ARCH. REF.: N/A

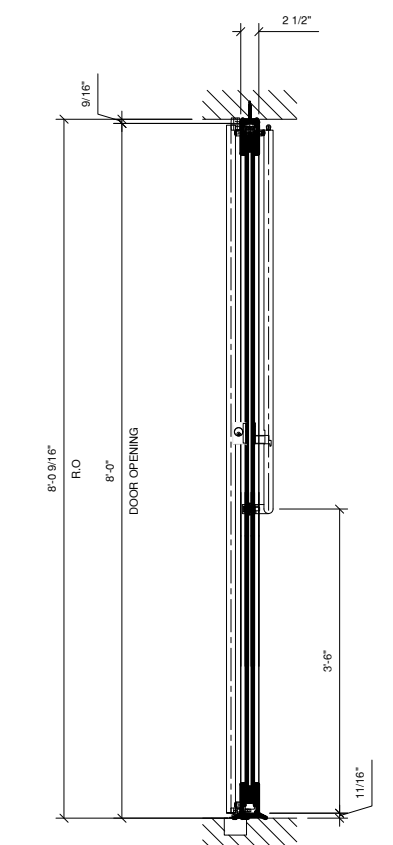
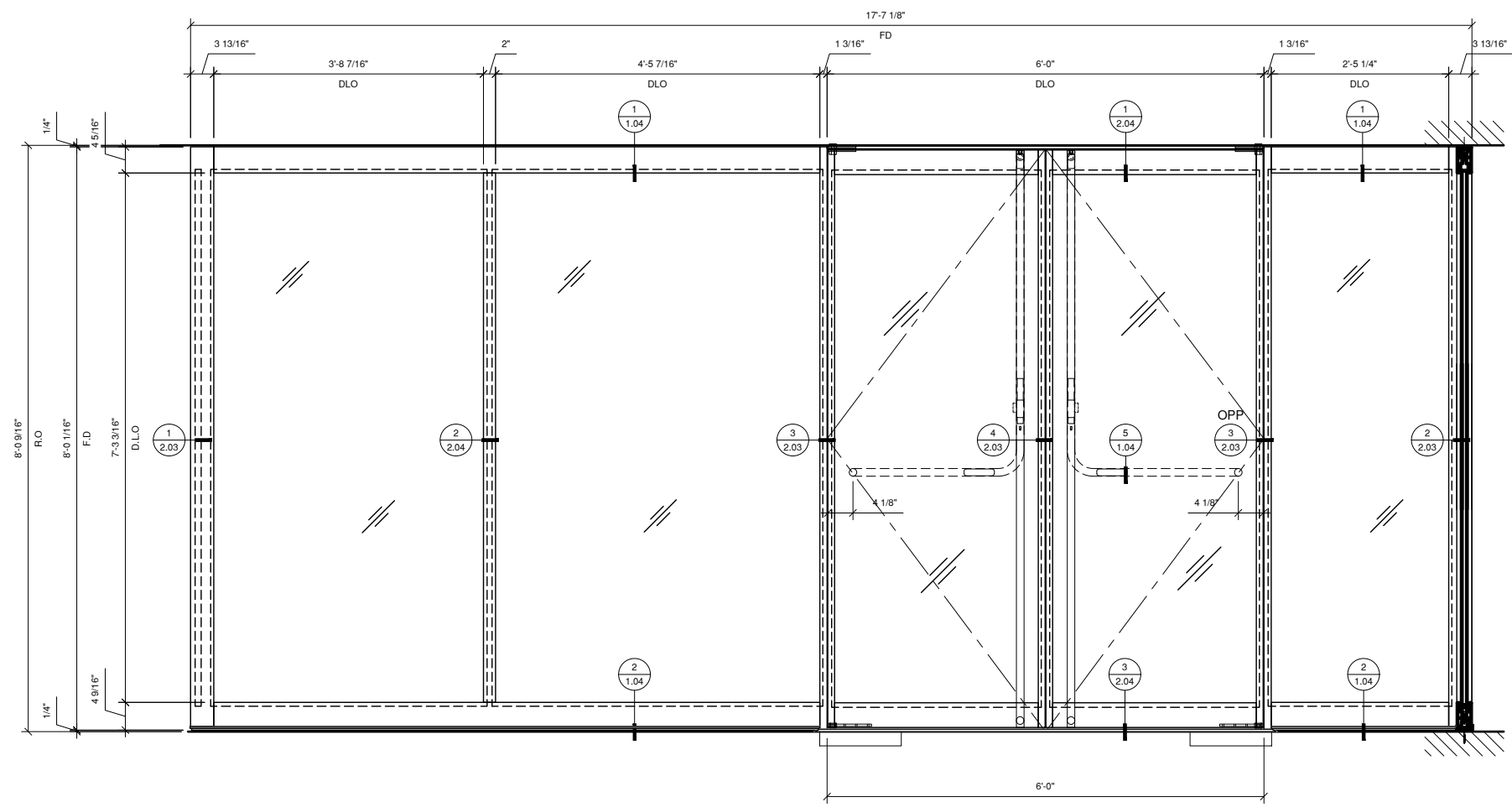
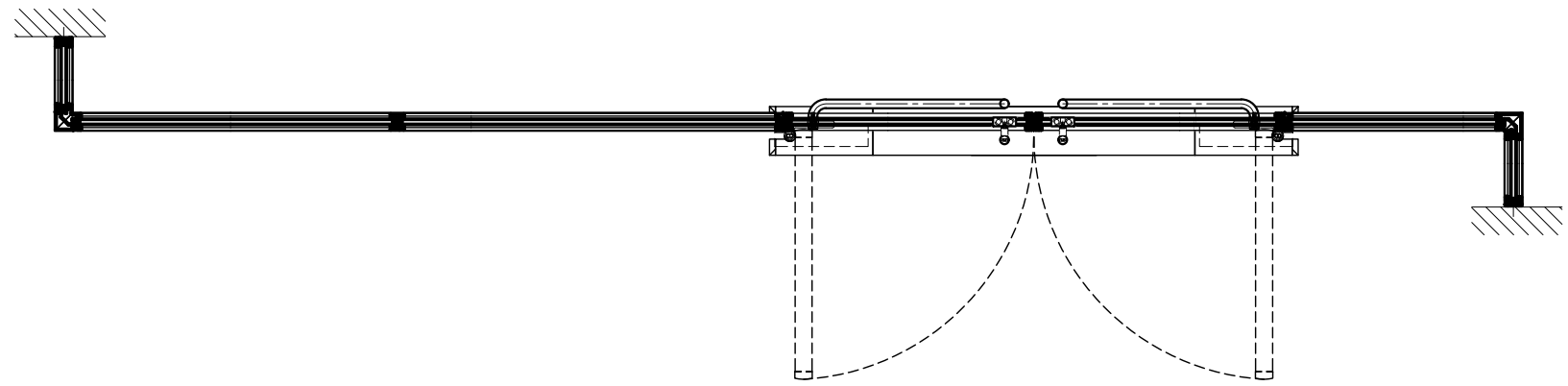
Revisions By:

**CRL**  
A CRH COMPANY  
2503 E. Vernon Avenue, Los Angeles, CA 90058-1897  
PH (800)-421-6144 FX: 800-587-7501 www.crlaurence.com

Description:  
ENTICE SERIES  
ENTRANCE SYSTEM  
CLAD IN STAINLESS  
STEEL OR BRASS

Drawn By: RPD  
Date: 01/28/20  
Scale: AS NOTED  
File Name:  
Entice Entrance System BS, PS, PB, SB.dwg  
Sheet

ENTICE SERIES ENTRANCE SYSTEM BS, PS, PB, & SB - OFFSET HUNG DOUBLE DOOR WITH 4 INCH BOTTOM RAIL, SIDELIGHTS AND CORNERS (w/ INTERM. MULLION)



2 EXTERIOR ELEVATION  
1" = 1'-0" ARCH. REF.: N/A

3 DOOR SECTION  
1" = 1'-0" ARCH. REF.: N/A

Revisions By:



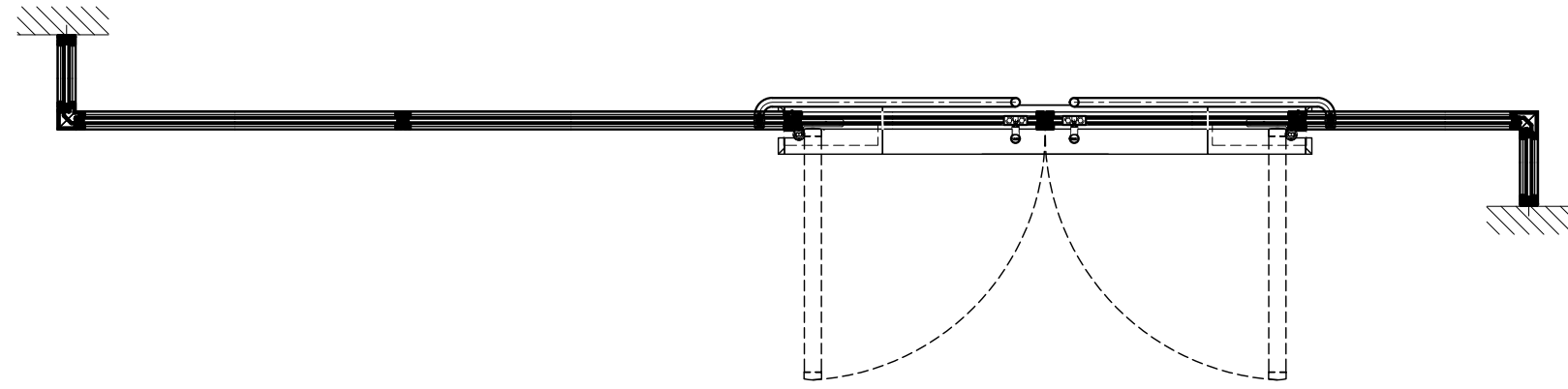
2503 E. Vernon Avenue, Los Angeles, CA 90058-1897  
PH (800)-421-6144 FX: 800-587-7501 www.crlaurence.com

Description:  
ENTICE SERIES  
ENTRANCE SYSTEM  
CLAD IN STAINLESS  
STEEL OR BRASS

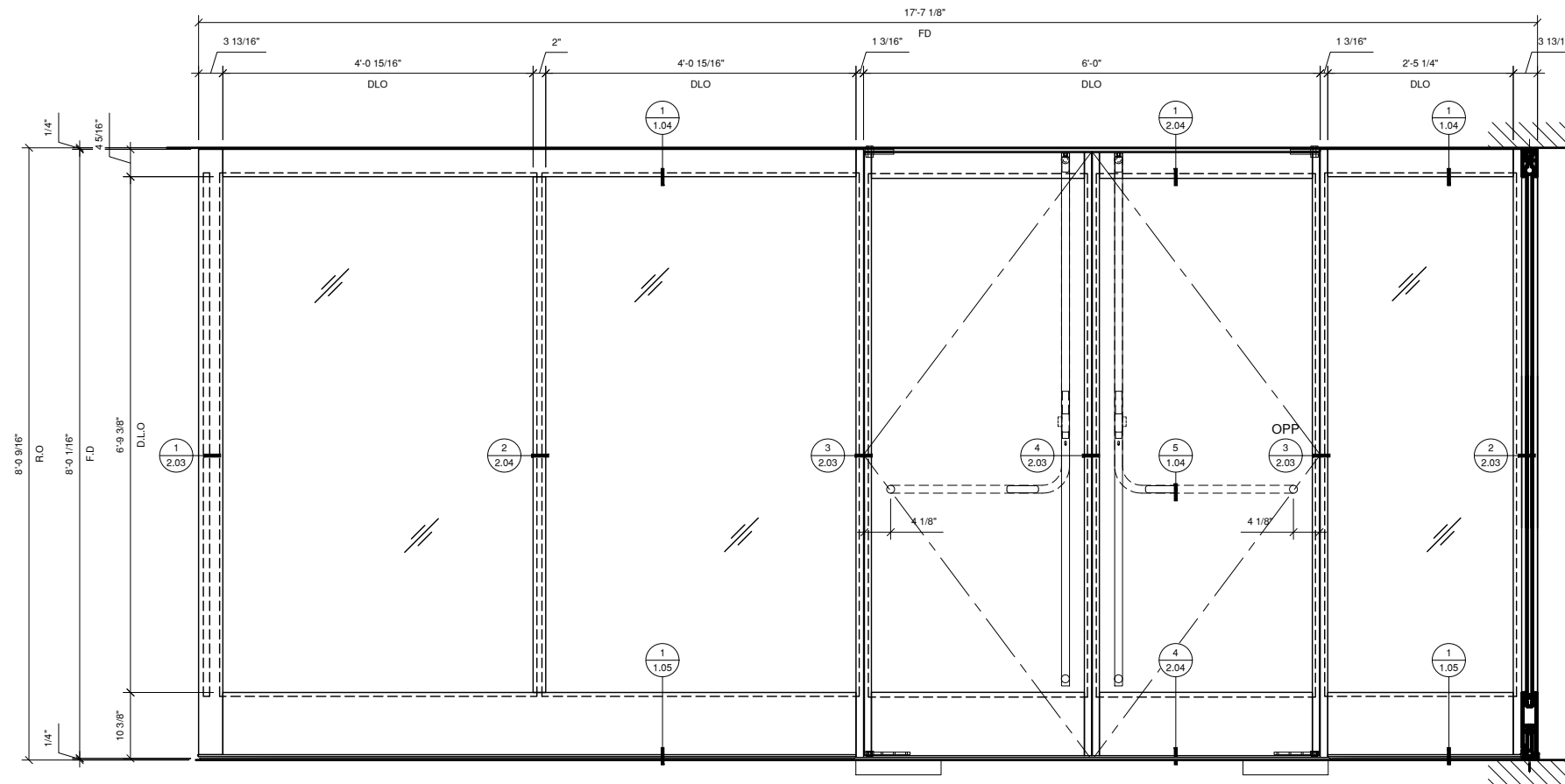
Drawn By: RPD  
Date: 01/28/20  
Scale: AS NOTED  
File Name:  
Entice Entrance System BS, PS, PB, SB.dwg

Sheet

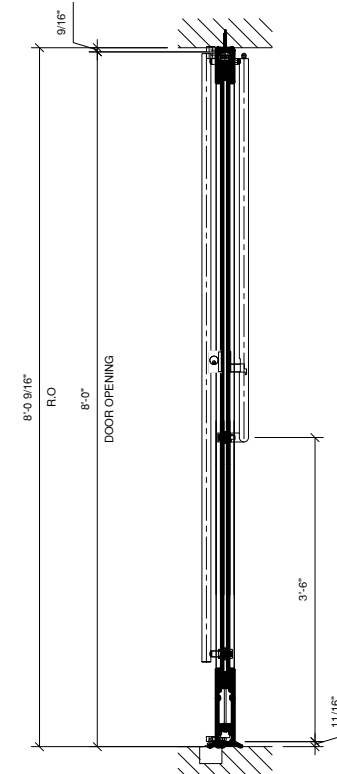
ENTICE SERIES ENTRANCE SYSTEM BS, PS, PB, & SB - OFFSET HUNG DOUBLE DOOR WITH 10 INCH BOT. RAIL, SIDELIGHTS AND CORNERS (w/ INTERM. MULLION)



① PLAN: OFFSET HUNG  
ARCH REF: 1"=1'-0"



② EXTERIOR ELEVATION  
1"=1'-0" ARCH. REF.: N/A



③ DOOR SECTION  
1"=1'-0" ARCH. REF.: N/A

Revisions By:

**CRL**  
A CRH COMPANY

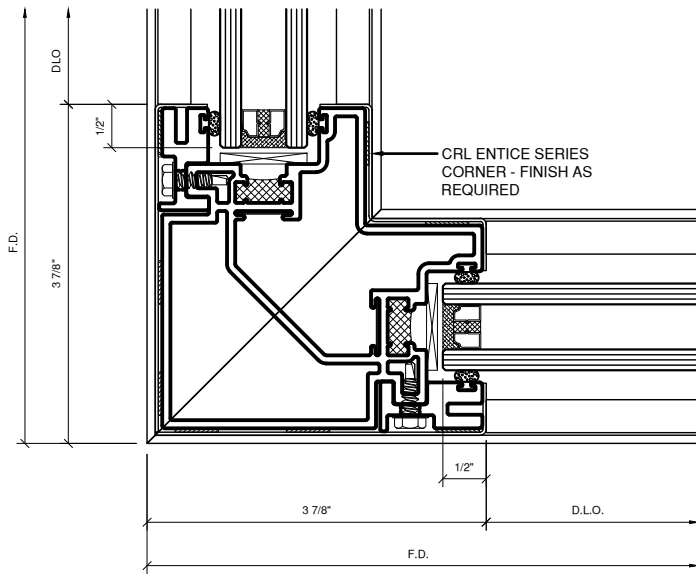
2503 E. Vernon Avenue, Los Angeles, CA 90058-1897  
PH (800)-421-6144 FX: 800-587-7501 www.crlaurence.com

Description:  
ENTICE SERIES  
ENTRANCE SYSTEM  
CLAD IN STAINLESS  
STEEL OR BRASS

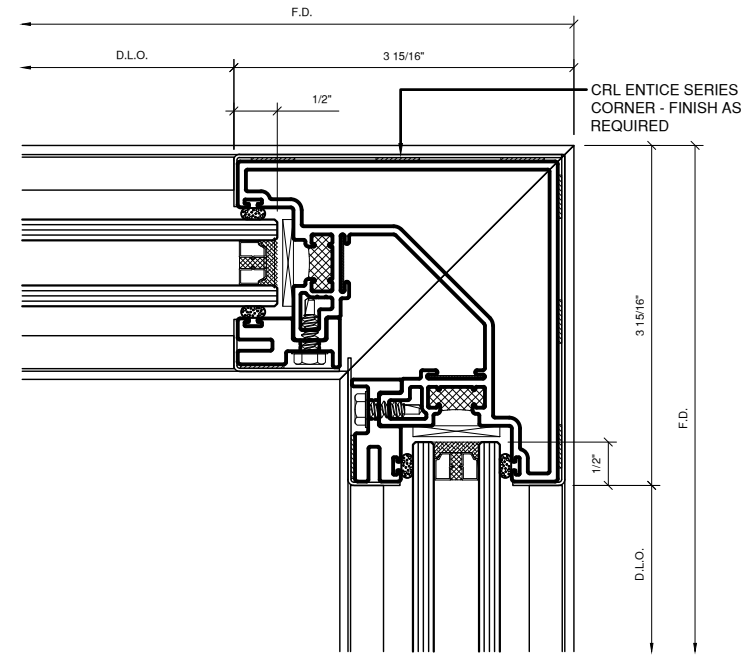
Drawn By: RPD  
Date: 01/28/20  
Scale: AS NOTED  
File Name:  
Entice Entrance System BS, PS, PB, SB.dwg

Sheet

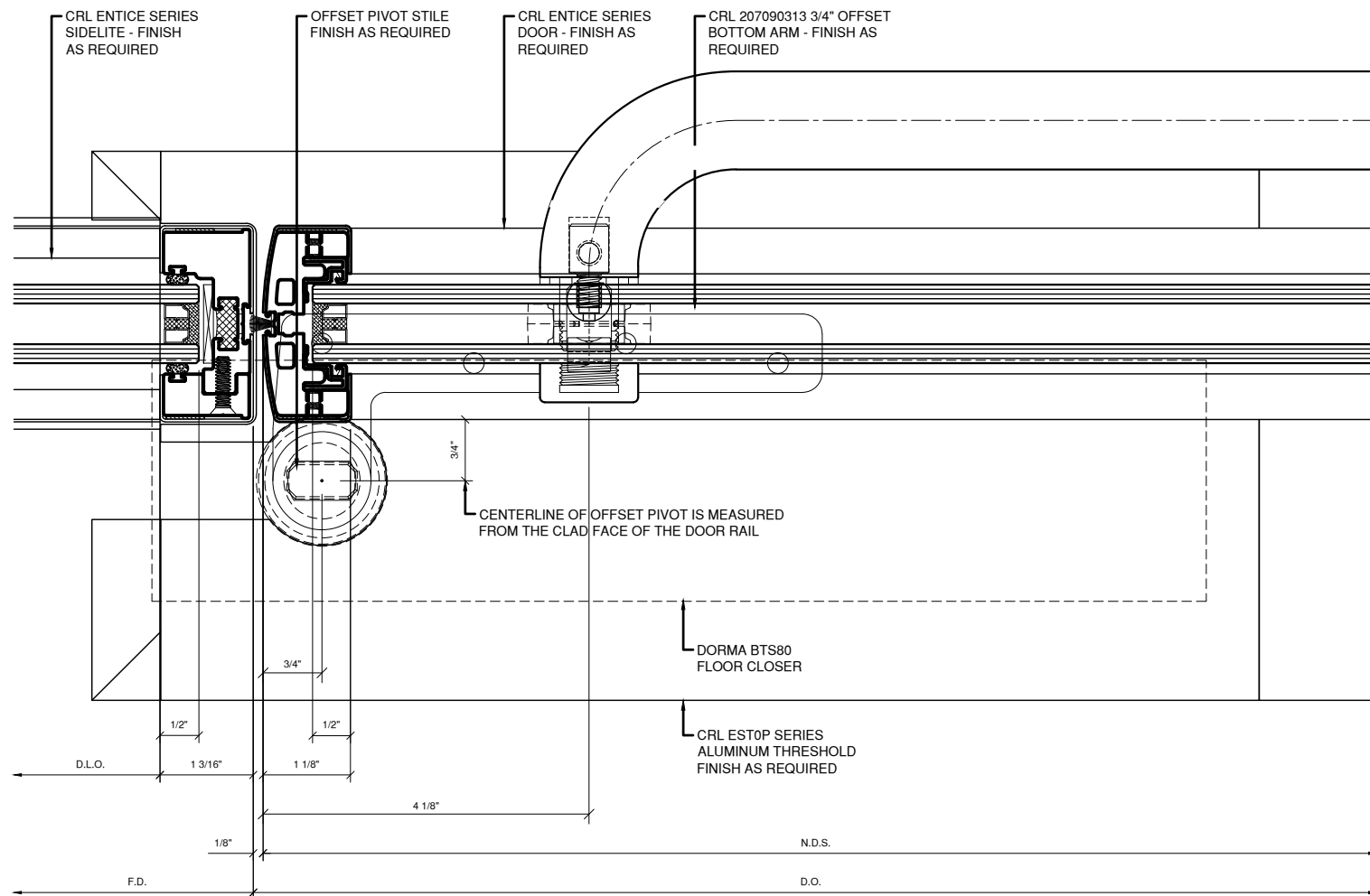
2.02



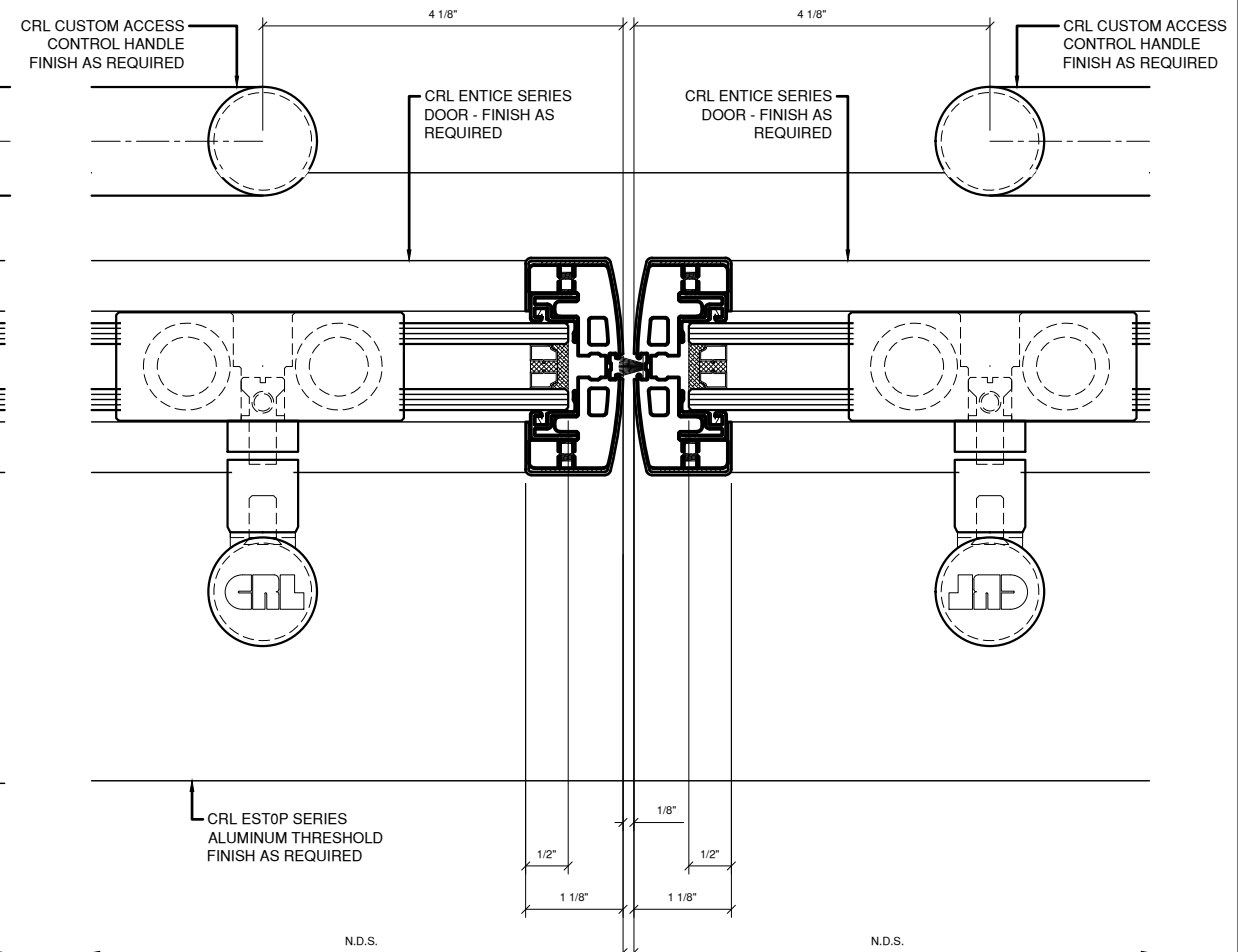
**1** 90 DEGREE OUTSIDE CORNER  
1'-0" = 1'-0" ARCH. REF.: N/A



**2** 90 DEGREE INSIDE CORNER  
1'-0" = 1'-0" ARCH. REF.: N/A



**3** DOOR JAMB WITH SIDELITE  
1'-0" = 1'-0" ARCH. REF.: N/A



**4** MEETING STILE  
1'-0" = 1'-0" ARCH. REF.: N/A

Revisions By:

**CRL**  
A CRH COMPANY

2503 E. Vernon Avenue, Los Angeles, CA 90058-1897  
PH (800)-421-6144 FX: 800-587-7501 www.crlaurence.com

Description:  
ENTICE SERIES  
ENTRANCE SYSTEM  
CLAD IN STAINLESS  
STEEL OR BRASS

Drawn By: RPD  
Date: 01/28/20  
Scale: AS NOTED  
File Name:  
Entice Entrance System BS, PS, PB, SB.dwg  
Sheet



Revisions By:

**CRL**  
A CRH COMPANY

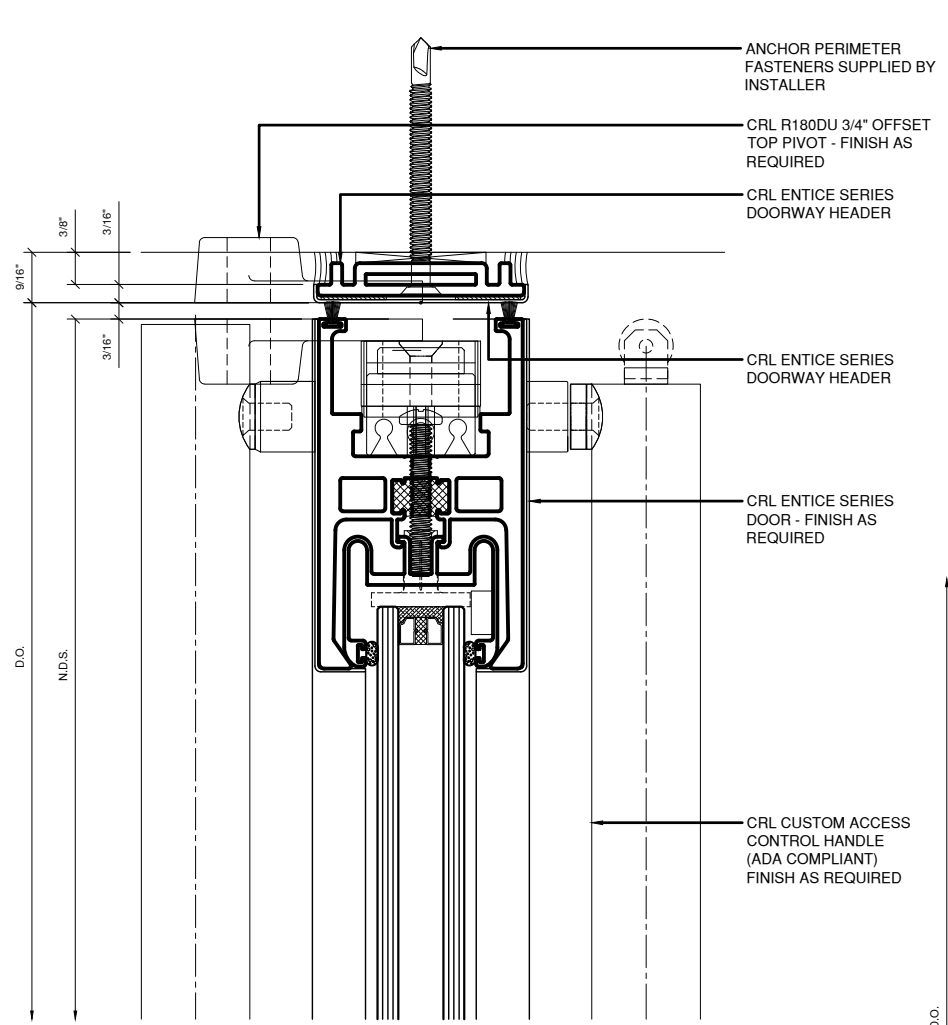
2503 E. Vernon Avenue, Los Angeles, CA 90058-1897  
PH (800)-421-6144 FX: 800-387-7501 www.crlaurence.com

Description:  
ENTICE SERIES  
ENTRANCE SYSTEM  
CLAD IN STAINLESS  
STEEL OR BRASS

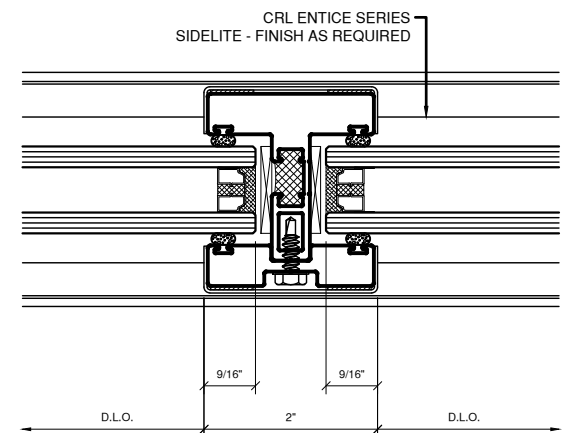
Drawn By: RPD  
Date: 01/28/20  
Scale: AS NOTED  
File Name:  
Entice Entrance System BS, PS, PB, SB.dwg

Sheet

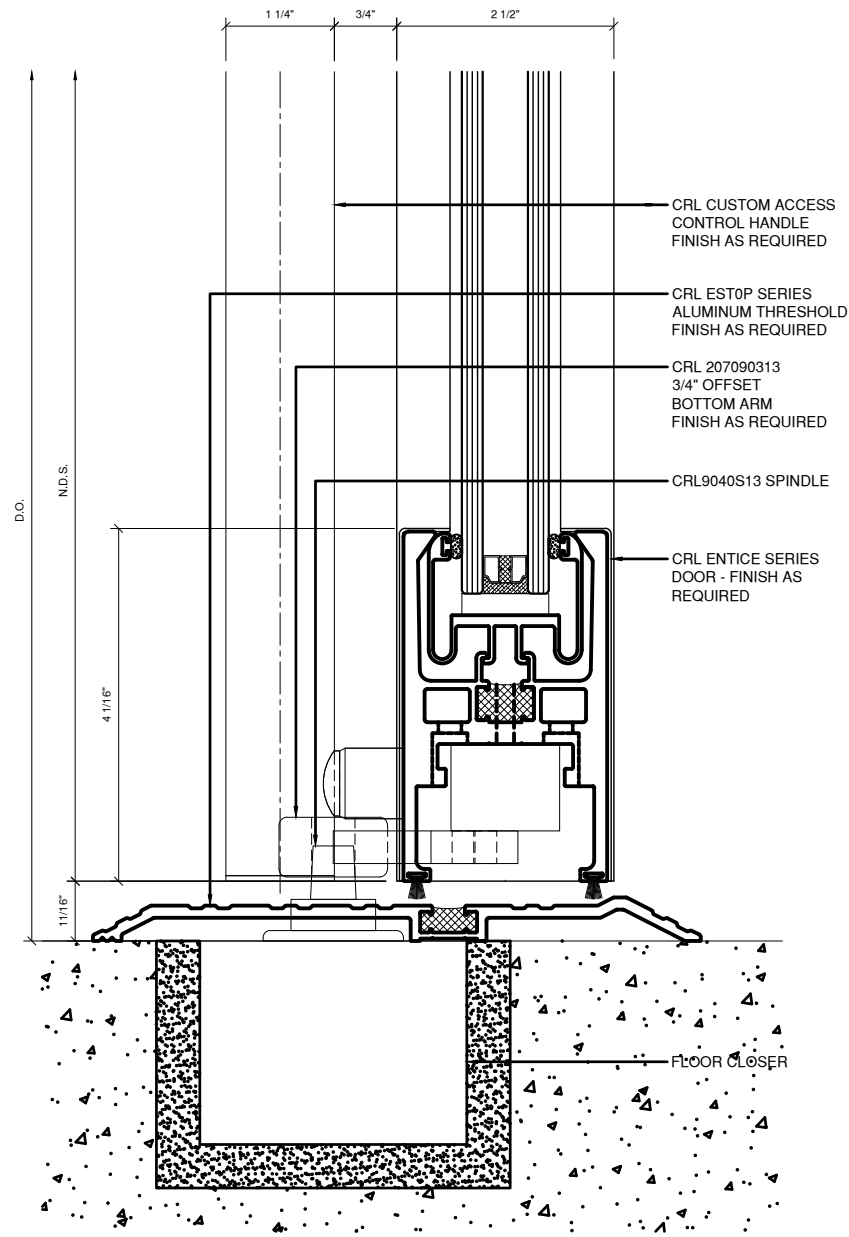
2.04



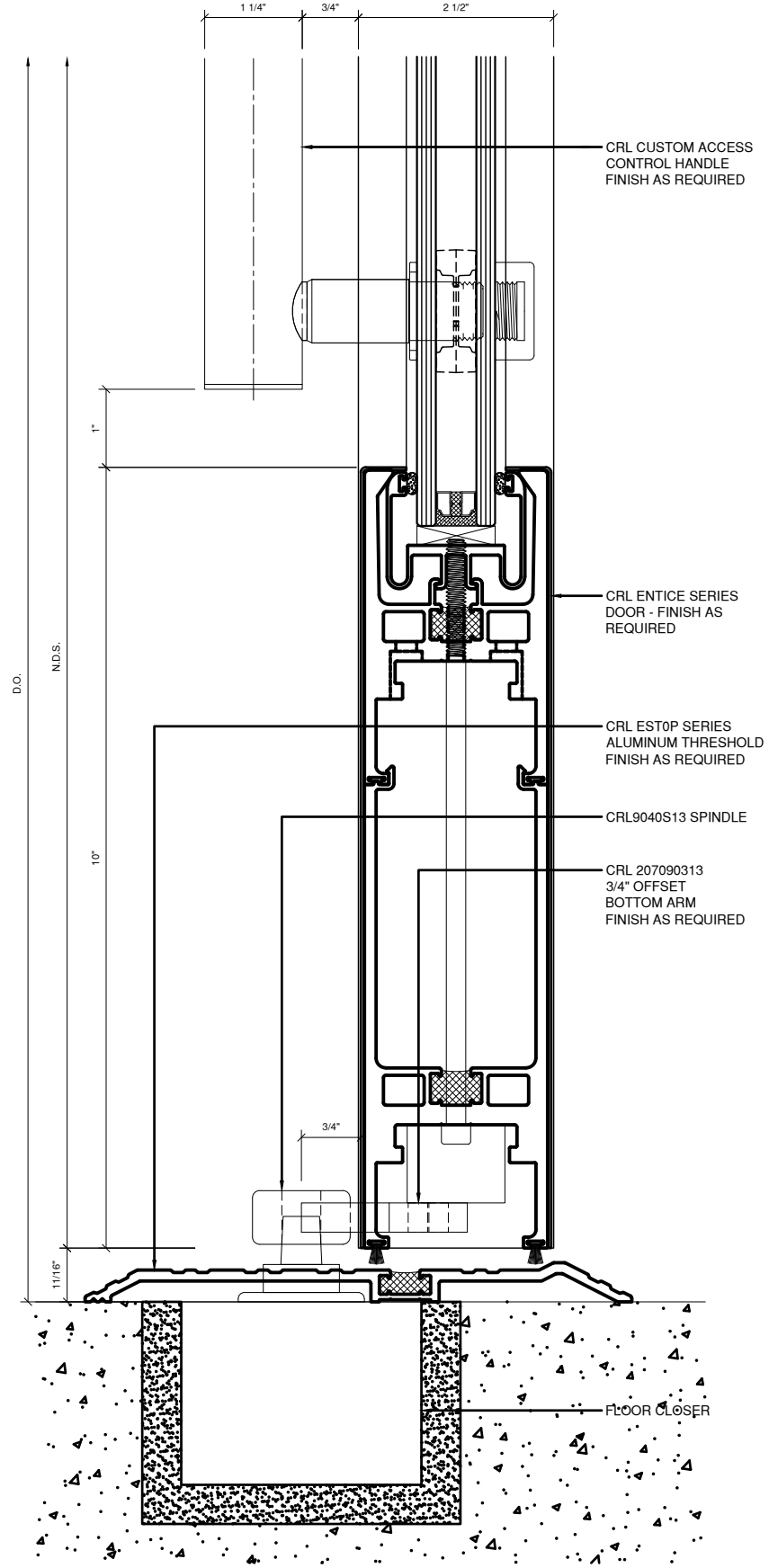
1 DOOR HEADER  
1'-0" = 1'-0" ARCH. REF.: N/A



2 INTERMEDIATE VERTICAL  
1'-0" = 1'-0" ARCH. REF.: N/A

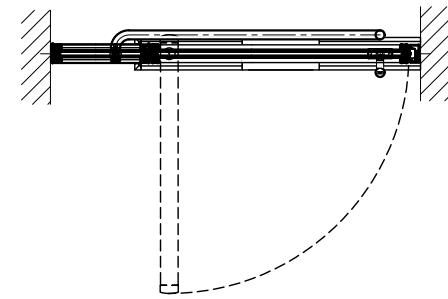


3 4" BOTTOM DOOR RAIL  
1'-0" = 1'-0" ARCH. REF.: N/A

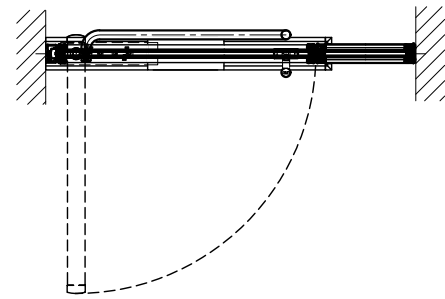


4 10" BOTTOM DOOR RAIL  
1'-0" = 1'-0" ARCH. REF.: N/A

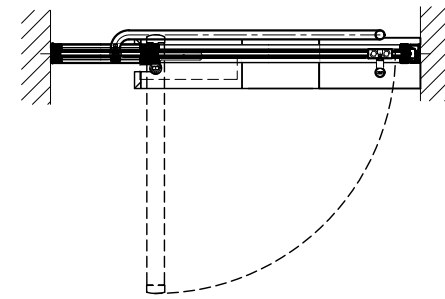
ENTICE SERIES ENTRANCE SYSTEM BS, PS, PB, & SB - CENTER / OFFSET HUNG SINGLE DOORS WITH 4 INCH BOTTOM RAIL AND DOOR JAMB WALL ADAPTER



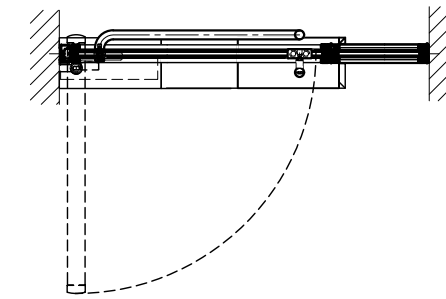
1 PLAN: CENTER HUNG  
1" = 1'-0" ARCH. REF.: N/A



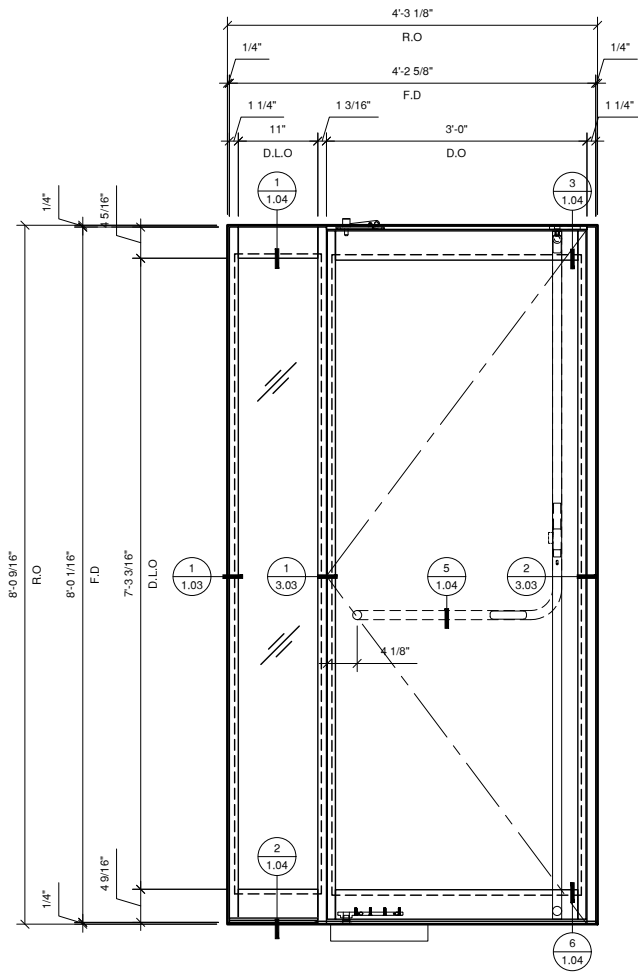
3 PLAN: CENTER HUNG  
1" = 1'-0" ARCH. REF.: N/A



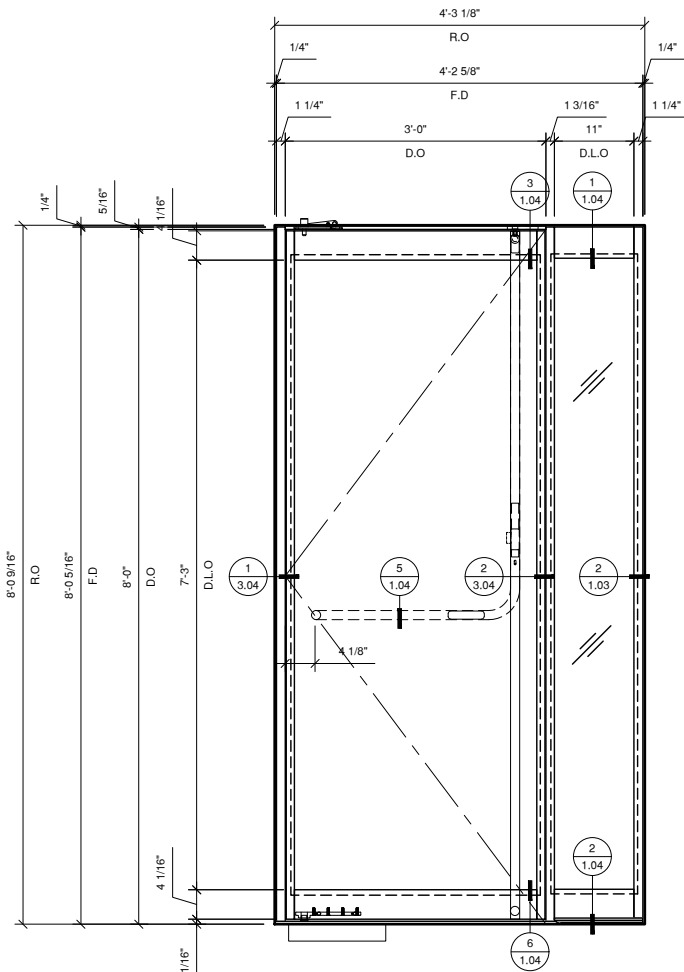
5 PLAN: OFFSET HUNG  
1" = 1'-0" ARCH. REF.: N/A



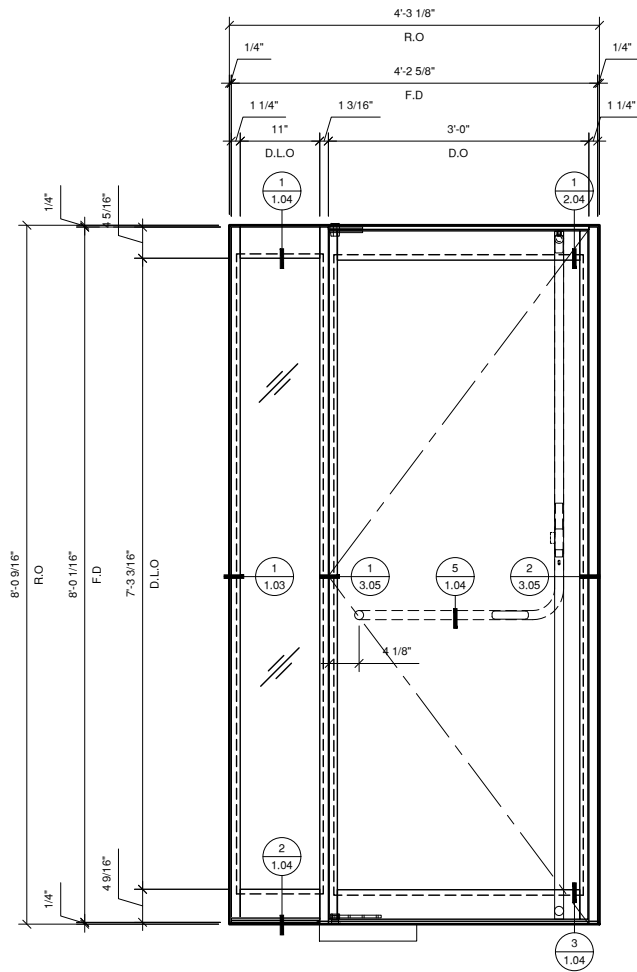
7 PLAN: OFFSET HUNG  
1" = 1'-0" ARCH. REF.: N/A



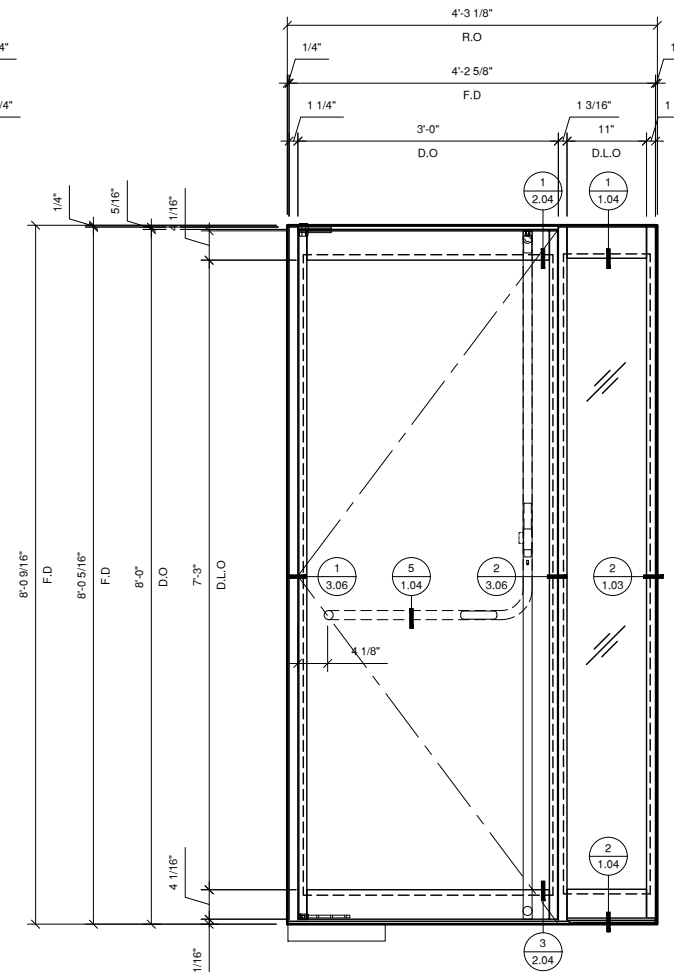
2 EXTERIOR ELEVATION  
1" = 1'-0" ARCH. REF.: N/A



4 EXTERIOR ELEVATION  
1" = 1'-0" ARCH. REF.: N/A



6 EXTERIOR ELEVATION  
1" = 1'-0" ARCH. REF.: N/A



8 EXTERIOR ELEVATION  
1" = 1'-0" ARCH. REF.: N/A

Revisions By:

**CRL**  
A CRH COMPANY

2503 E. Vernon Avenue, Los Angeles, CA 90058-1897  
PH (800)-421-6144 FX: 800-587-7501 www.crlaurence.com

Description:  
ENTICE SERIES  
ENTRANCE SYSTEM  
CLAD IN STAINLESS  
STEEL OR BRASS

Drawn By: RPD

Date: 01/28/20

Scale: AS NOTED

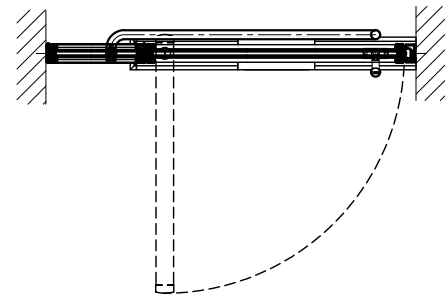
File Name:

Entice Entrance System BS, PS, PB, SB.dwg

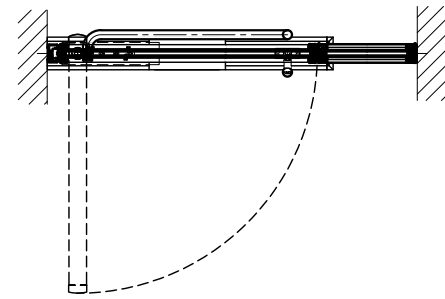
Sheet

3.01

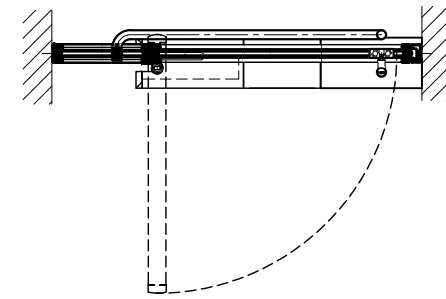
ENTICE SERIES ENTRANCE SYSTEM BS, PS, PB, & SB - CENTER / OFFSET HUNG SINGLE DOORS WITH 10 INCH BOTTOM RAIL AND DOOR JAMB WALL ADAPTER



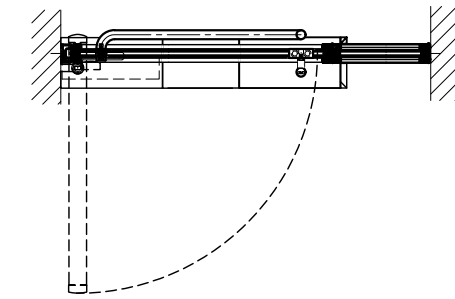
1 PLAN: CENTER HUNG  
1" = 1'-0" ARCH. REF.: N/A



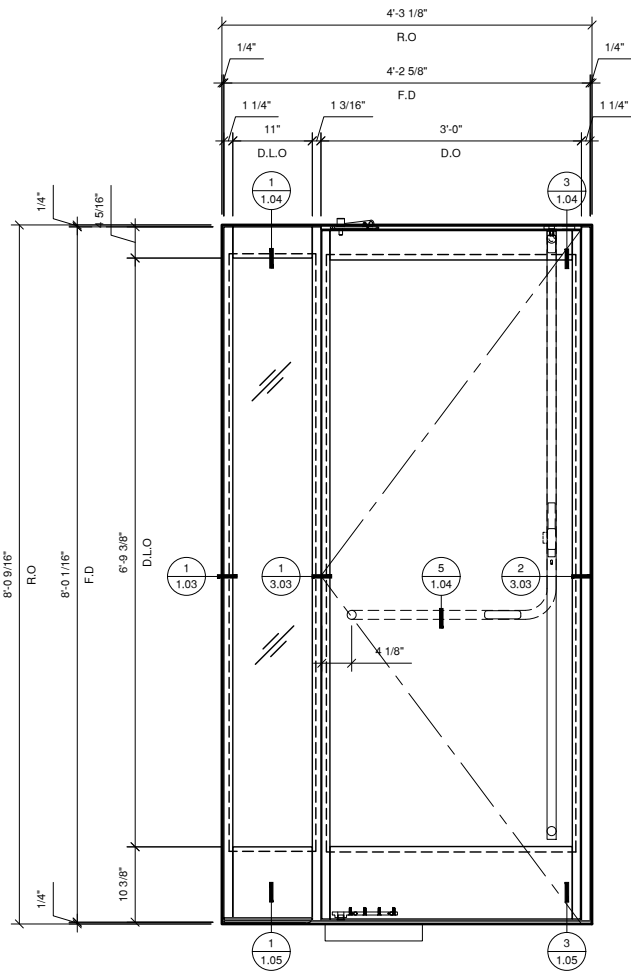
3 PLAN: CENTER HUNG  
1" = 1'-0" ARCH. REF.: N/A



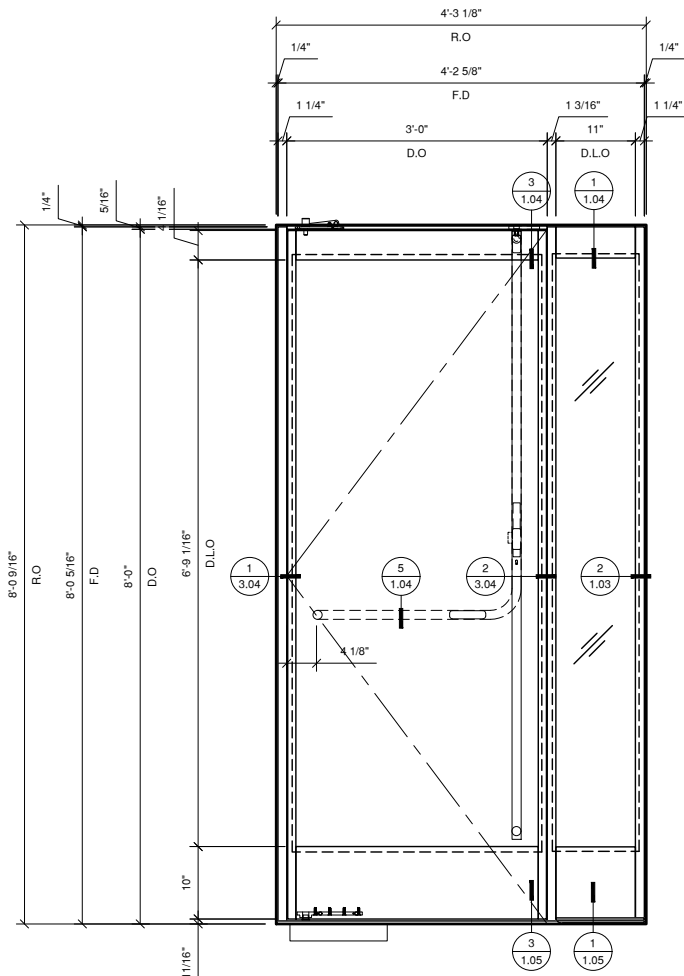
5 PLAN: OFFSET HUNG  
1" = 1'-0" ARCH. REF.: N/A



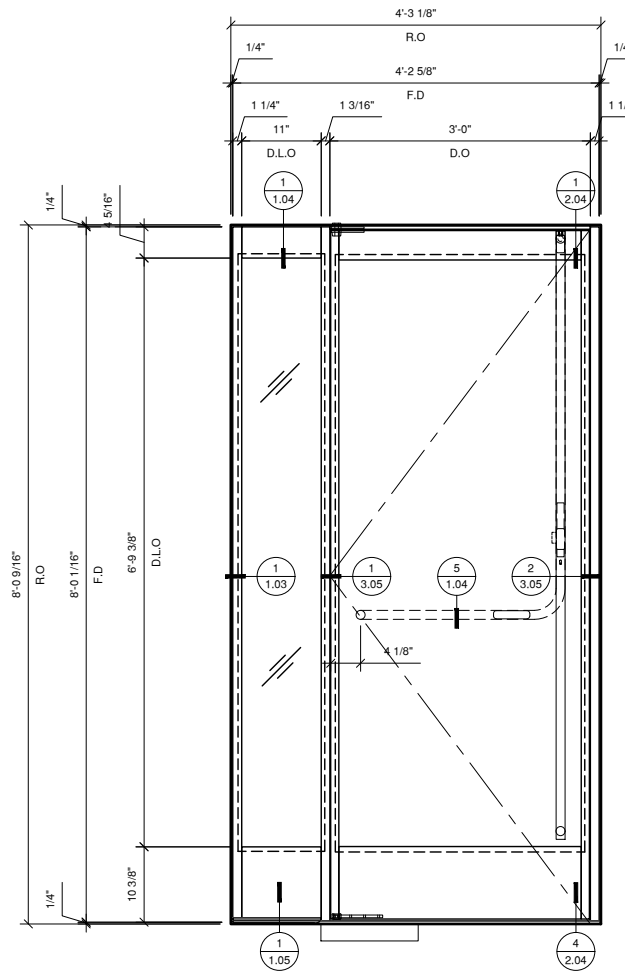
7 PLAN: OFFSET HUNG  
1" = 1'-0" ARCH. REF.: N/A



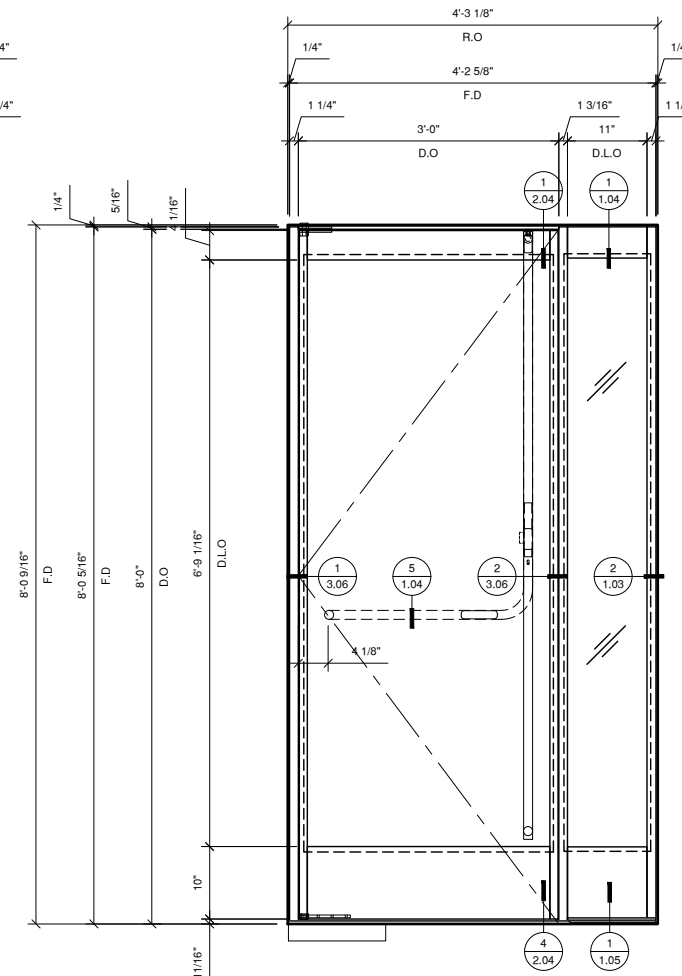
2 EXTERIOR ELEVATION  
1" = 1'-0" ARCH. REF.: N/A



4 EXTERIOR ELEVATION  
1" = 1'-0" ARCH. REF.: N/A



6 EXTERIOR ELEVATION  
1" = 1'-0" ARCH. REF.: N/A



8 EXTERIOR ELEVATION  
1" = 1'-0" ARCH. REF.: N/A

Revisions By:

**CRL**  
A CRH COMPANY

2503 E. Vernon Avenue, Los Angeles, CA 90058-1897  
PH (800)-421-6144 FX: 800-587-7501 www.crlaurence.com

Description:  
ENTICE SERIES  
ENTRANCE SYSTEM  
CLAD IN STAINLESS  
STEEL OR BRASS

Drawn By: RPD  
Date: 01/28/20  
Scale: AS NOTED  
File Name:  
Entice Entrance System BS, PS, PB, SB.dwg

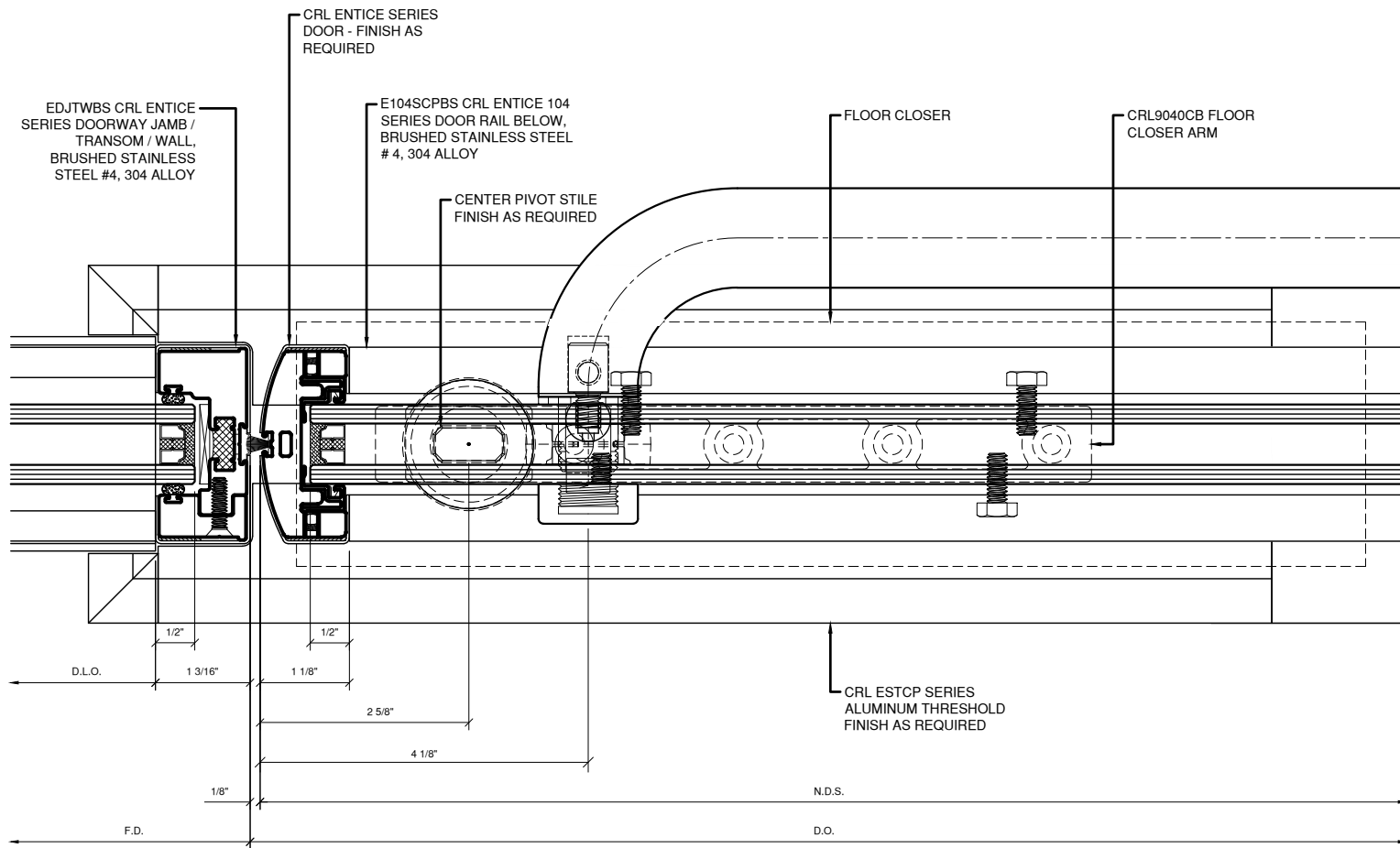
Sheet

3.02

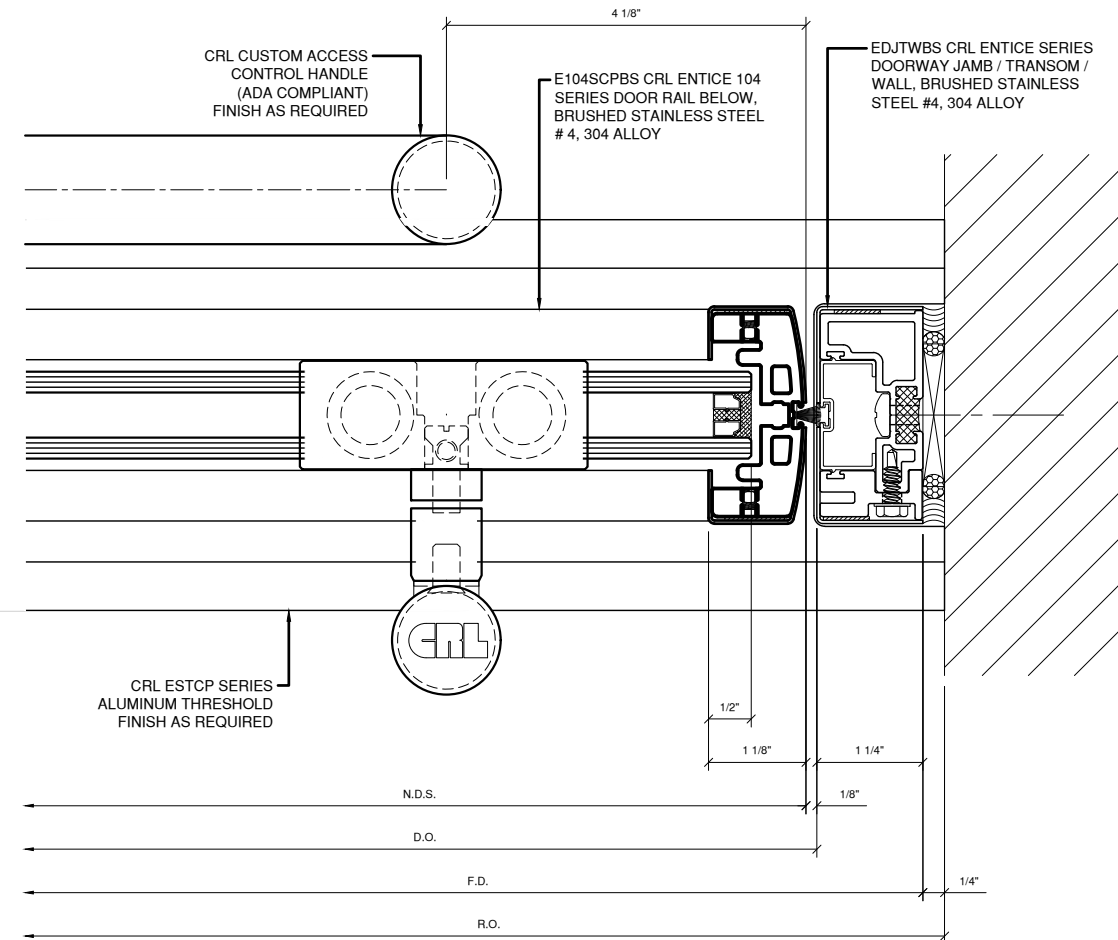
Revisions By:

**CRL**  
A CRH COMPANY

2503 E. Vernon Avenue, Los Angeles, CA 90058-1897  
PH (800)-421-6144 FX: 800-587-7501 www.crlaurence.com



1 DOOR JAMB WITH SIDELITE  
1'-0" = 1'-0" ARCH. REF.: N/A



2 DOOR JAMB AT WALL  
1'-0" = 1'-0" ARCH. REF.: N/A

Description:  
ENTICE SERIES  
ENTRANCE SYSTEM  
CLAD IN STAINLESS  
STEEL OR BRASS

Drawn By: RPD  
Date: 01/28/20  
Scale: AS NOTED  
File Name:  
Entice Entrance System BS, PS, PB, SB.dwg

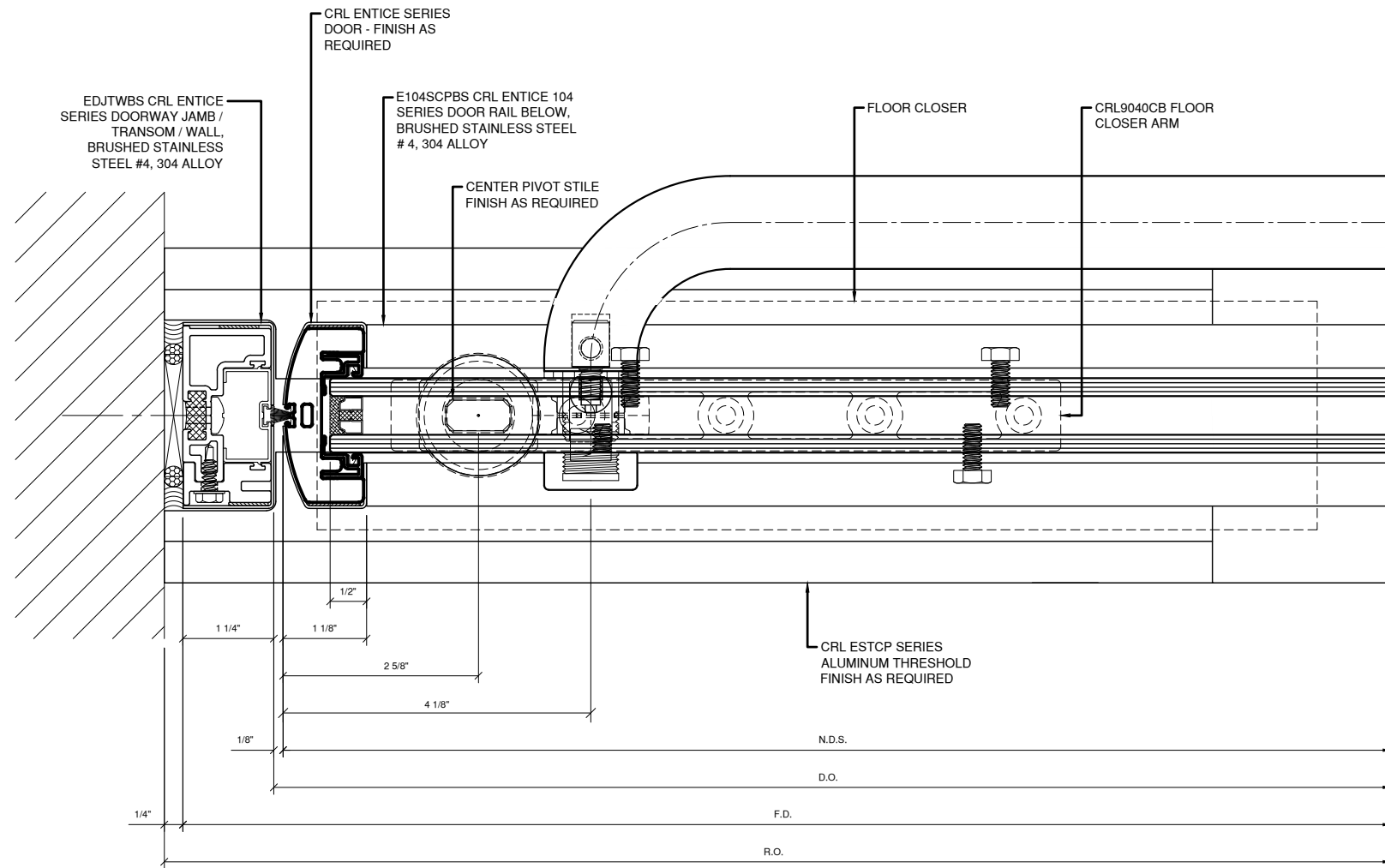
Sheet

3.03

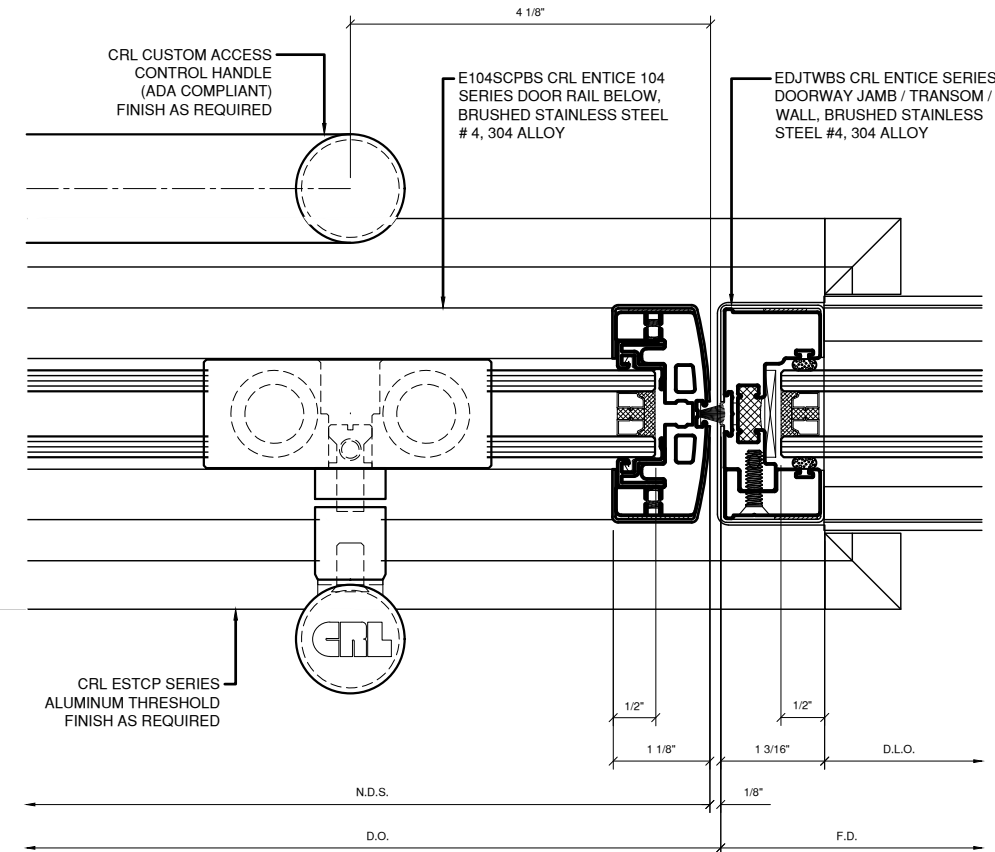
Revisions By:

**CRL**  
A CRH COMPANY

2503 E. Vernon Avenue, Los Angeles, CA 90058-1897  
PH (800)-421-6144 FX: 800-587-7501 www.crlaurence.com



**1** INTERMEDIATE VERTICAL  
1'-0" = 1'-0" ARCH. REF.: N/A



**2** DOOR JAMB WITH SIDELITE  
1'-0" = 1'-0" ARCH. REF.: N/A

Description:  
ENTICE SERIES  
ENTRANCE SYSTEM  
CLAD IN STAINLESS  
STEEL OR BRASS

Drawn By: RPD  
Date: 01/28/20  
Scale: AS NOTED  
File Name:  
Entice Entrance System BS, PS, PB, SB.dwg

Sheet

3.04

Revisions By:

**CRL**  
A CRH COMPANY

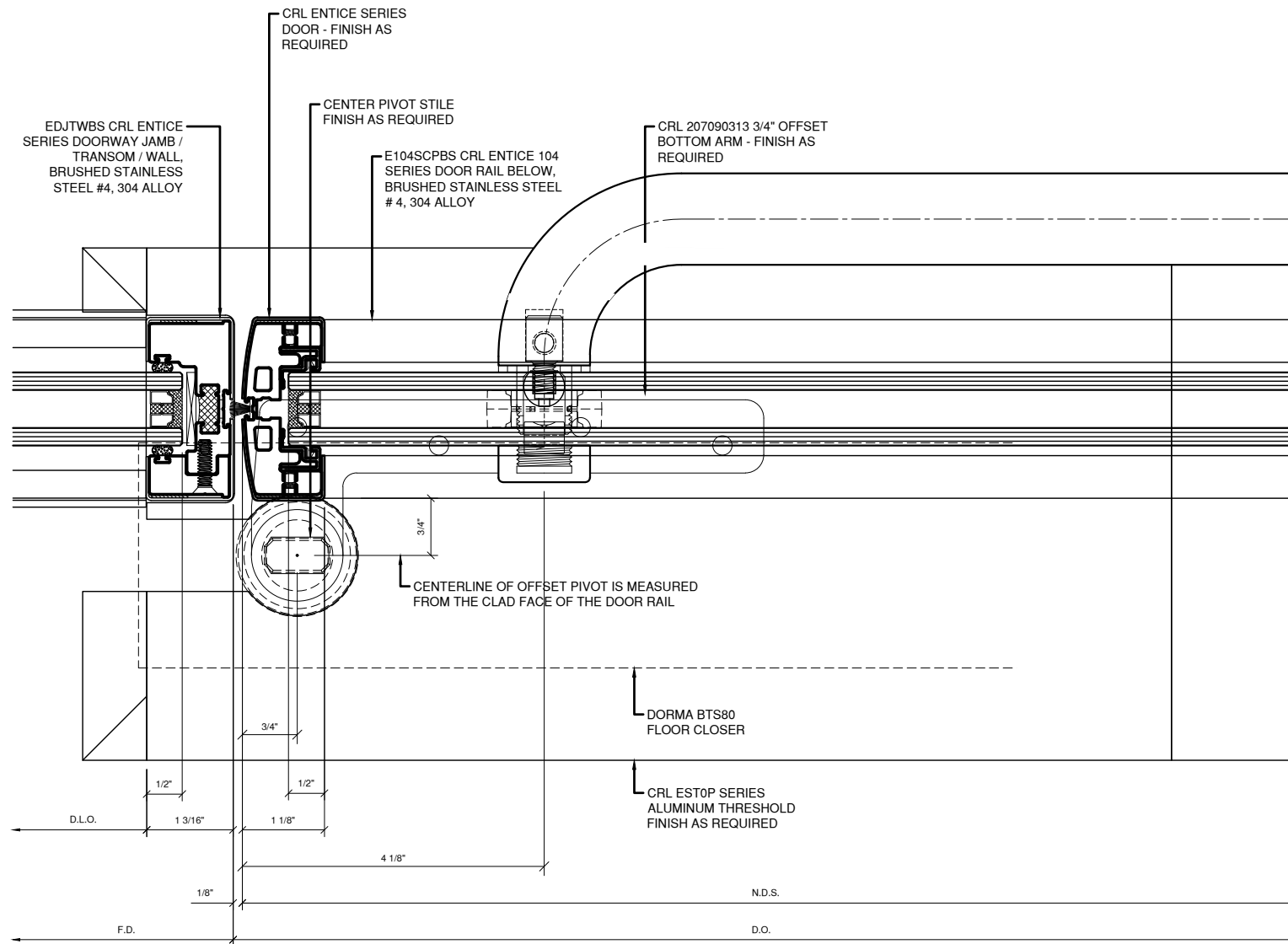
2503 E. Vernon Avenue, Los Angeles, CA 90058-1897  
PH (800)-421-6144 FX: 800-587-7501 www.crlaurence.com

Description:  
ENTICE SERIES  
ENTRANCE SYSTEM  
CLAD IN STAINLESS  
STEEL OR BRASS

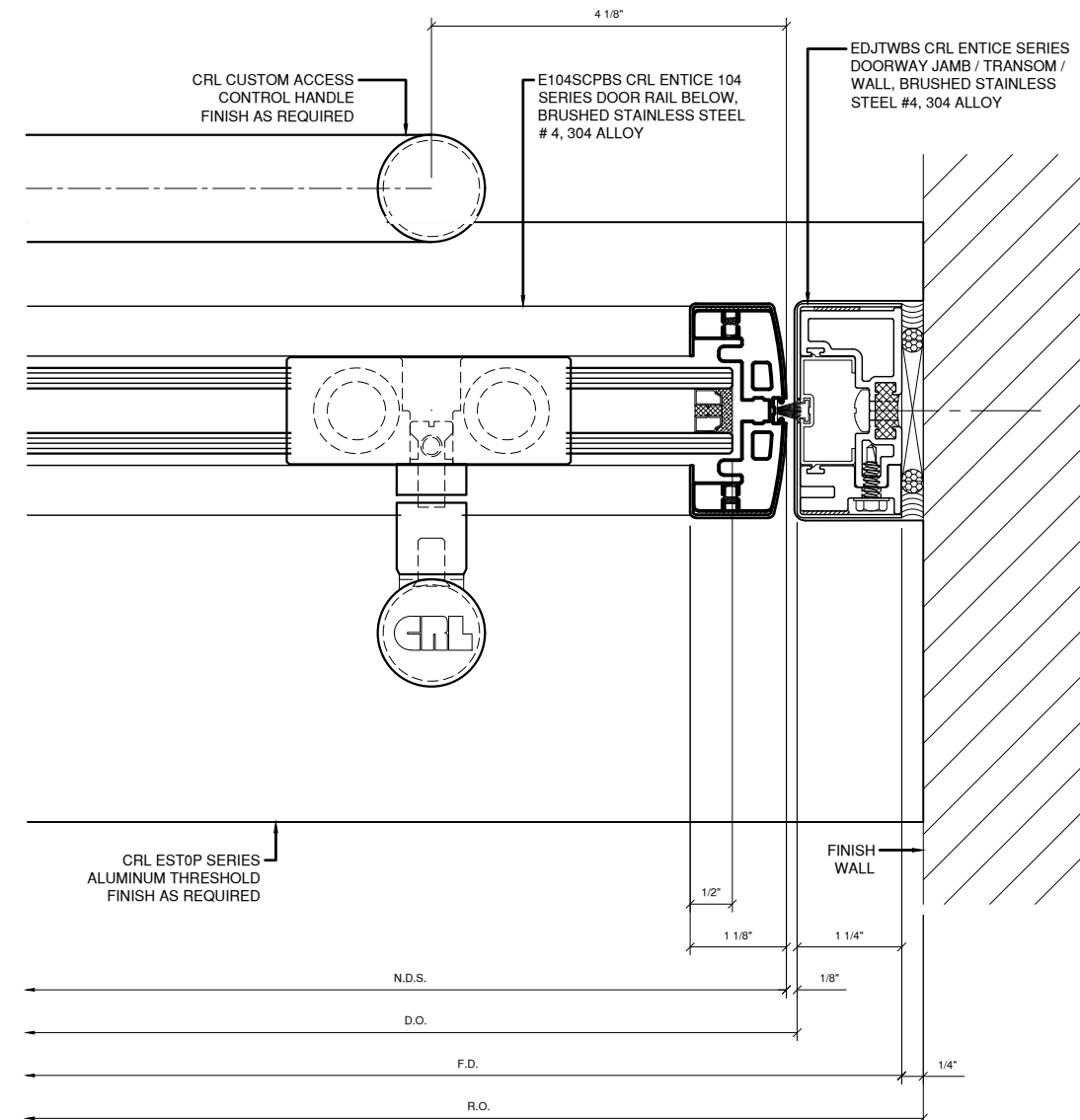
Drawn By: RPD  
Date: 01/28/20  
Scale: AS NOTED  
File Name:  
Entice Entrance System BS, PS, PB, SB.dwg

Sheet

3.05



1 DOOR JAMB WITH SIDELITE  
1'-0" = 1'-0" ARCH. REF.: N/A

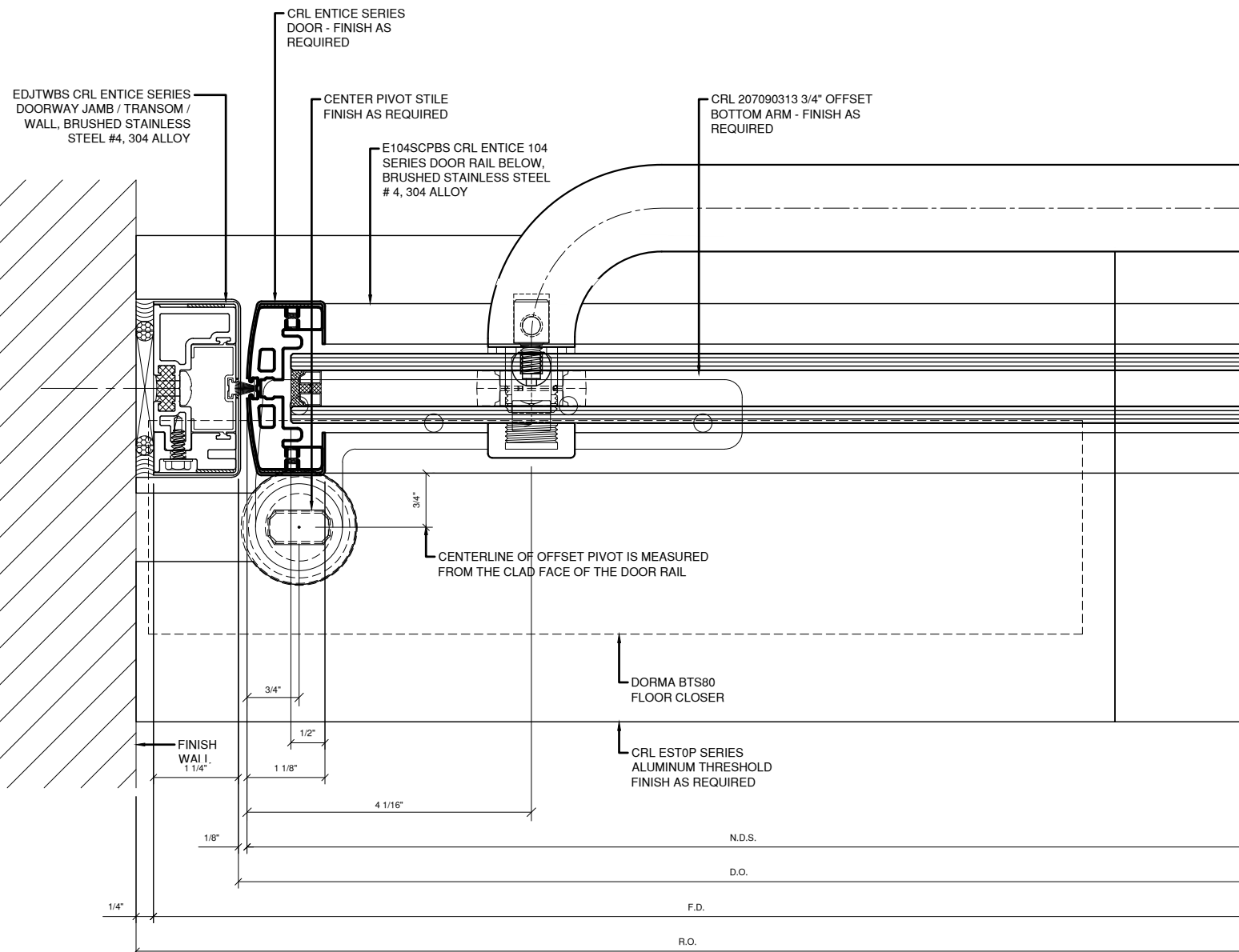


2 DOOR JAMB AT WALL  
1'-0" = 1'-0" ARCH. REF.: N/A

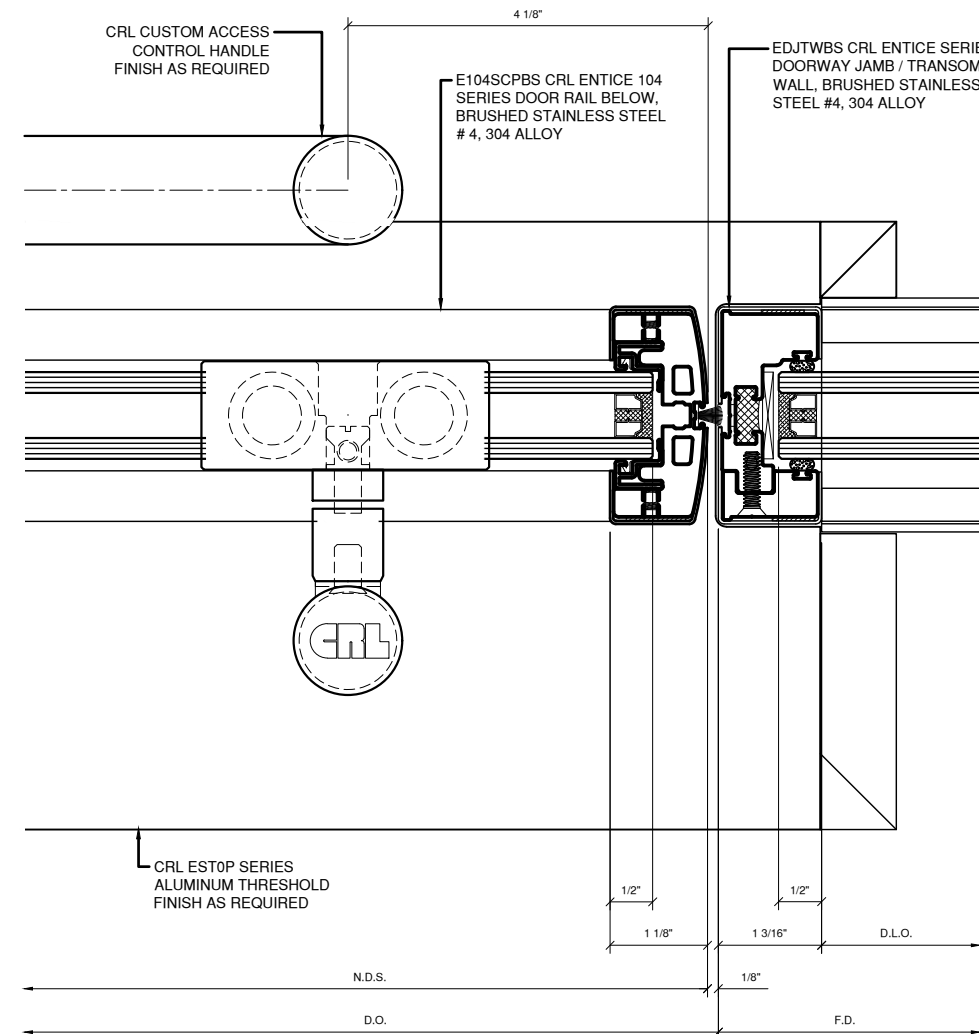
Revisions By:

**CRL**  
A CRH COMPANY

2503 E. Vernon Avenue, Los Angeles, CA 90058-1897  
PH (800)-421-6144 FX: 800-587-7501 www.crlaurence.com



① DOOR JAMB AT WALL  
1'-0" = 1'-0" ARCH. REF.: N/A



② DOOR JAMB AT SIDELITE  
1'-0" = 1'-0" ARCH. REF.: N/A

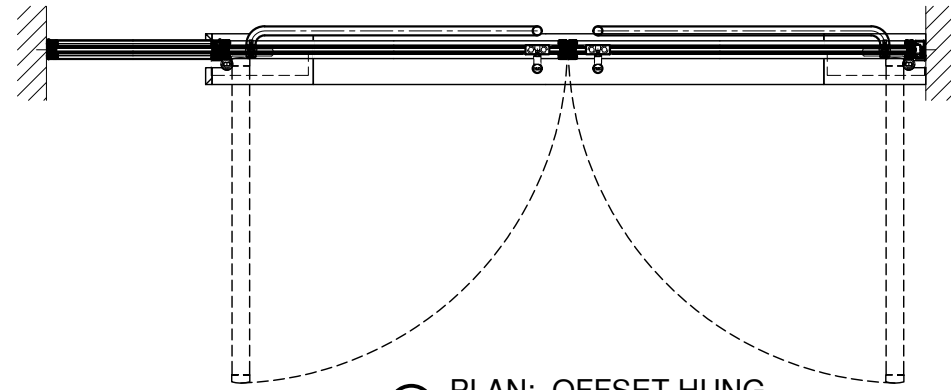
Description:  
ENTICE SERIES  
ENTRANCE SYSTEM  
CLAD IN STAINLESS  
STEEL OR BRASS

Drawn By: RPD  
Date: 01/28/20  
Scale: AS NOTED  
File Name:  
Entice Entrance System BS, PS, PB, SB.dwg

Sheet

3.06

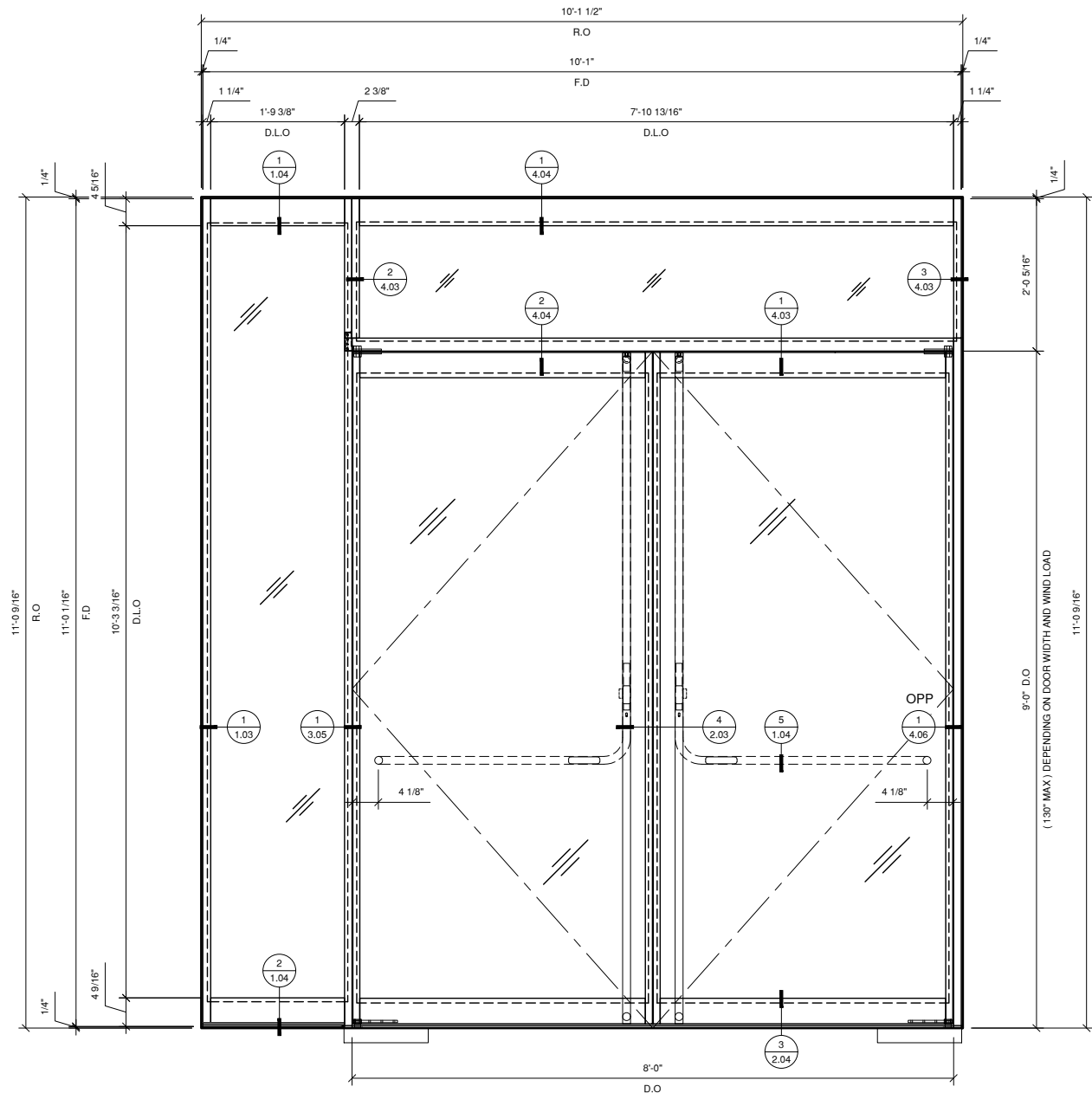
ENTICE SERIES ENTRANCE SYSTEM BS, PS, PB, & SB - OFFSET HUNG DOUBLE DOOR WITH 4 INCH BOTTOM RAIL AND TRANSOM



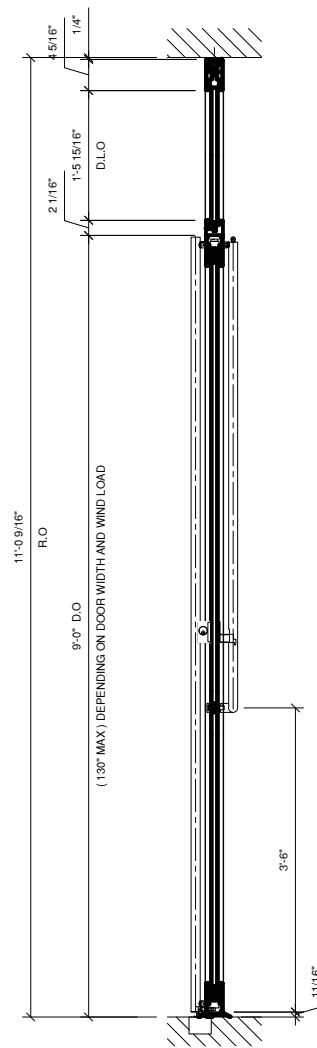
1 PLAN: OFFSET HUNG  
1" = 1'-0" ARCH. REF.: N/A



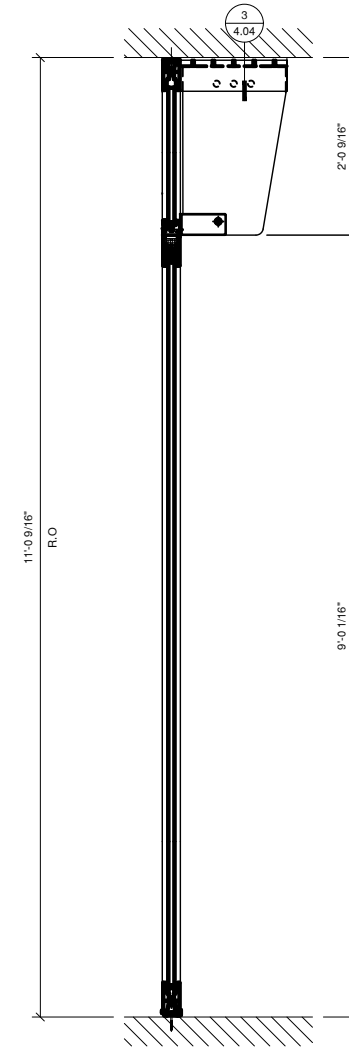
1A PLAN: TRANSOM  
1" = 1'-0" ARCH. REF.: N/A



2 EXTERIOR ELEVATION  
1" = 1'-0" ARCH. REF.: N/A



3 DOOR SECTION  
1" = 1'-0" ARCH. REF.: N/A



4 SIDELIGHT SECTION  
1" = 1'-0" ARCH. REF.: N/A

Revisions By:

**CRL**  
A CRH COMPANY

2503 E. Vernon Avenue, Los Angeles, CA 90058-1897  
PH (800)-421-6144 FX: 800-587-7501 www.crlaurence.com

Description:  
ENTICE SERIES  
ENTRANCE SYSTEM  
CLAD IN STAINLESS  
STEEL OR BRASS

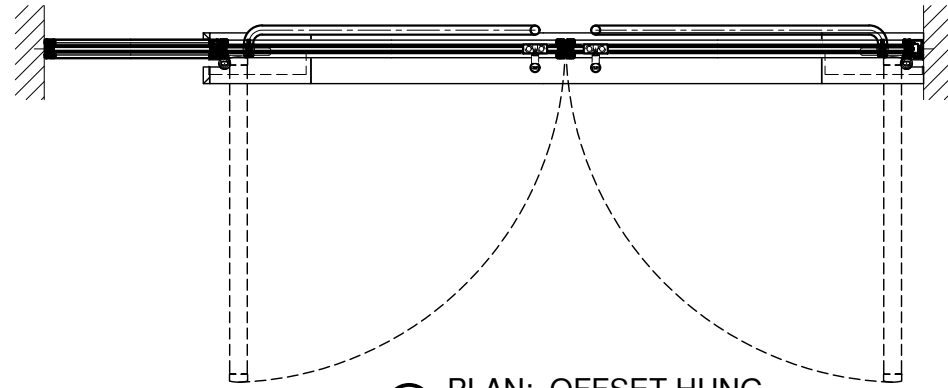
Drawn By: RPD  
Date: 01/28/20  
Scale: AS NOTED  
File Name: Entice Entrance System BS, PS, PB, SB.dwg

Sheet

4.01



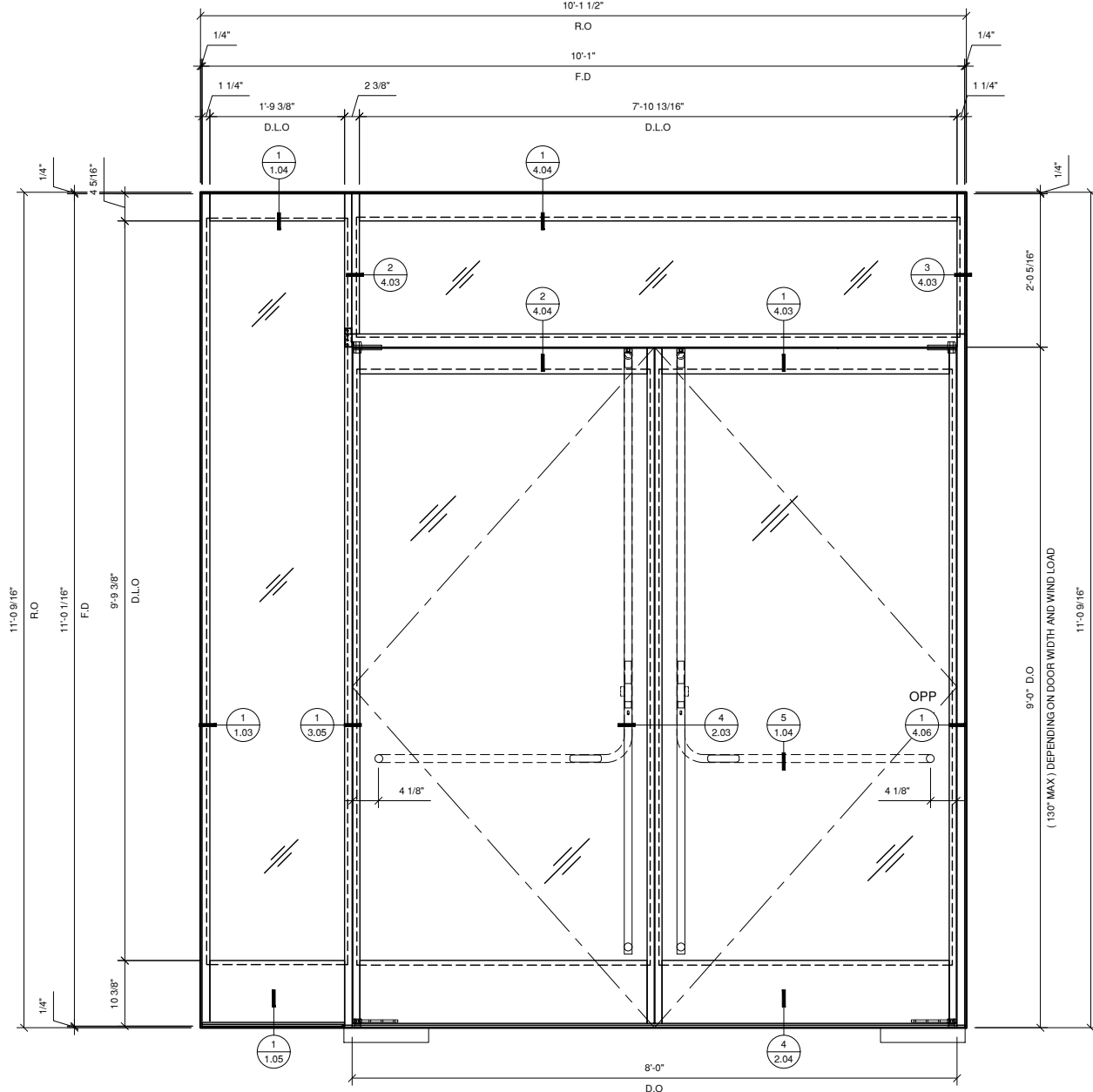
ENTICE SERIES ENTRANCE SYSTEM BS, PS, PB, & SB - OFFSET HUNG DOUBLE DOOR WITH 10 INCH BOTTOM RAIL AND TRANSOM



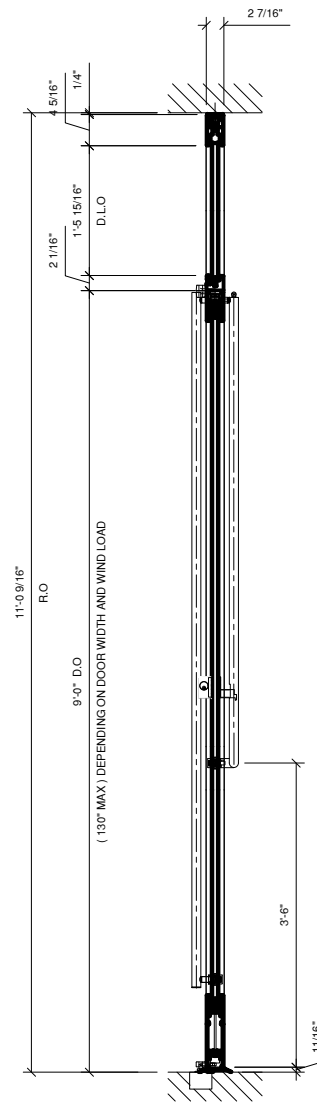
① PLAN: OFFSET HUNG  
1" = 1'-0" ARCH. REF.: N/A



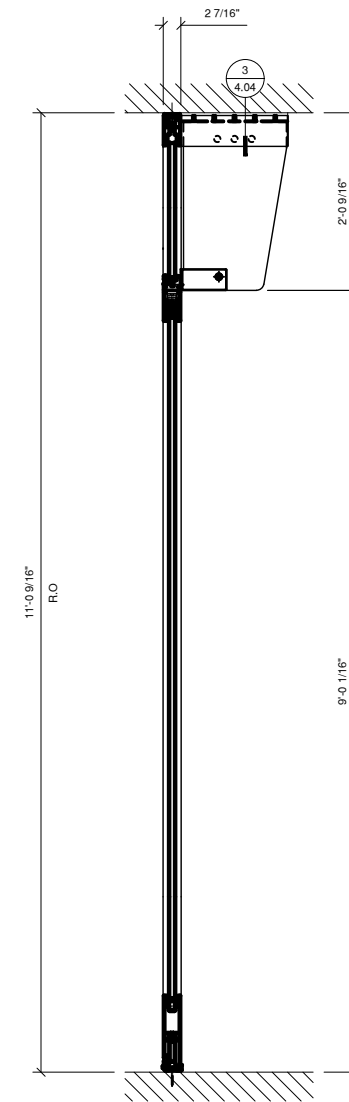
①A PLAN: TRANSOM  
1" = 1'-0" ARCH. REF.: N/A



② EXTERIOR ELEVATION  
1" = 1'-0" ARCH. REF.: N/A



③ DOOR SECTION  
1" = 1'-0" ARCH. REF.: N/A



④ SIDELIGHT SECTION  
1" = 1'-0" ARCH. REF.: N/A

Revisions By:

**CRL**  
A CRH COMPANY

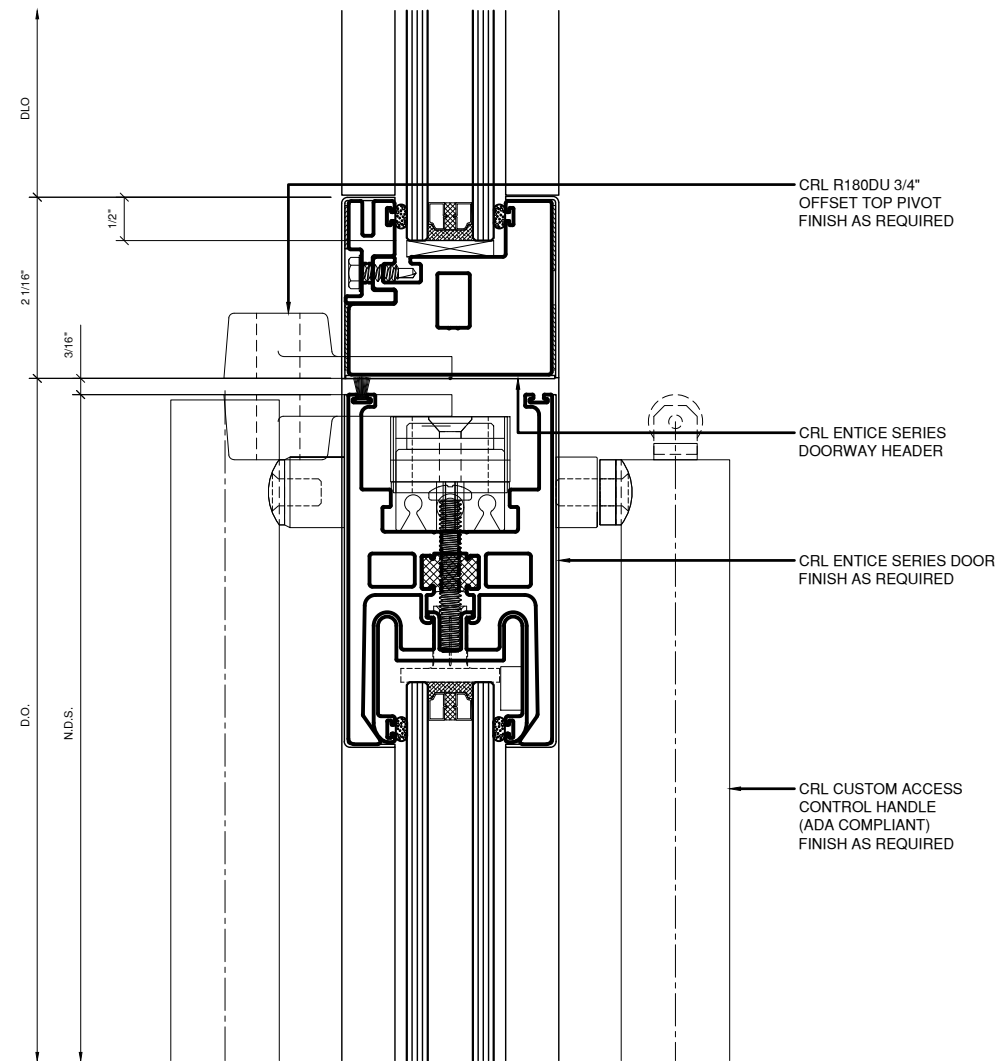
2503 E. Vernon Avenue, Los Angeles, CA 90058-1897  
PH (800)-421-6144 FX: 800-587-7501 www.crlaurence.com

Description:  
ENTICE SERIES  
ENTRANCE SYSTEM  
CLAD IN STAINLESS  
STEEL OR BRASS

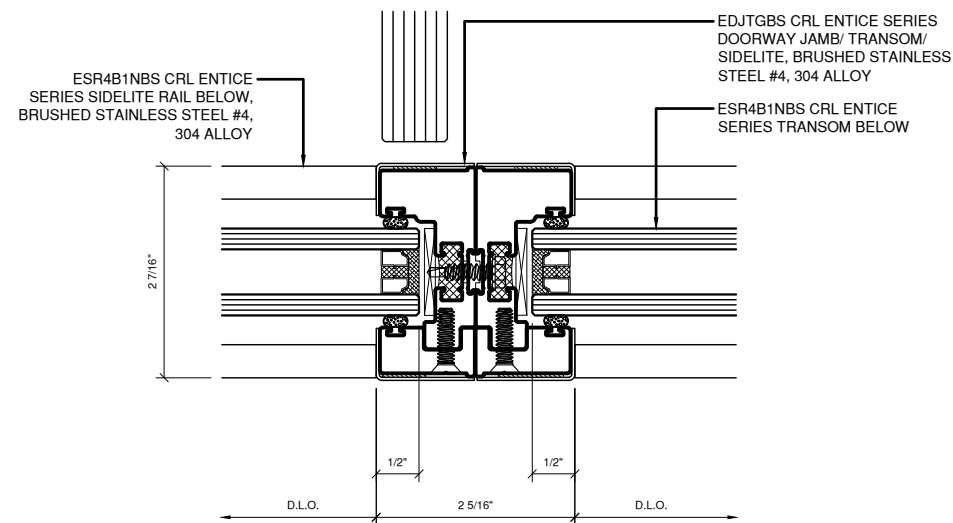
Drawn By: RPD  
Date: 01/28/20  
Scale: AS NOTED  
File Name:  
Entice Entrance System BS, PS, PB, SB.dwg

Sheet

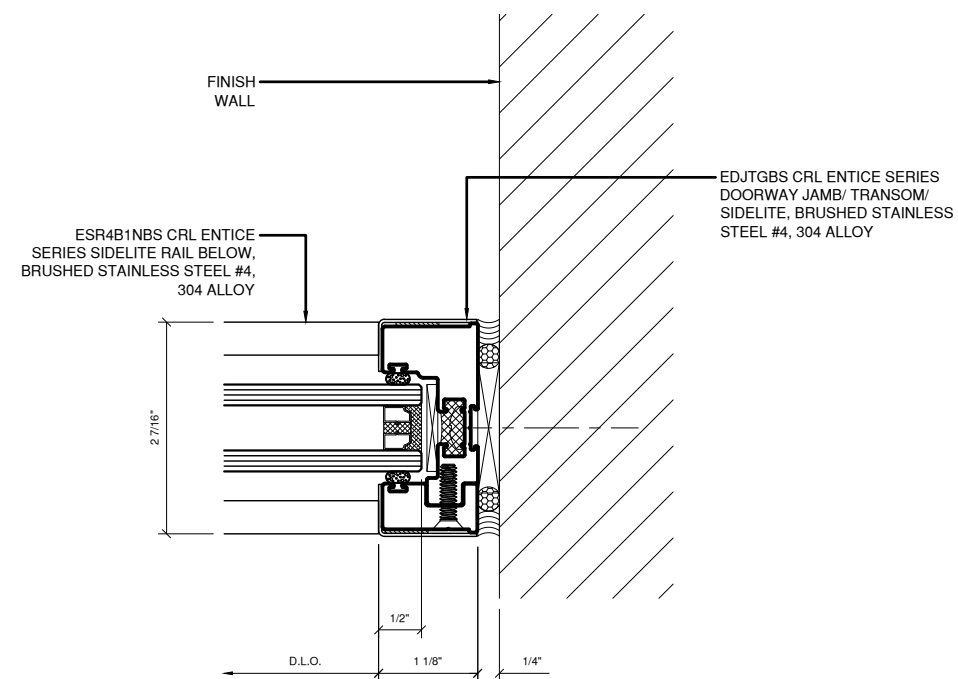
4.02



**1** DOOR HEAD / TRANSOM  
1'-0" = 1'-0" ARCH. REF.: N/A



**2** ENTICE SIDELITE AT TRANSOM  
1'-0" = 1'-0" ARCH. REF.: N/A



**3** ENTICE TRANSOM AT WALL DETAIL  
1'-0" = 1'-0" ARCH. REF.: N/A

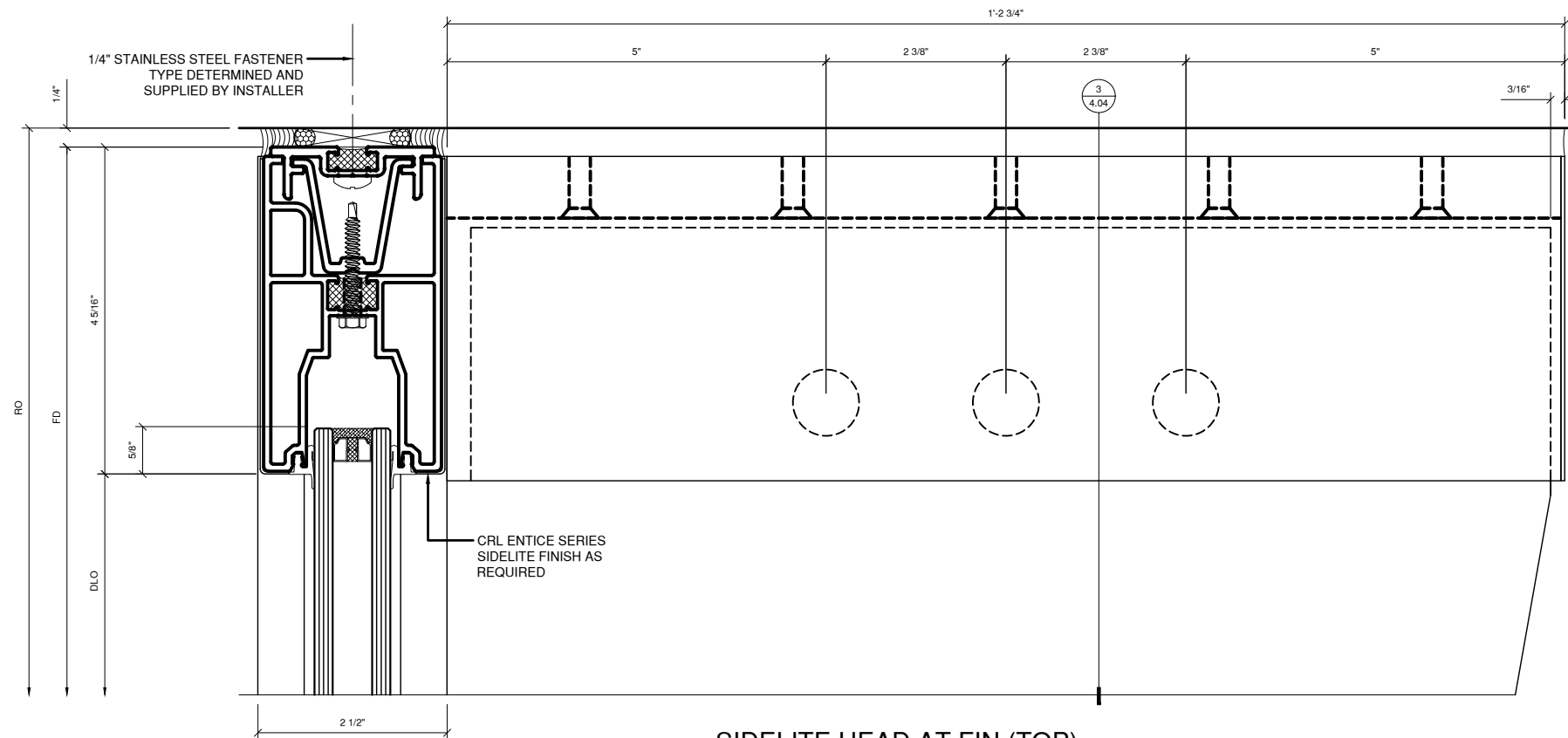
Revisions By:



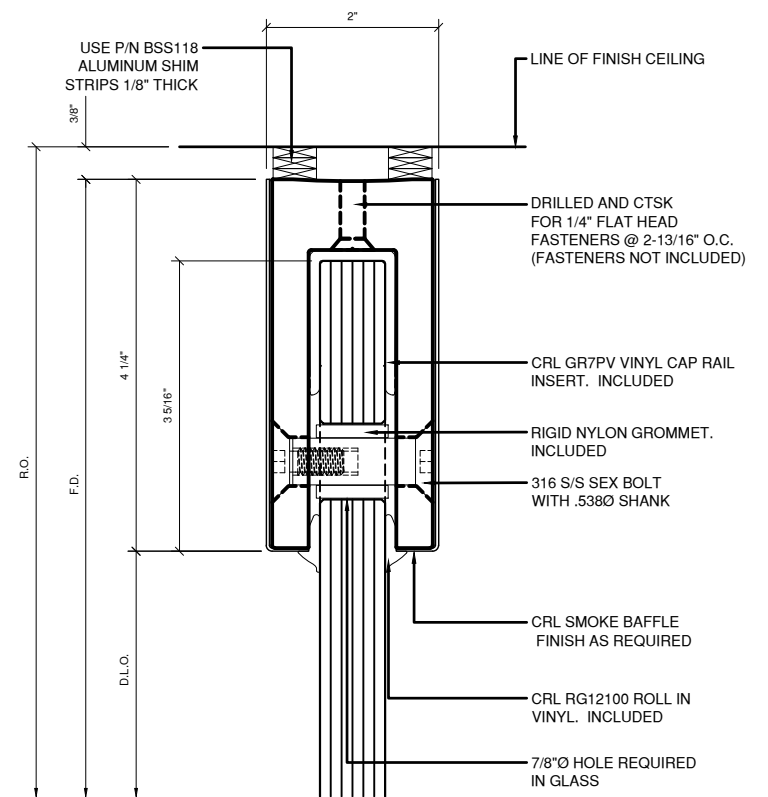
2503 E. Vernon Avenue, Los Angeles, CA 90058-1897  
PH (800)-421-6144 FX: 800-587-7501 www.crlaurence.com

Description:  
ENTICE SERIES  
ENTRANCE SYSTEM  
CLAD IN STAINLESS  
STEEL OR BRASS

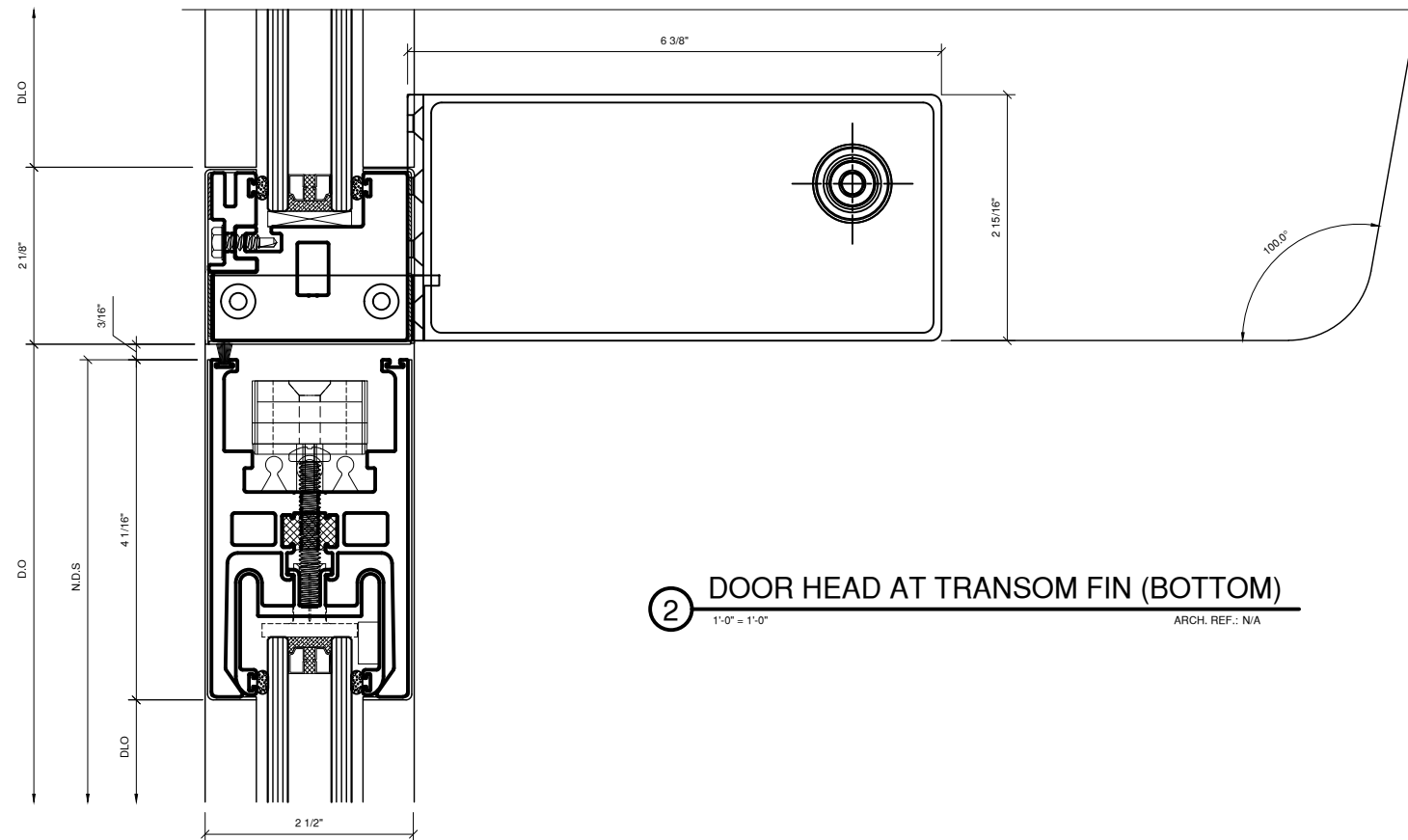
Drawn By: RPD  
Date: 01/28/20  
Scale: AS NOTED  
File Name:  
Entice Entrance System BS, PS, PB, SB.dwg



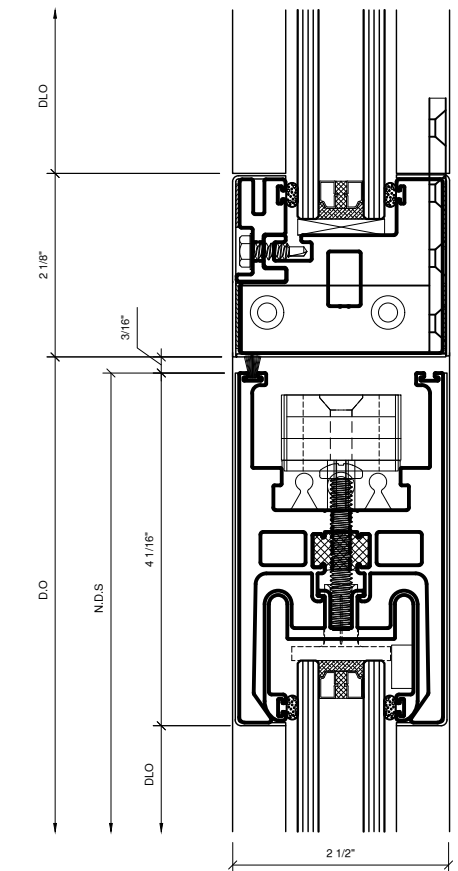
1 SIDELITE HEAD AT FIN (TOP)  
1'-0" = 1'-0" ARCH. REF.: N/A



3 SUPPORT FIN TOP MOUNT  
1'-0" = 1'-0" ARCH. REF.: N/A



2 DOOR HEAD AT TRANSOM FIN (BOTTOM)  
1'-0" = 1'-0" ARCH. REF.: N/A



4 DOOR HEAD AT TRANSOM / BRACKET (BOTTOM)  
1'-0" = 1'-0" ARCH. REF.: N/A

Revisions By:



2503 E. Vernon Avenue, Los Angeles, CA 90058-1897  
PH (800)-421-6144 FX: 800-587-7501 www.crlaurence.com

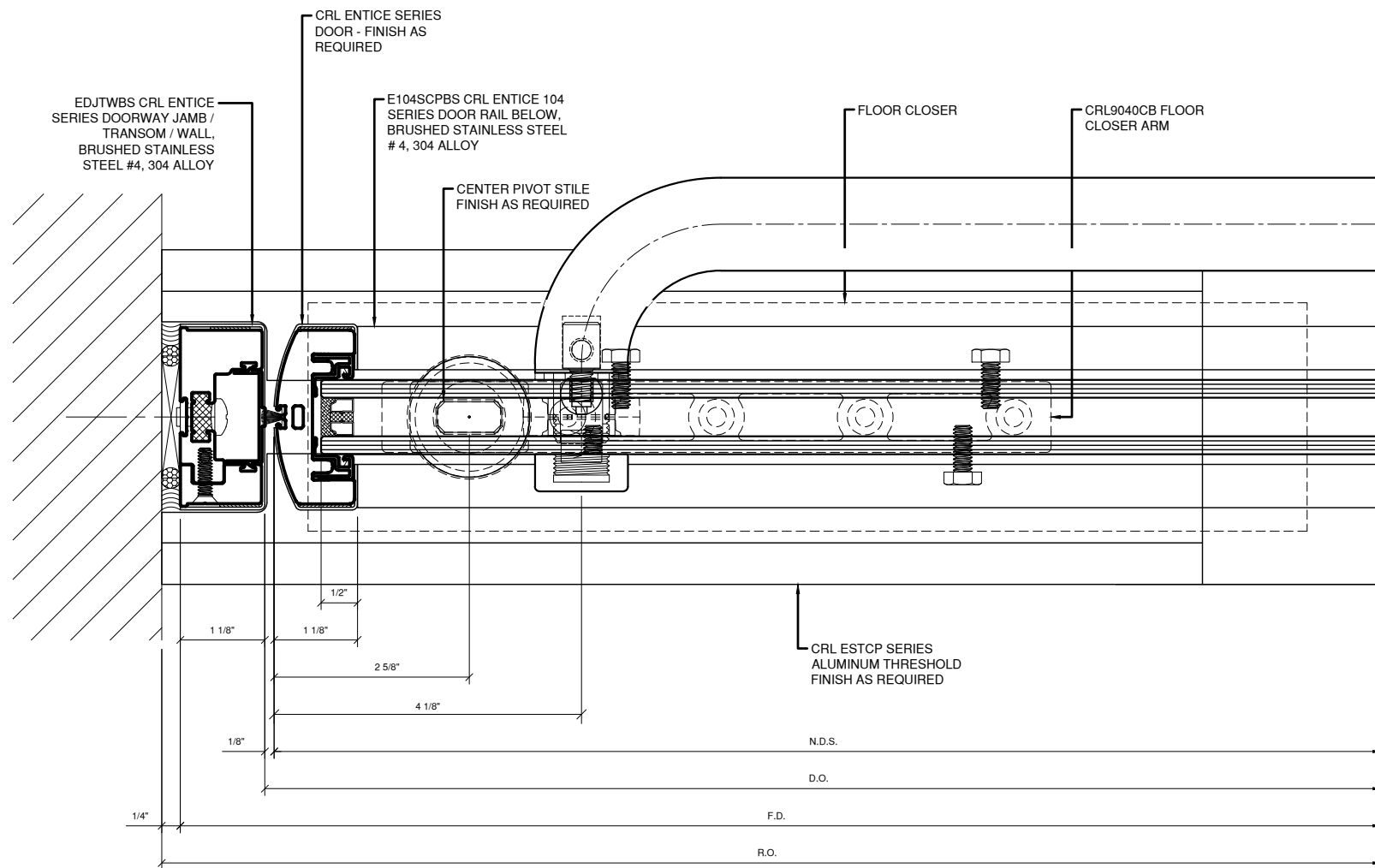
Description:  
ENTICE SERIES  
ENTRANCE SYSTEM  
CLAD IN STAINLESS  
STEEL OR BRASS

Drawn By: RPD  
Date: 01/28/20  
Scale: AS NOTED  
File Name:  
Entice Entrance System BS, PS, PB, SB.dwg  
Sheet

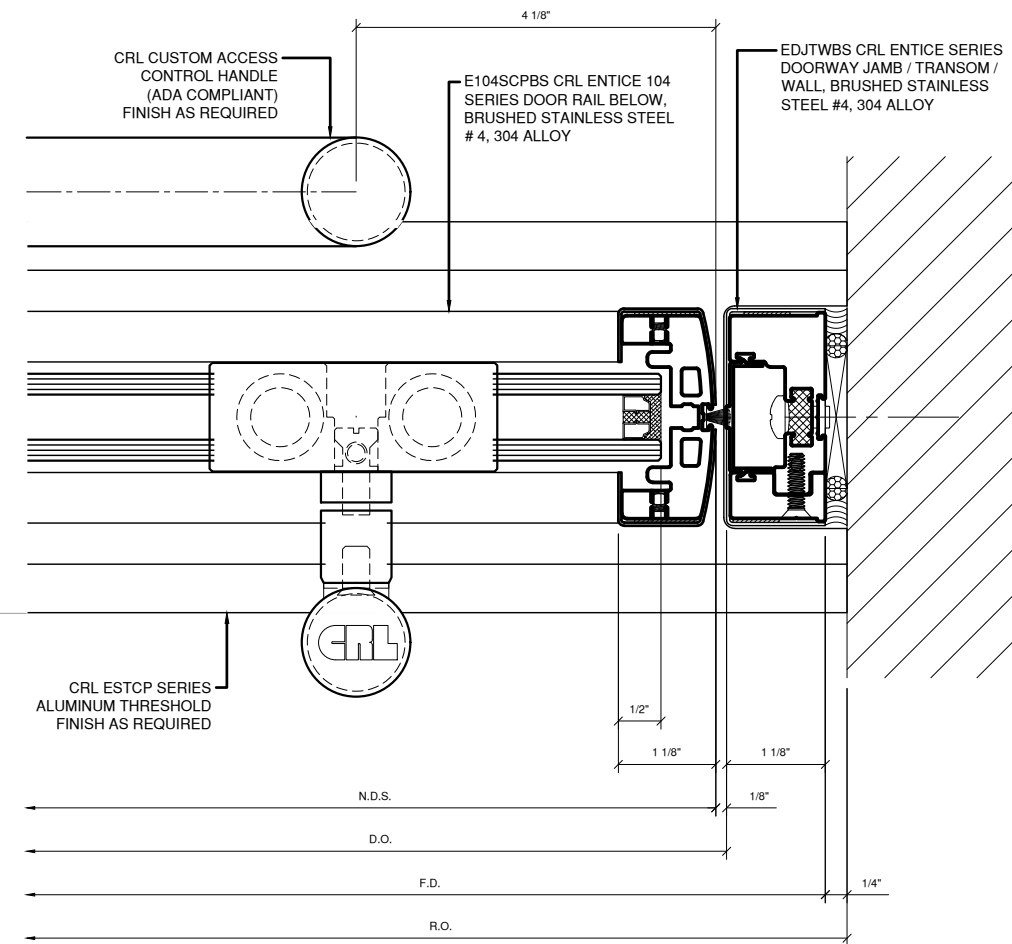
Revisions By:

**CRL**  
A CRH COMPANY

2503 E. Vernon Avenue, Los Angeles, CA 90058-1897  
PH (800)-421-6144 FX: 800-587-7501 www.crlaurence.com



① INTERMEDIATE VERTICAL  
1'-0" = 1'-0" ARCH. REF.: N/A



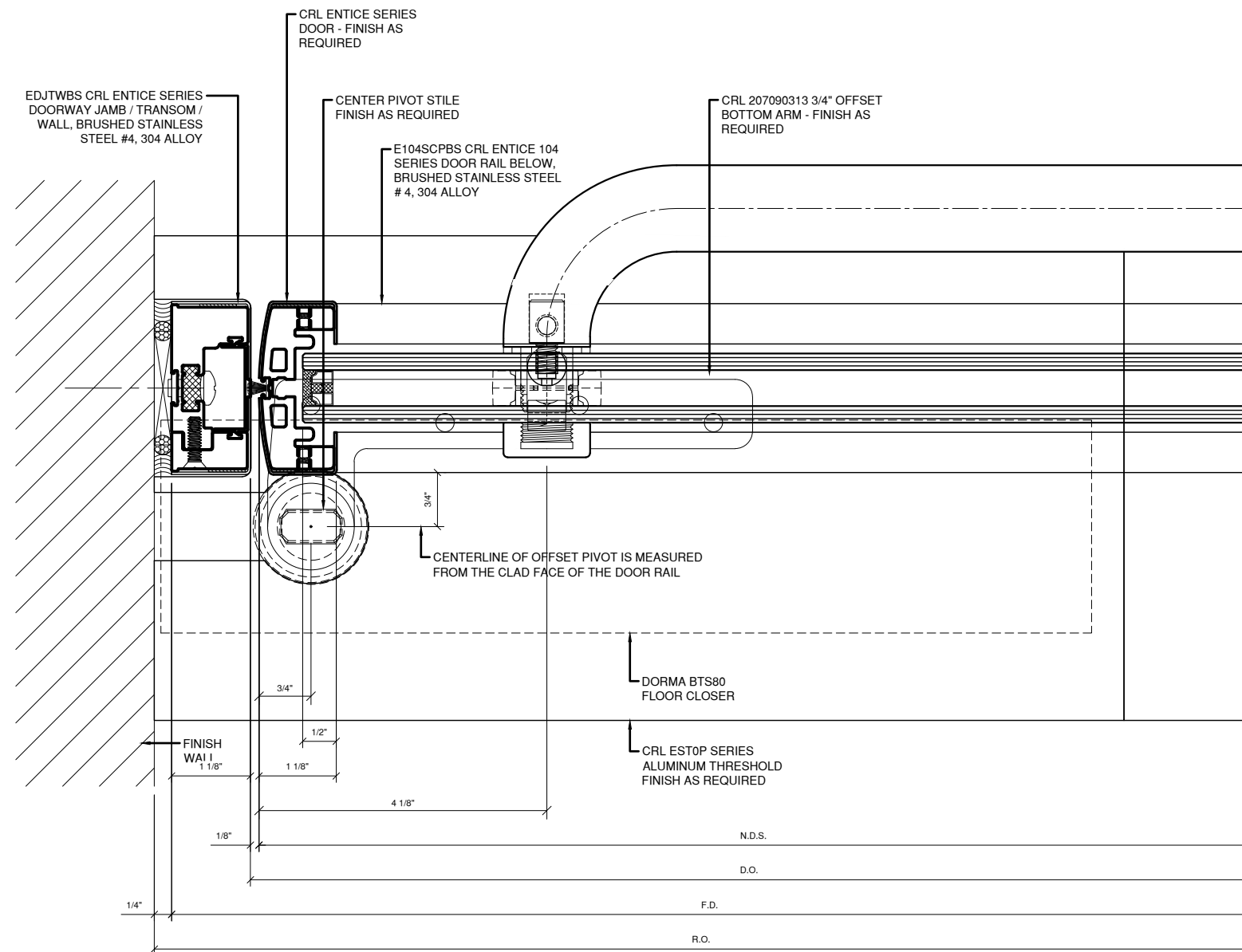
② DOOR JAMB AT WALL  
1'-0" = 1'-0" ARCH. REF.: N/A

Description:  
ENTICE SERIES  
ENTRANCE SYSTEM  
CLAD IN STAINLESS  
STEEL OR BRASS

Drawn By: RPD  
Date: 01/28/20  
Scale: AS NOTED  
File Name:  
Entice Entrance System BS, PS, PB, SB.dwg

Sheet

4.05



1 DOOR JAMB AT WALL  
1'-0" = 1'-0" ARCH. REF.: N/A

Revisions By:

**CRL**  
A CRH COMPANY

2503 E. Vernon Avenue, Los Angeles, CA 90058-1897  
PH (800)-421-6144 FX: 800-587-7501 www.crlaurence.com

Description:  
ENTICE SERIES  
ENTRANCE SYSTEM  
CLAD IN STAINLESS  
STEEL OR BRASS

Drawn By: RPD  
Date: 01/28/20  
Scale: AS NOTED  
File Name:  
Entice Entrance System BS, PS, PB, SB.dwg  
Sheet

4.06