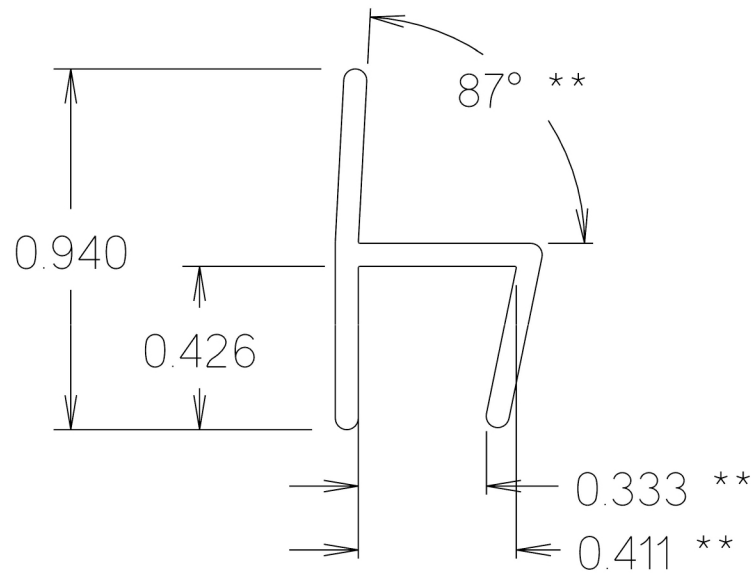




ACTUAL SIZE



- 0.060 WALL THICKNESS
- MATERIAL: PETG
- CUT-OFF: SEE WORK ORDER
- "xx" INDICATES CRITICAL DIMENSION

3/8 CLEAR "H" JAMB/USH

SCALE: 2:1 DATE: NOV 25/21