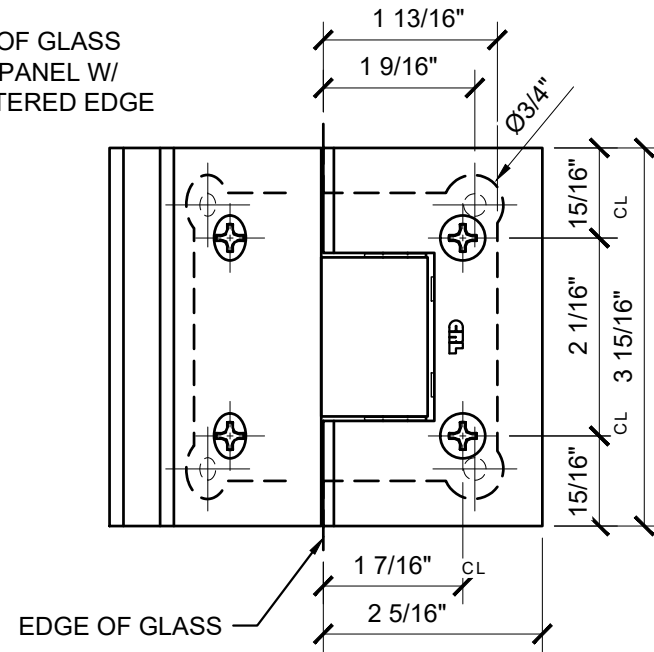
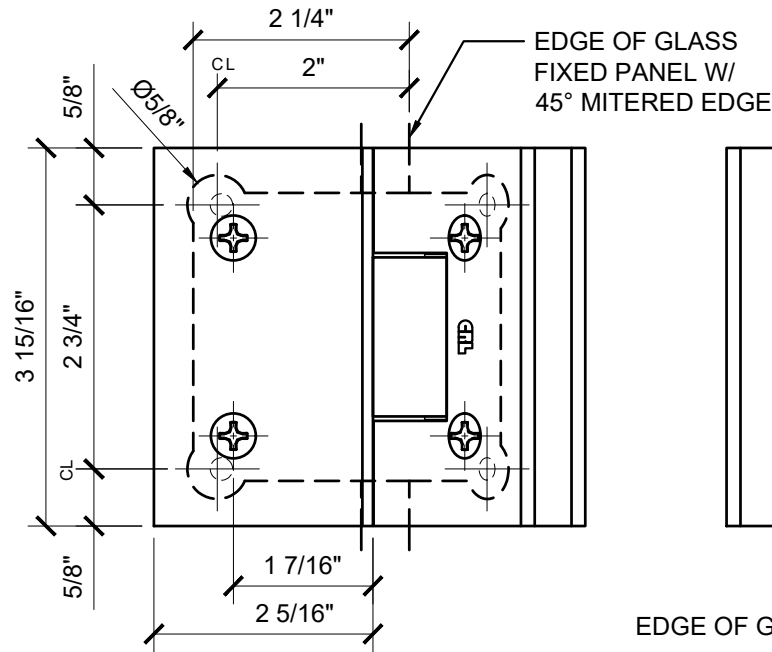
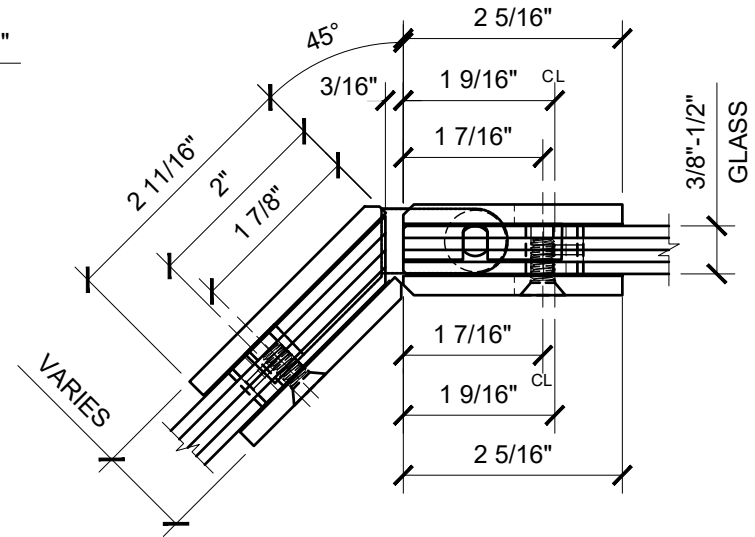
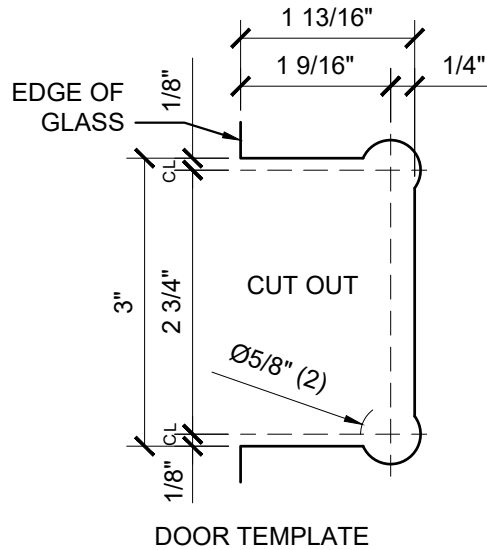
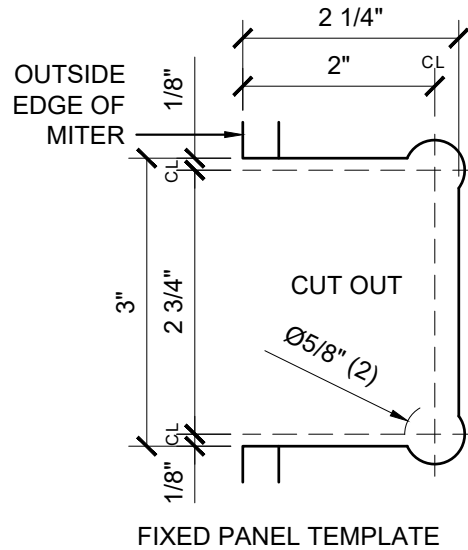


USE OF GASKETS

FOR 3/8" (10mm) GLASS: USE ONE THICK GASKET ON EACH SIDE  
 FOR 1/2" (12mm) GLASS: USE ONE THIN GASKET ON EACH SIDE



CATALOG NUMBER	FINISH
V1E045CH	CHROME
V1E045BN	BRUSHED NICKEL
V1E045PN	POLISHED NICKEL
V1E0450RB	OIL RUBBED BRONZE
V1E045BR	BRASS
V1E045MBL	MATTE BLACK
V1E045SB	SATIN BRASS
V1E045SN	SATIN NICKEL
V1E045BBRZ	BRUSHED BRONZE
V1E045SC	SATIN CHROME
V1E045ABR	ANTIQUE BRASS
V1E045BL	BLACK W/ CHROME ACCENTS
V1E045BSC	BRUSHED SATIN CHROME
V1E045GB	GOLD PLATED
V1E045AW	ALL WHITE
V1E045ABN	ANTIQUE BRUSHED NICKEL
V1E045ABRZ	ANTIQUE BRONZE
V1E045ABC0	ANTIQUE BRUSHED COPPER
V1E045GM	GUN METAL
V1E045CBA	CHROME W/ BRASS ACCENTS
V1E045BC0	BRUSHED COPPER
V1E045ABL	ALL BLACK
V1E045WC	WHITE W/ CHROME ACCENTS

V1E045XX - CRL VIENNA SERIES 135° GLASS TO GLASS HINGE

DATE: 11/15/17  
 SCALE: 6"=1'-0"  
 DRAWN BY: VM

DESCRIPTION: CRL V1E045  
 VIENNA SERIES  
 135° GLASS TO GLASS HINGE

C.R.LAURENCE CO. ARCHITECTURAL PRODUCTS  
 2503 E. Vernon Avenue, Los Angeles, C.A 90058-1897  
 PH (800)-421-6144 FX: 800-587-7501 www.crlaurence.com

