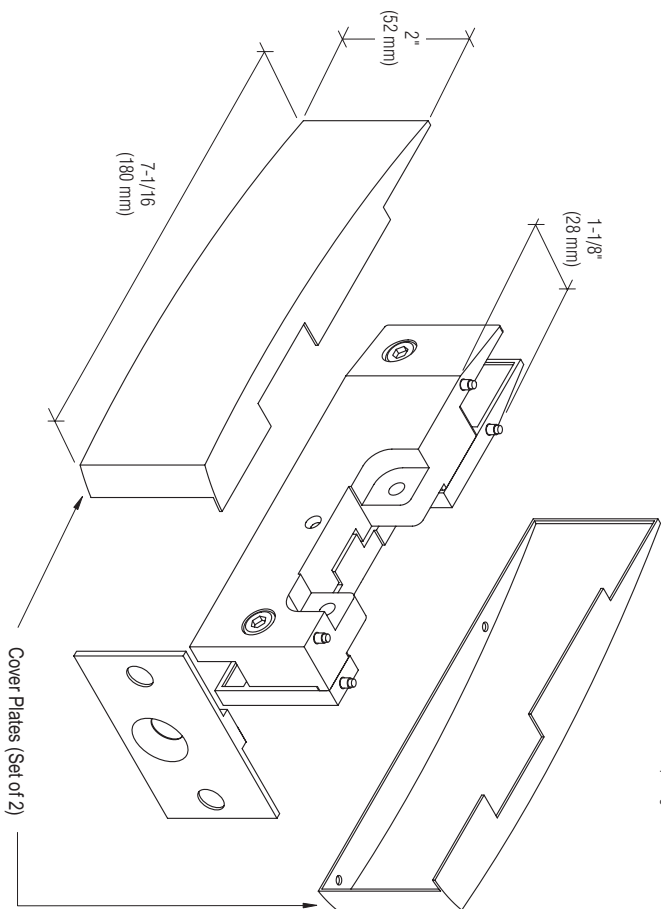
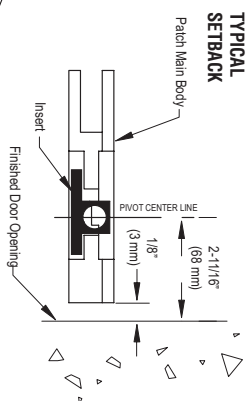


Important Information:

The CPF34 Wall Mount Transom Patch is designed for 2-11/16" (68 mm) set back. This dimension is measured from the "finished" door opening to the pivot center line.



Specifications:

Glass Sizes: 3/8" (10 mm) to 1/2" (12 mm) thick tempered safety glass

Construction: High density casting

Glass Fabrication Required: Cut-Out and Hole Required - See Reverse

Includes: Base Fitting, Insert, Cover Plates, Satin Aluminum Wall Mount Plate, Screws, and Gaskets for 3/8" (10 mm) and 1/2" (12 mm) Glass

Available Finishes:

- Brushed Stainless Steel
- Polished Stainless Steel

Use of Gaskets:

For 3/8" (10 mm) Glass: Use two gaskets on each side

For 1/2" (12 mm) Glass: Use one gasket on each side

Recommendations:

For public safety, we recommend the use of tempered safety glass only.

SEE TEMPLATE ON BACK

Refer to Dimensions Shown to Ensure Accuracy

CRL CURVED FACE PLATE WALL MOUNTED TRANSOM PATCH

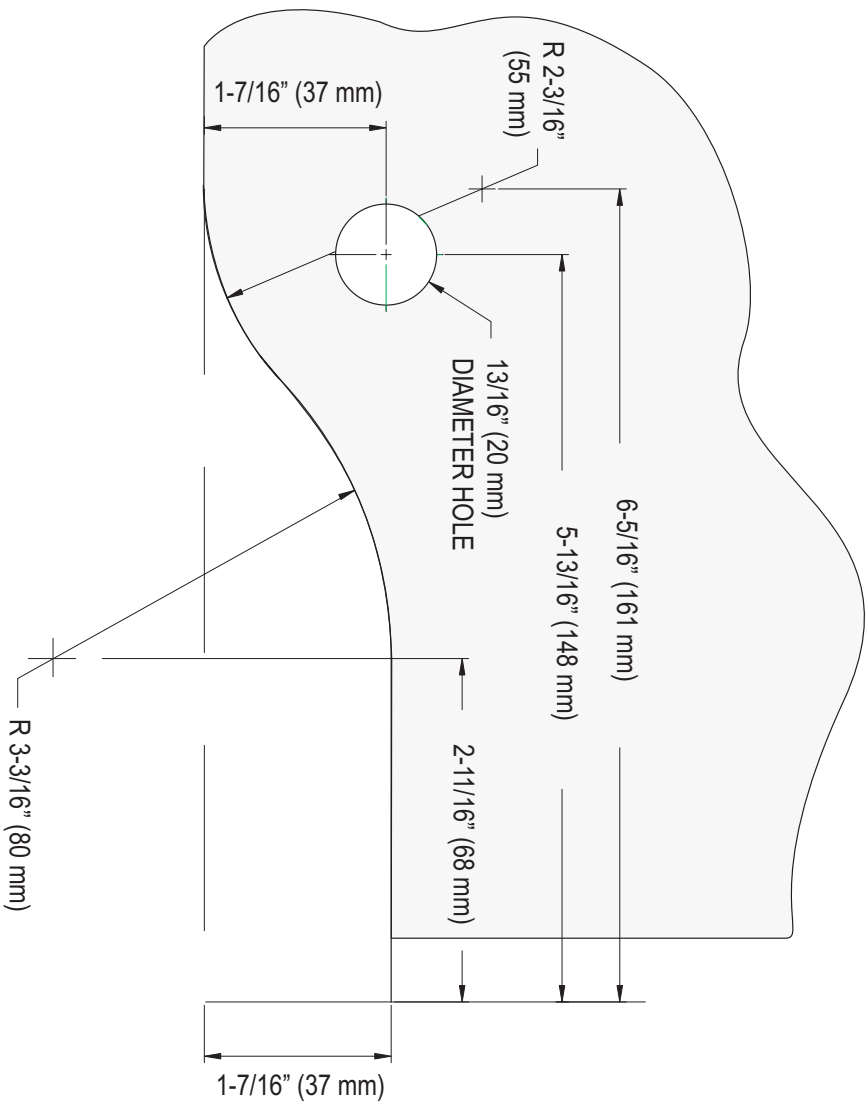
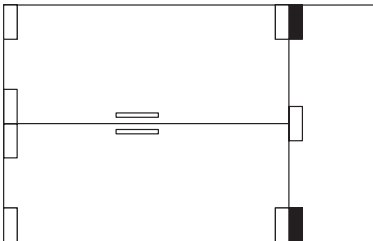
TYPICAL 2-11/16" (68 mm) SET BACK

INCLUDES: INSERT, COVER PLATES

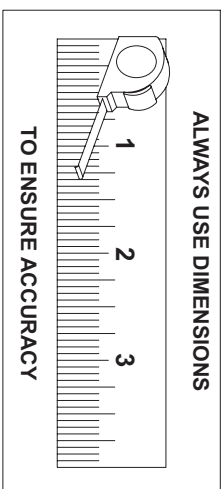
Cat. No. CPF34



C.R. LAURENCE CO., INC.
PROFESSIONAL QUALITY



TRANSOM
GLASS



CRL CURVED FACE PLATE WALL MOUNTED TRANSOM PATCH

TYPICAL 2-11/16" (68 mm) SET BACK

Applicable to Cat. No. **CPF34**

C.R. Laurence Co., Inc.
crlaurence.com

For technical assistance in the United States call toll free (800) 421-6144; from Canada call toll free (877) 421-6144;
Outside the U.S. and Canada call (323) 588-1281. Ask for Tech Sales at Extension 7700. Toll free fax (800) 587-7501.