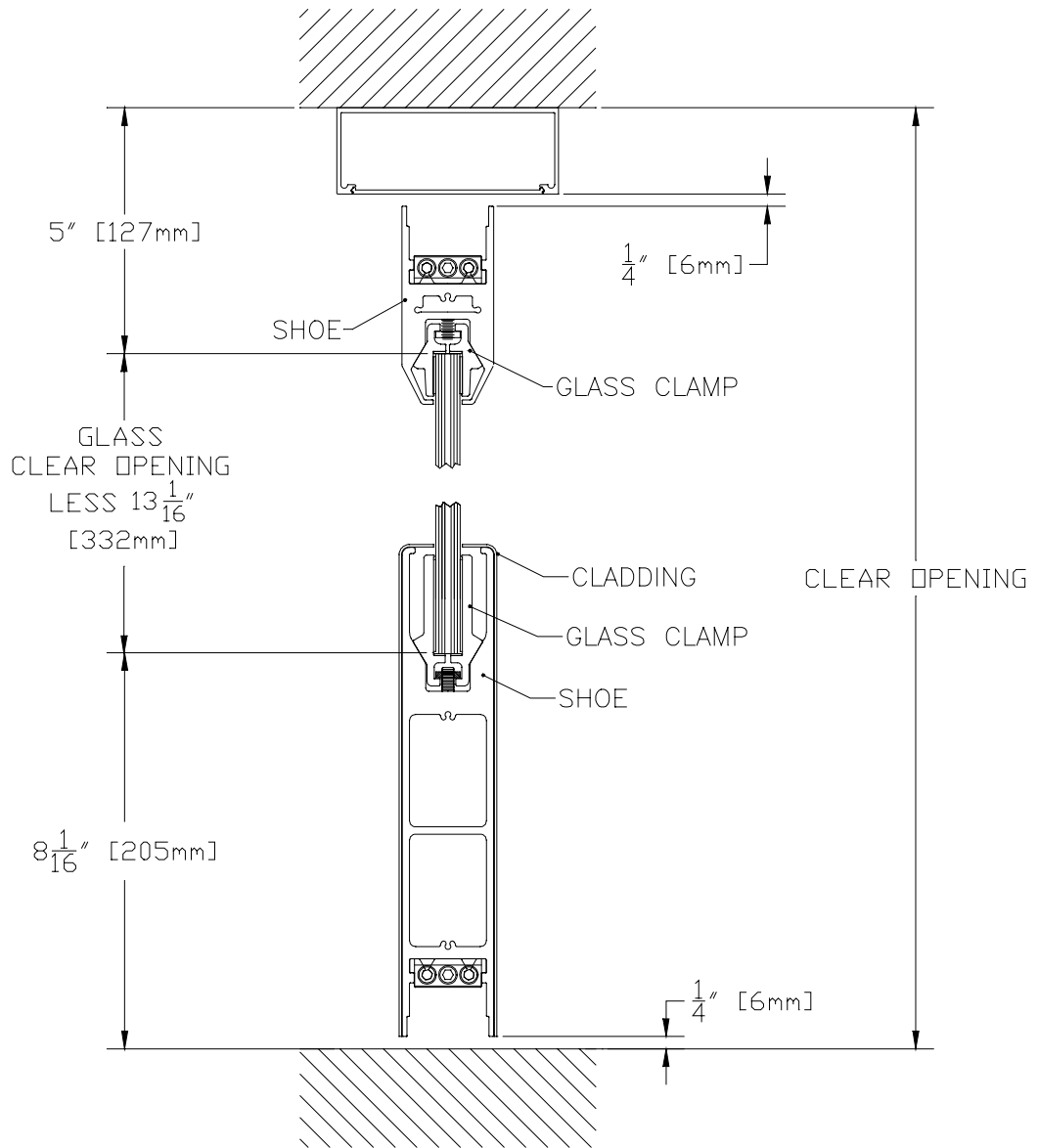


NOTES:
 IF 1/2"[13mm] THRESHOLD IS USED,
 THE DIMENSION FROM FLOOR TO GLASS
 INCREASES BY 1/2"[13mm] I.E. GLASS
 IS CLEAR OPENING LESS 13-9/16"[345mm]



4" TAPERED DOOR RAIL TOP NON CLAD
 10" SQUARE DOOR RAIL BOTTOM CLAD
 WITH NON CLAD HEADER

GNL DOOR RAIL SYSTEM

C.R. Laurence Architectural Products

Phone Orders (800) 421-6144

Fax Orders (800) 262-3299

WWW.CRLAURENCE.COM

Patent Pending

STYLE 17