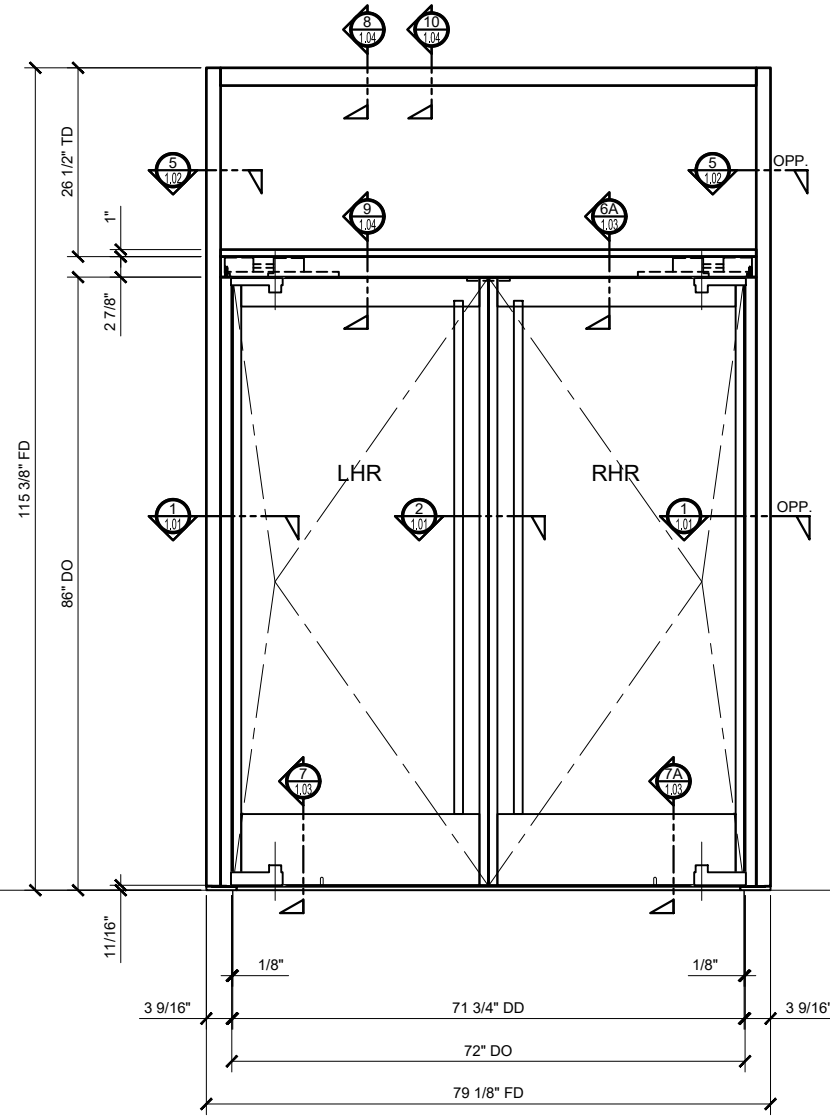
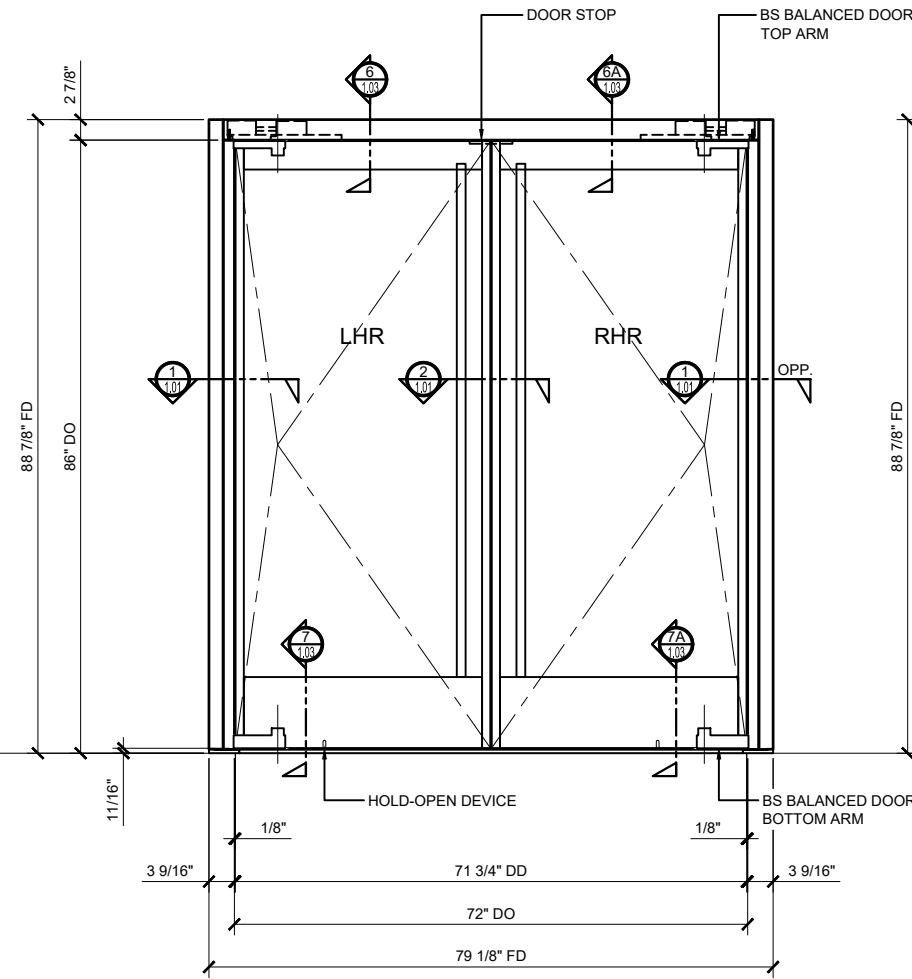


CRL BALANCER SERIES BALANCED DOOR ALUMINUM ALL GLASS WITH MINI STILE CONCEALED SHAFT

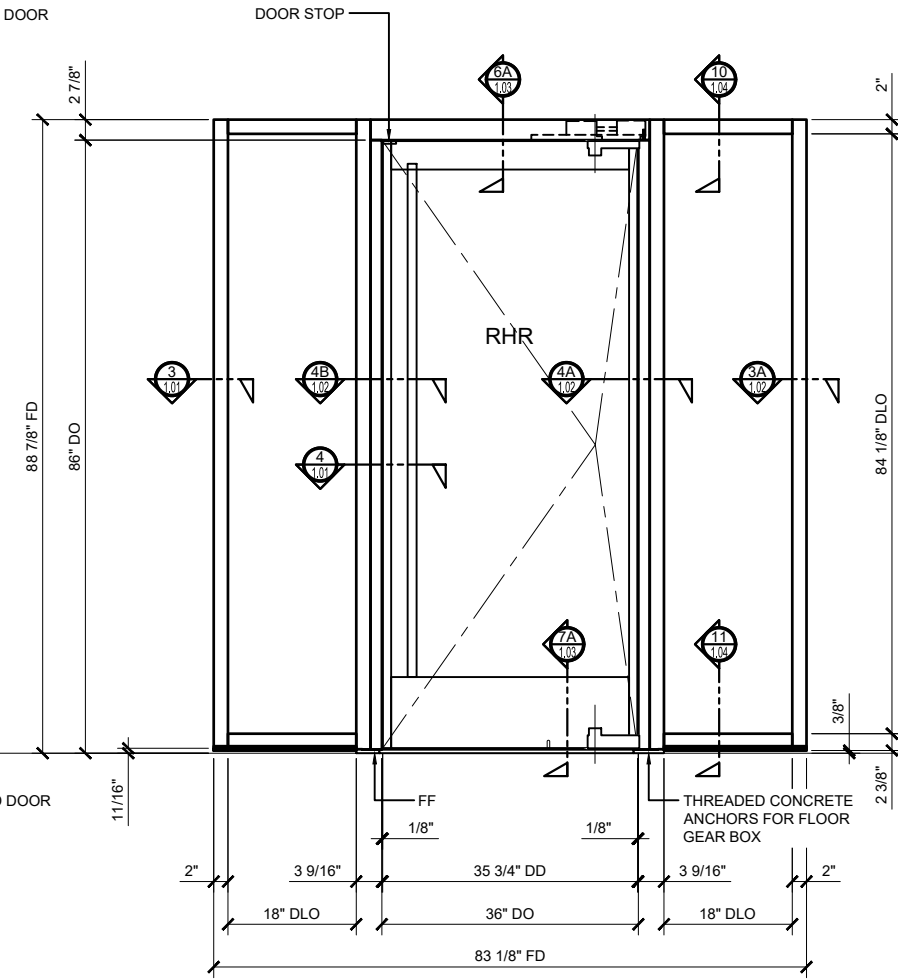
STRUCTURAL DISCLAIMER:
ALL CUSTOMERS WHO IN ANY WAY UTILIZE THIS PRODUCT ARE SOLELY RESPONSIBLE TO CONSULT A STRUCTURAL ENGINEER TO DETERMINE THE SUITABILITY OF THE PRODUCT FOR THE INTENDED USE AND SITE CONDITIONS. ALL INSTALLERS MUST BE QUALIFIED AND HAVE PROFESSIONAL KNOWLEDGE ABOUT COMPLIANCE WITH LOCAL, STATE AND FEDERAL REGULATIONS, SAFETY FACTORS, AND THE APPROPRIATE CHOICE OF FIXING MATERIAL AND PROCEDURES.



CRL BALANCER SERIES BALANCED DOOR
ALUMINUM ALL GLASS WITH MINI STILE & CONCEALED SHAFT
PAIR DOORS WITH TRANSOM ELEVATION

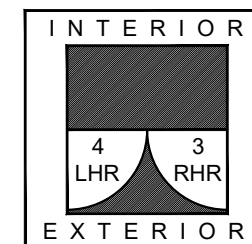


CRL BALANCER SERIES BALANCED DOOR
ALUMINUM ALL GLASS WITH MINI STILE & CONCEALED SHAFT
PAIR DOORS ELEVATION



CRL BALANCER SERIES BALANCED DOOR
ALUMINUM ALL GLASS WITH MINI STILE & CONCEALED SHAFT
SINGLE DOOR WITH SIDELITE ELEVATION

DOOR SWING CHART



STANDARD ABBREVIATIONS

- RO ROUGH OPENING
- FD FRAME DIMENSION
- DLO DAYLIGHT OPENING
- DO DOOR OPENING
- DD DOOR DIMENSION
- TD TRANSOM DIMENSION
- FF FLOOR FIDING

Revisions By:

CRL.

2631 E. Venice Avenue, Los Angeles, CA 90058-1897
PH: (800)-421-9144 FX: 800-597-7501 www.crlusa.com

Description:
CRL PREMIUM SERIES
BALANCED DOOR
ALUMINUM ALL GLASS
WITH MINI STILE

Drawn By: TGM
Date: 11/15/18
Scale: AS NOTED
File Name: PS BD - ALUM ALL GLASS W/MINI STILE.dwg
Sheet

Revisions By:

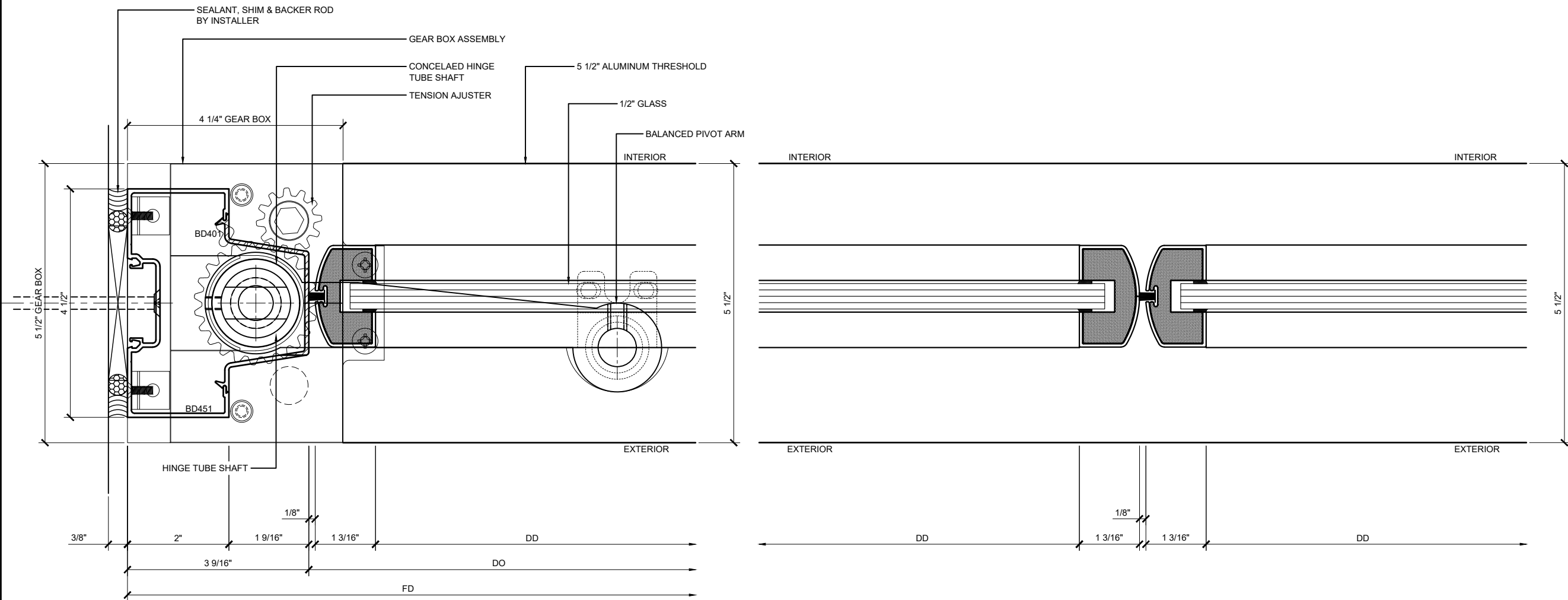
CRL

2632 E. Warner Avenue, Los Angeles, CA 90058-1897
PH: (800)-421-9144 FX: 800-597-7501 www.crlusa.com

Description:
CRL PREMIUM SERIES
BALANCED DOOR
ALUMINUM ALL GLASS
WITH MINI STILE

Drawn By: TGM
Date: 11/15/18
Scale: AS NOTED
File Name:
PS BD - ALUM ALL GLASS W/MINI STILE.dwg
Sheet

1.01

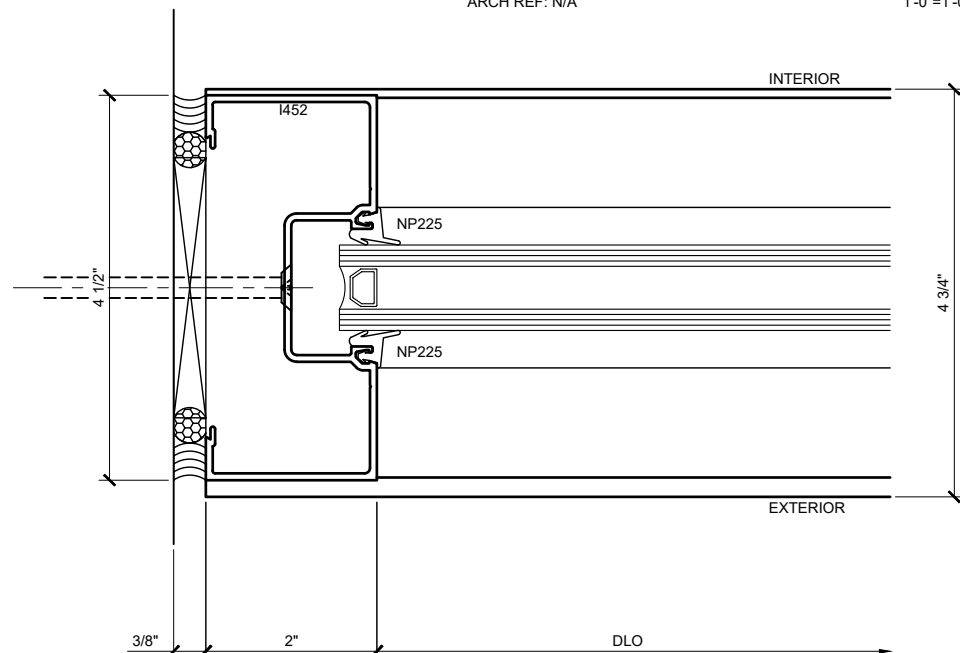


① DOOR PIVOT JAMB DETAIL

ARCH REF: N/A 1'-0"=1'-0"

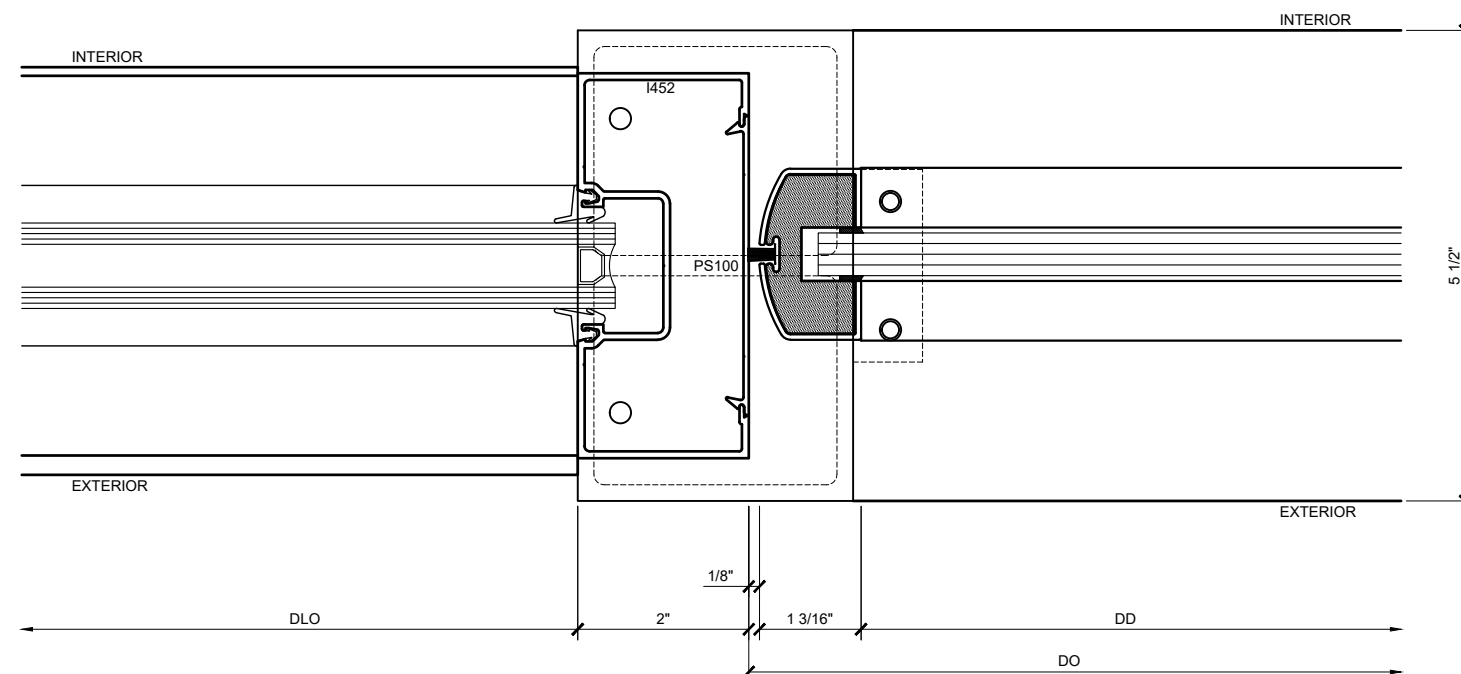
② MEETING STILES DETAIL

ARCH REF: N/A 1'-0"=1'-0"



③ JAMB DETAIL AT SIDELITE

ARCH REF: N/A 1'-0"=1'-0"



④ DOOR STRIKE JAMB AT SIDELITE DETAIL

ARCH REF: N/A 1'-0"=1'-0"

BALANCER SERIES ALUMINUM ALL GLASS W/ MINI STILE BALANCED DOORS DETAILS / 4-1/2" JAMB / CONCEALED SHAFT

Revisions By:

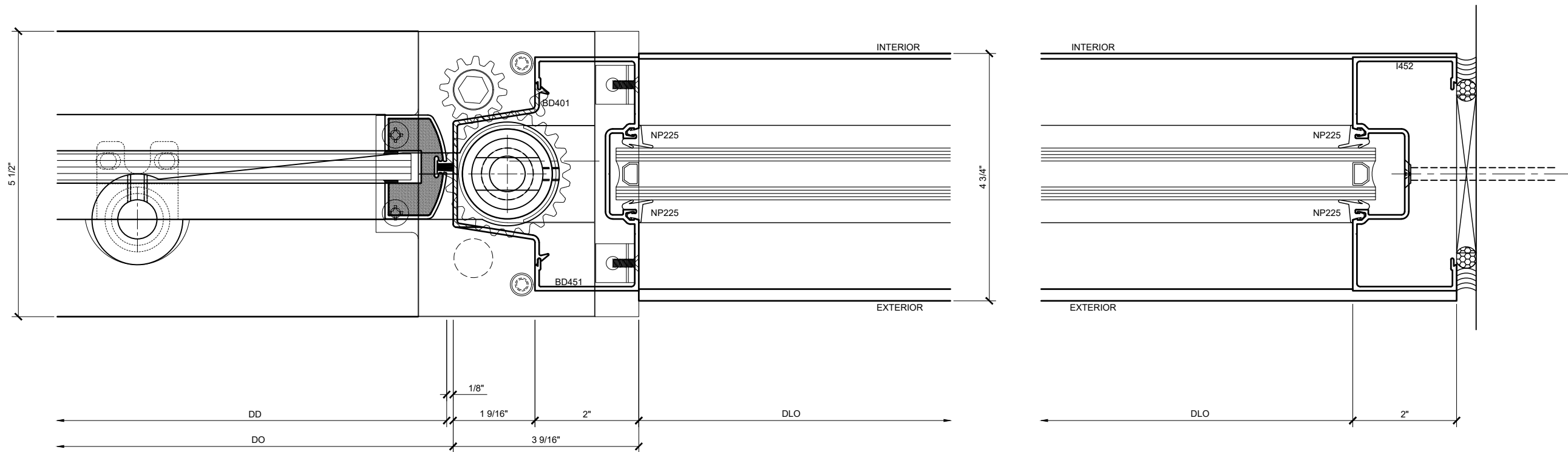
CRL

2632 E. Warner Avenue, Los Angeles, CA 90058-1897
PH: (800)-421-9144 FX: 800-597-7501 www.crlusa.com

Description:
CRL PREMIUM SERIES
BALANCED DOOR
ALUMINUM ALL GLASS
WITH MINI STILE

Drawn By: TGM
Date: 11/15/18
Scale: AS NOTED
File Name:
PS BD - ALUM ALL GLASS W/MINI STILE.dwg
Sheet

1.02



4A DOOR PIVOT JAMB SIDELITE DETAIL

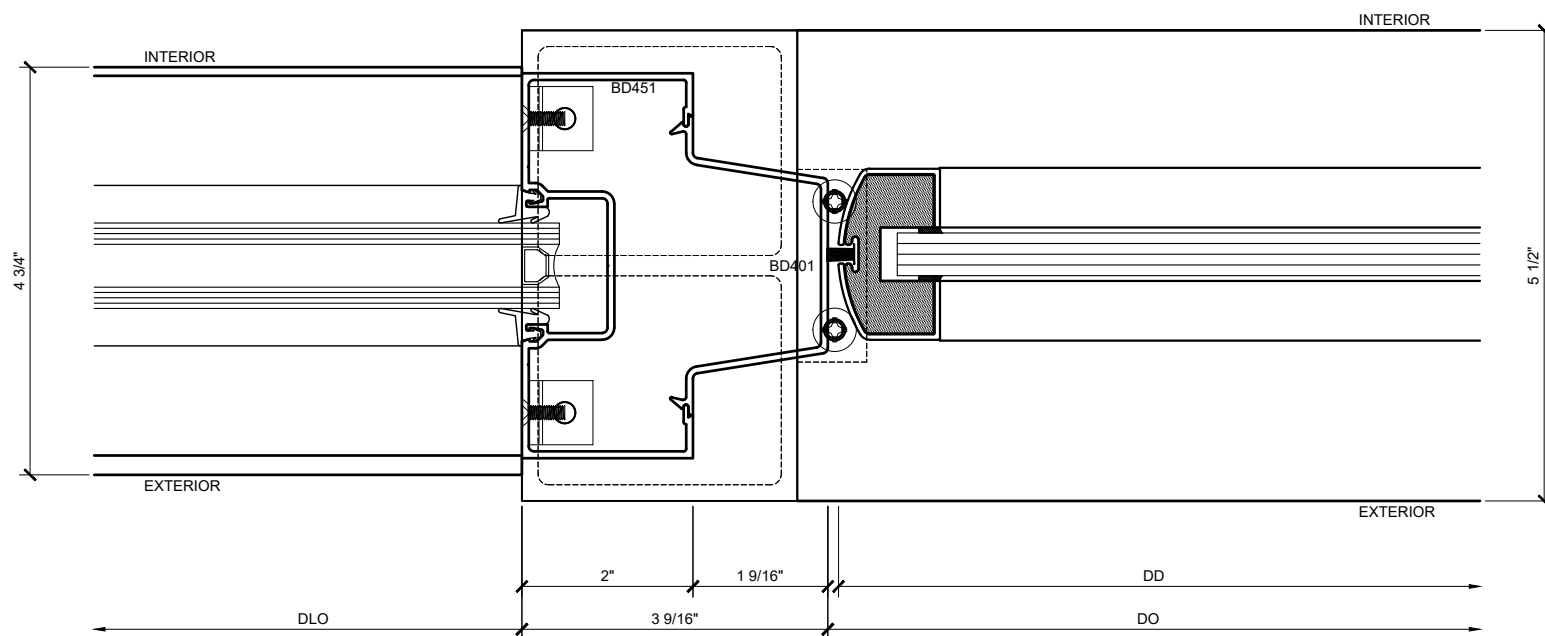
ARCH REF: N/A

1'-0"=1'-0"

3A JAMB DETAIL

ARCH REF: N/A

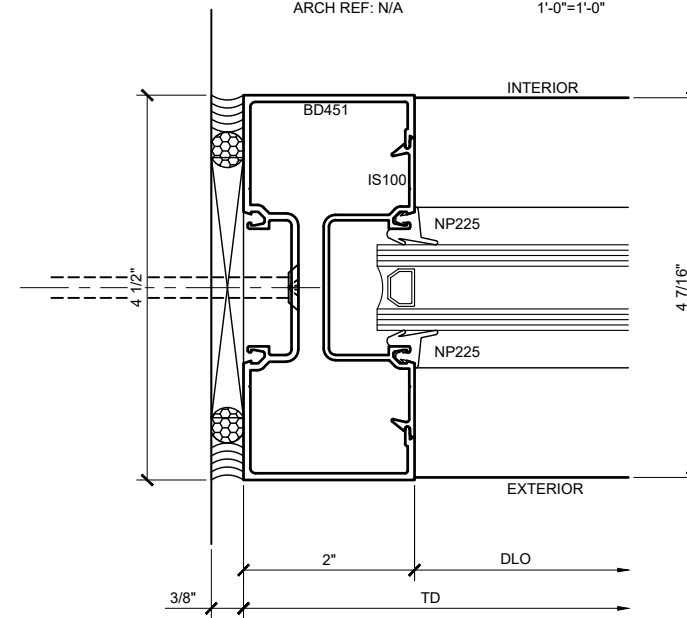
1'-0"=1'-0"



4B DOOR STRIKE JAMB AT SIDELITE DETAIL

ARCH REF: N/A

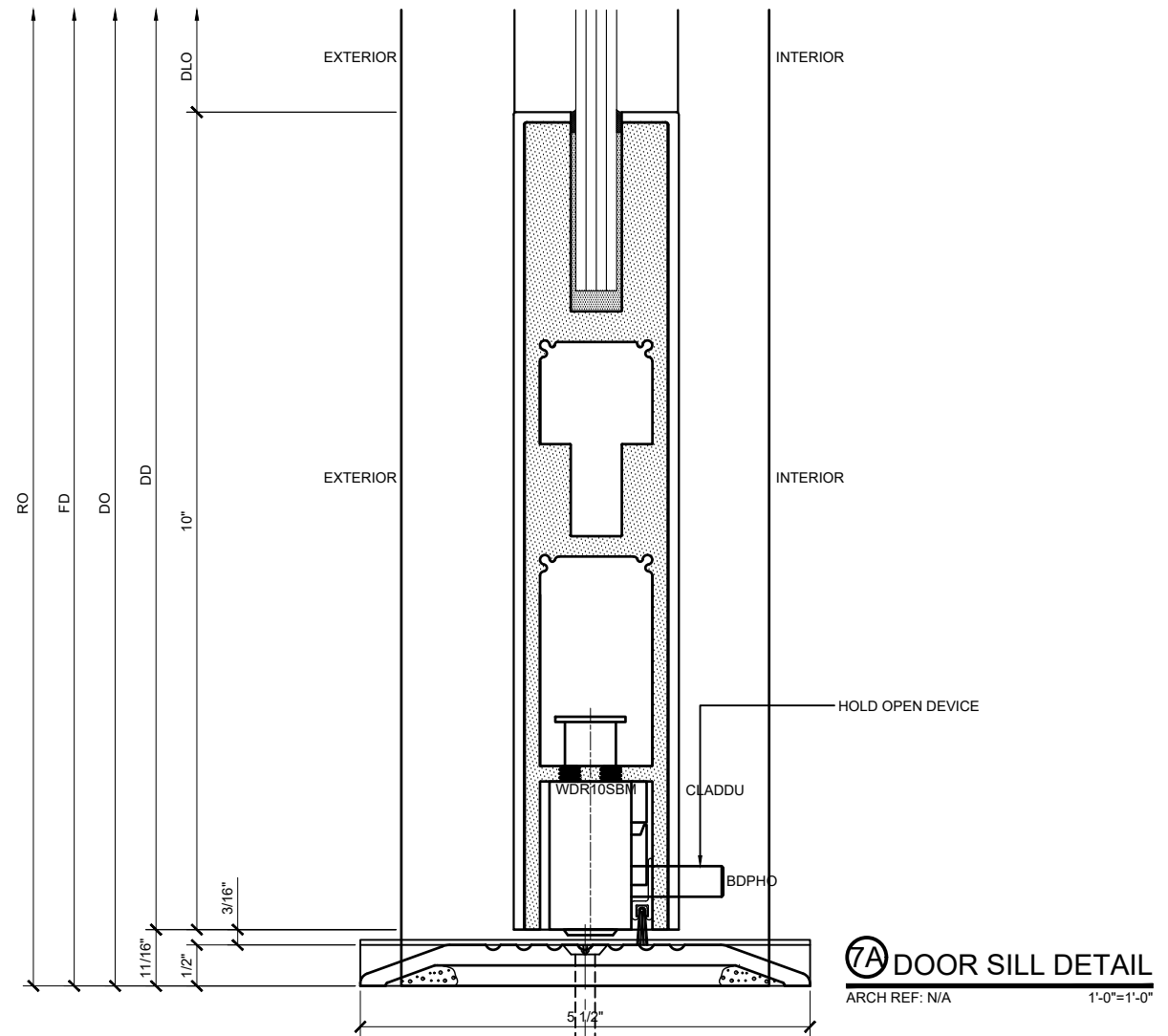
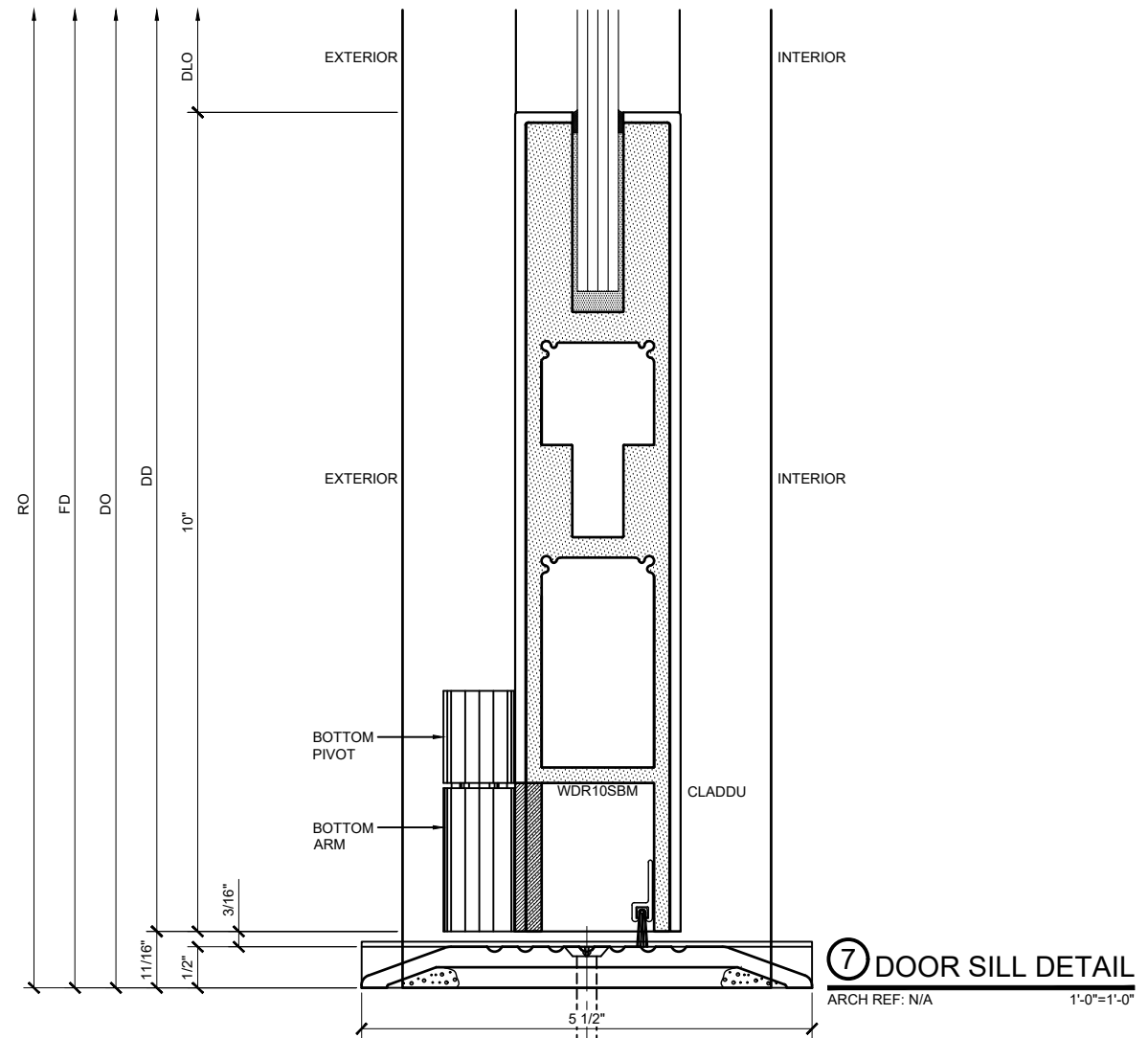
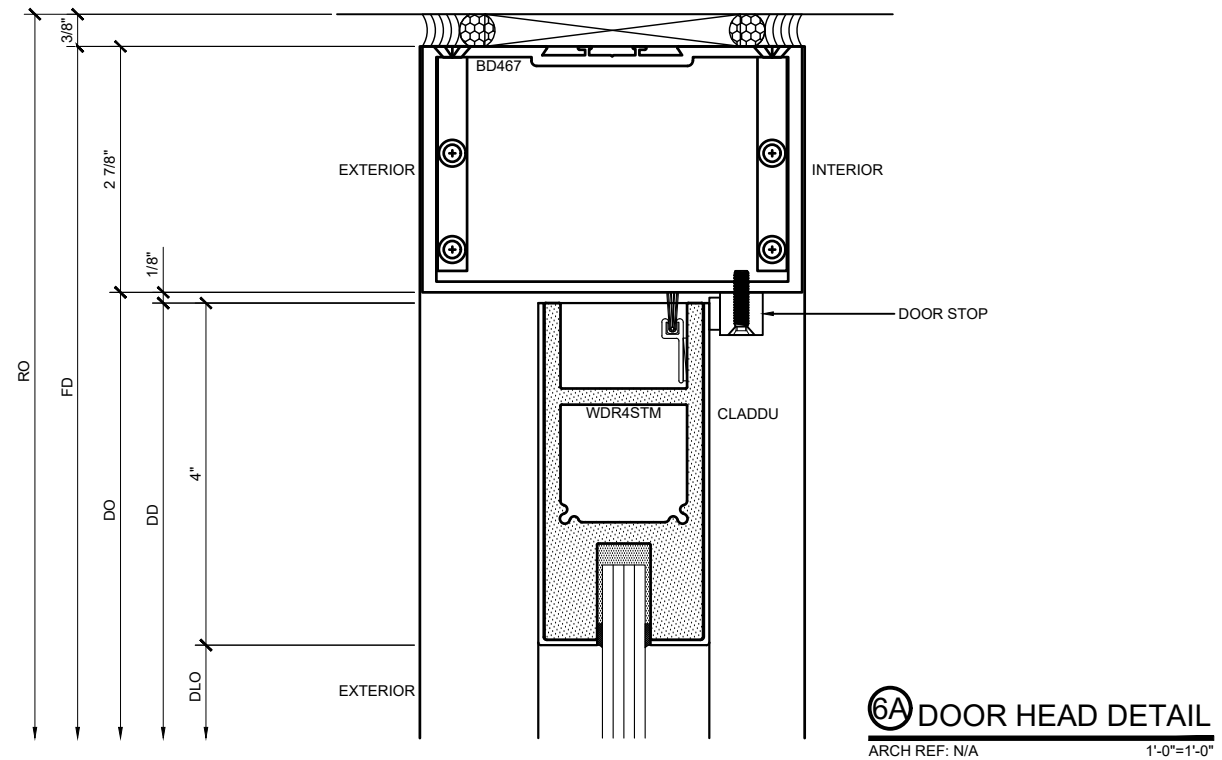
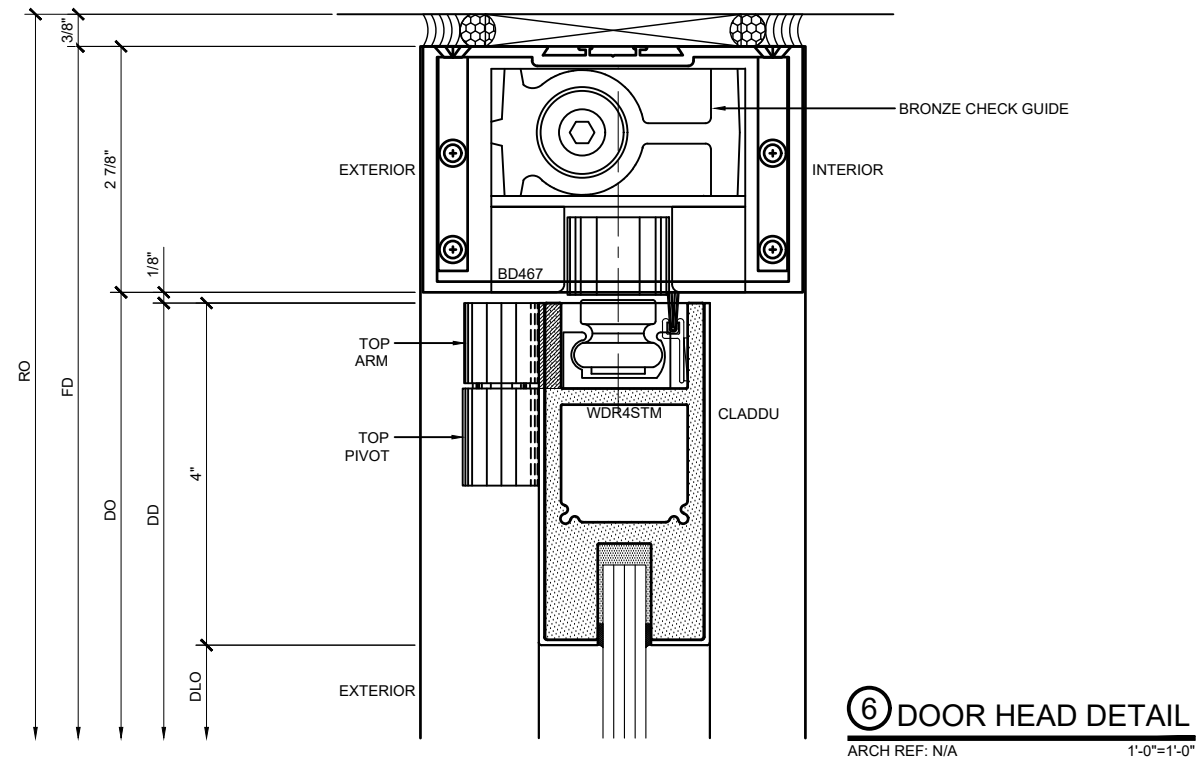
1'-0"=1'-0"



5 TRANSOM DETAIL

ARCH REF: N/A

1'-0"=1'-0"



BALANCER SERIES ALUMINUM ALL GLASS W/ MINI STILE BALANCED DOORS DETAILS / 4-1/2" JAMB / CONCEALED SHAFT

Revisions By:

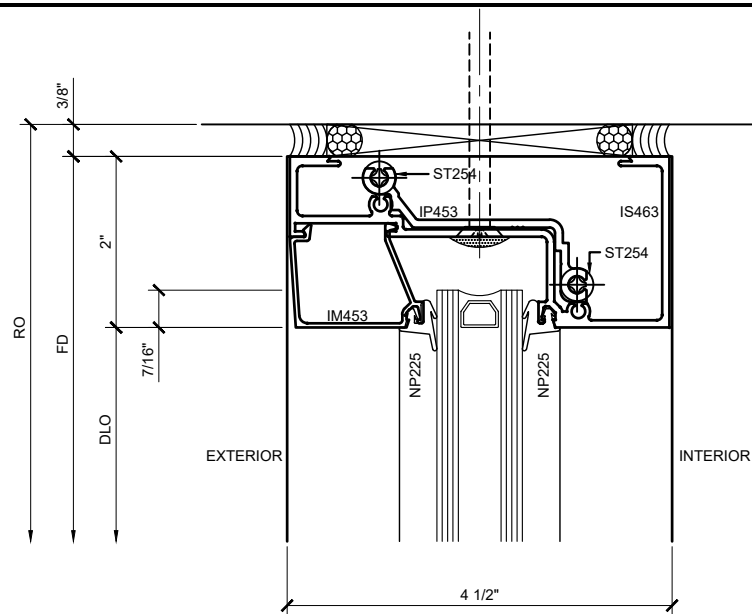
CRL.

2693 E. Venice Avenue, Los Angeles, CA 90058-1897
PH: (800)-421-6144 FX: 800-597-7501 www.crlusa.com

Description:
CRL PREMIUM SERIES
BALANCED DOOR
ALUMINUM ALL GLASS
WITH MINI STILE

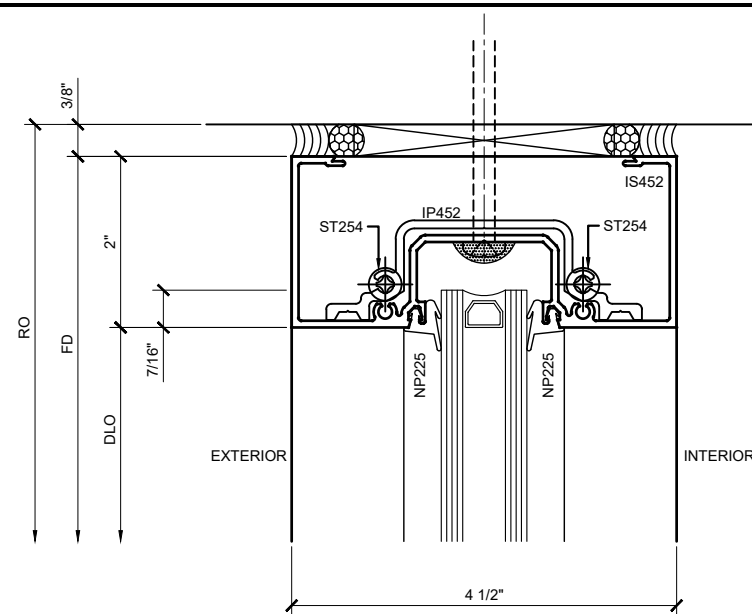
Drawn By: TGM
Date: 11/15/18
Scale: AS NOTED
File Name: PS BD - ALUM ALL GLASS W/MINI STILE.dwg
Sheet

1.03



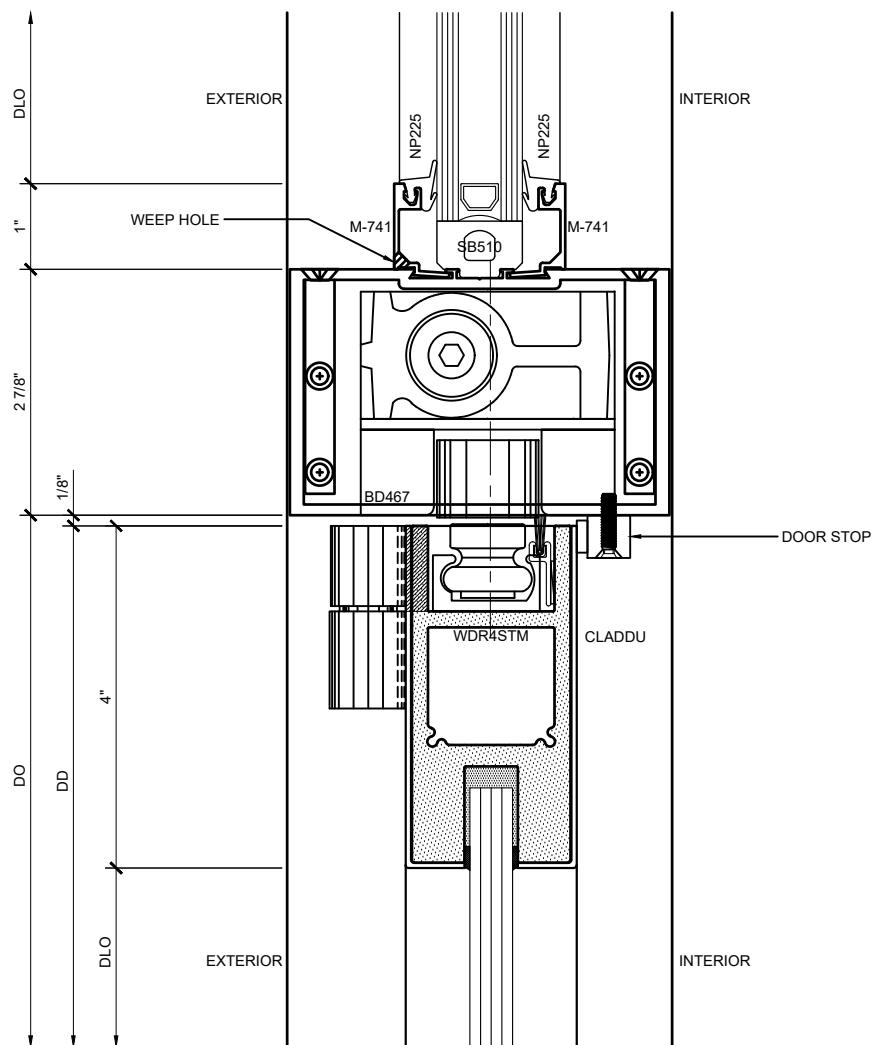
8 HEAD DETAIL

ARCH REF: N/A 1'-0"=1'-0"



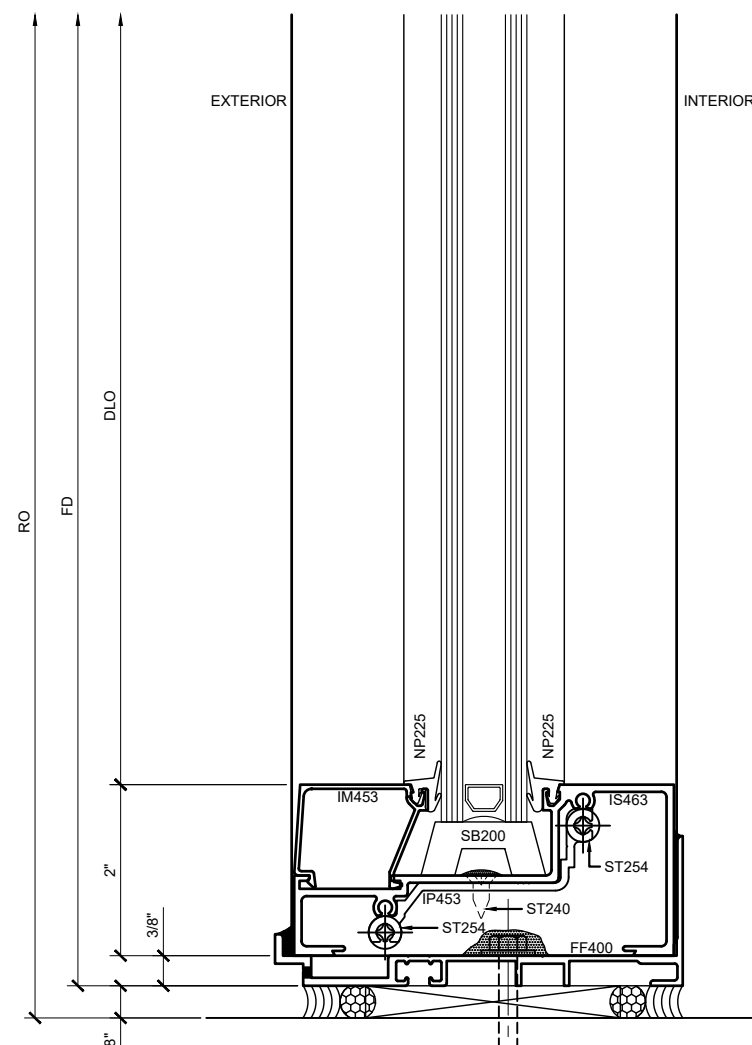
10 HEAD DETAIL

ARCH REF: N/A 1'-0"=1'-0"



9 DOOR HEAD DETAIL AT TRANSOM

ARCH REF: N/A 1'-0"=1'-0"



11 SILL DETAIL AT SIDELITE

ARCH REF: N/A 1'-0"=1'-0"

Revisions By:

CRL

2693 E. Venice Avenue, Los Angeles, CA 90058-1897
PH: (800)-421-9144 FX: 800-597-7501 www.crlusa.com

Description:

CRL PREMIUM SERIES
BALANCED DOOR
ALUMINUM ALL GLASS
WITH MINI STILE

Drawn By: TGM

Date: 11/15/18

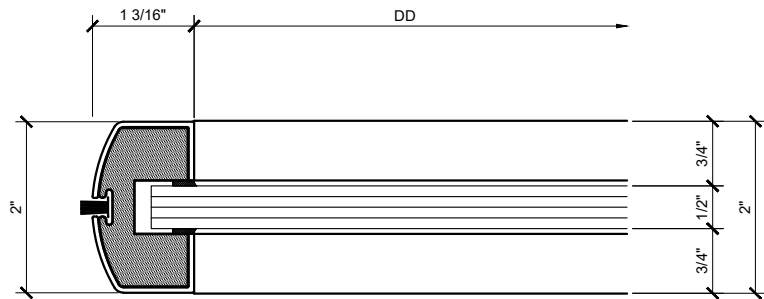
Scale: AS NOTED

File Name:

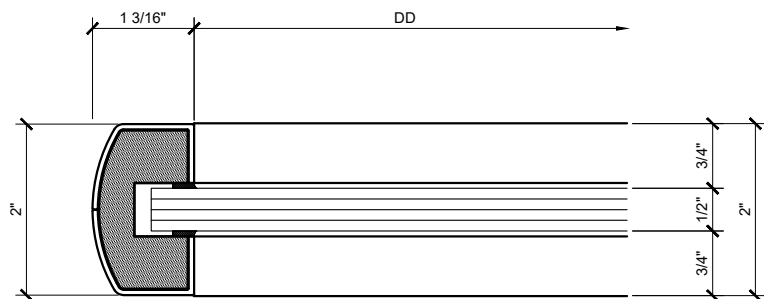
PS BD - ALUM ALL GLASS W/MINI STILE.dwg

Sheet

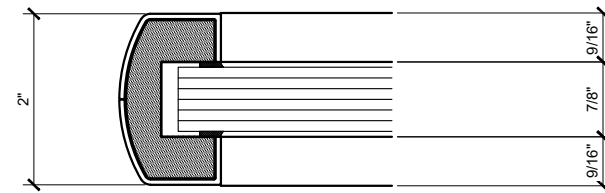
1.04



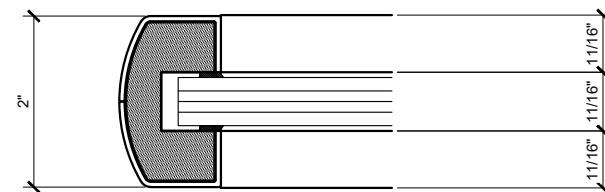
MINI STILE W/BRUSH (SHOWN WITH 1/2" GLASS)



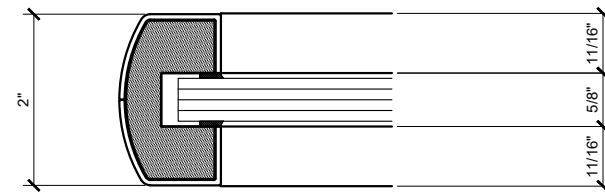
MINI STILE (SHOWN WITH 1/2" GLASS)



3/4" GLASS



9/16" GLASS



1/2" GLASS

GLASS SIZE OPTIONS

Revisions By:

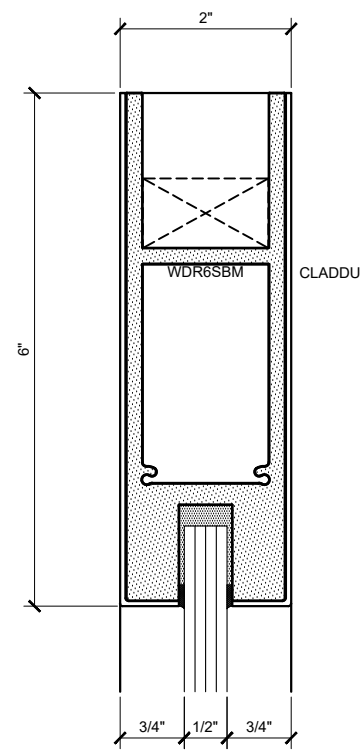
CRL.

2693 E. Venice Avenue, Los Angeles, CA 90058-1897
PH: (800)-421-9144 FX: 800-597-7501 www.crlusa.com

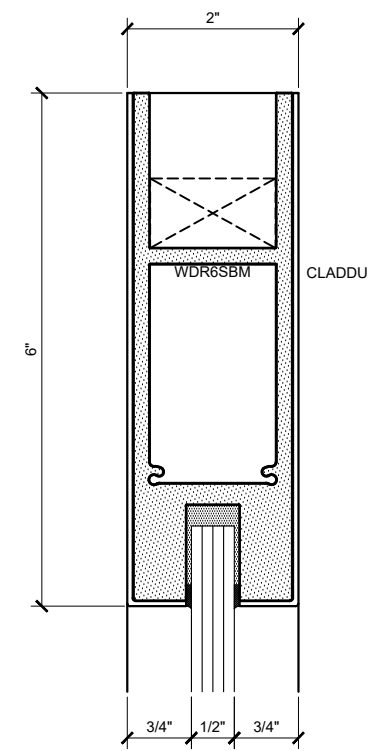
Description:
CRL PREMIUM SERIES
BALANCED DOOR
ALUMINUM ALL GLASS
WITH MINI STILE

Drawn By: TGM
Date: 11/15/18
Scale: AS NOTED
File Name:
PS BD - ALUM ALL GLASS W/MINI STILE.dwg
Sheet

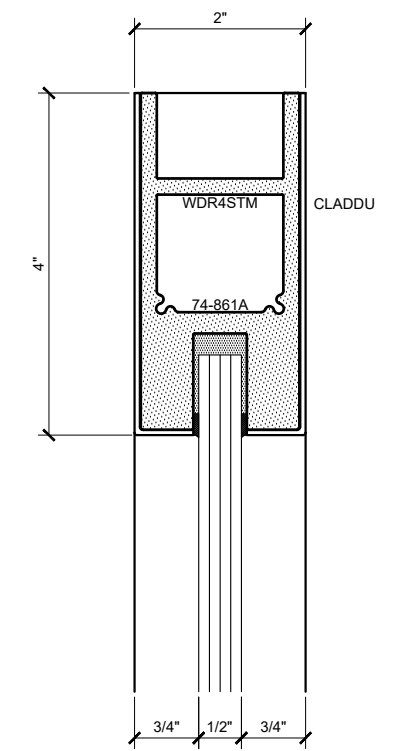
1.05



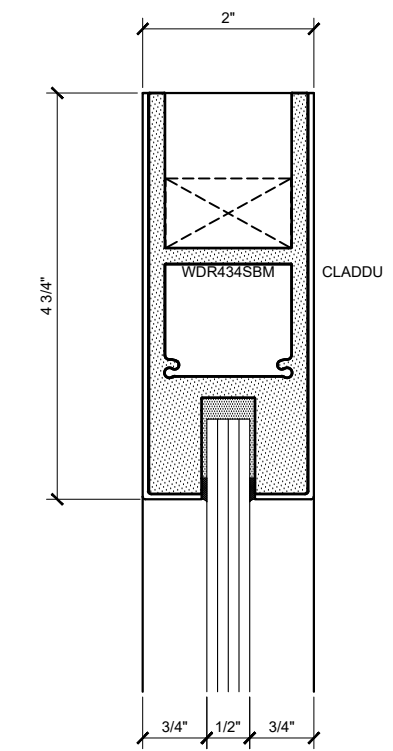
OPTION 1



OPTION 2



OPTION 3



OPTION 4

STANDARD RAILS - GLASS OPTIONS: 3/4", 9/16", 1/2", THICK GLASS (SHOWN WITH 1/2" THICK GLASS)

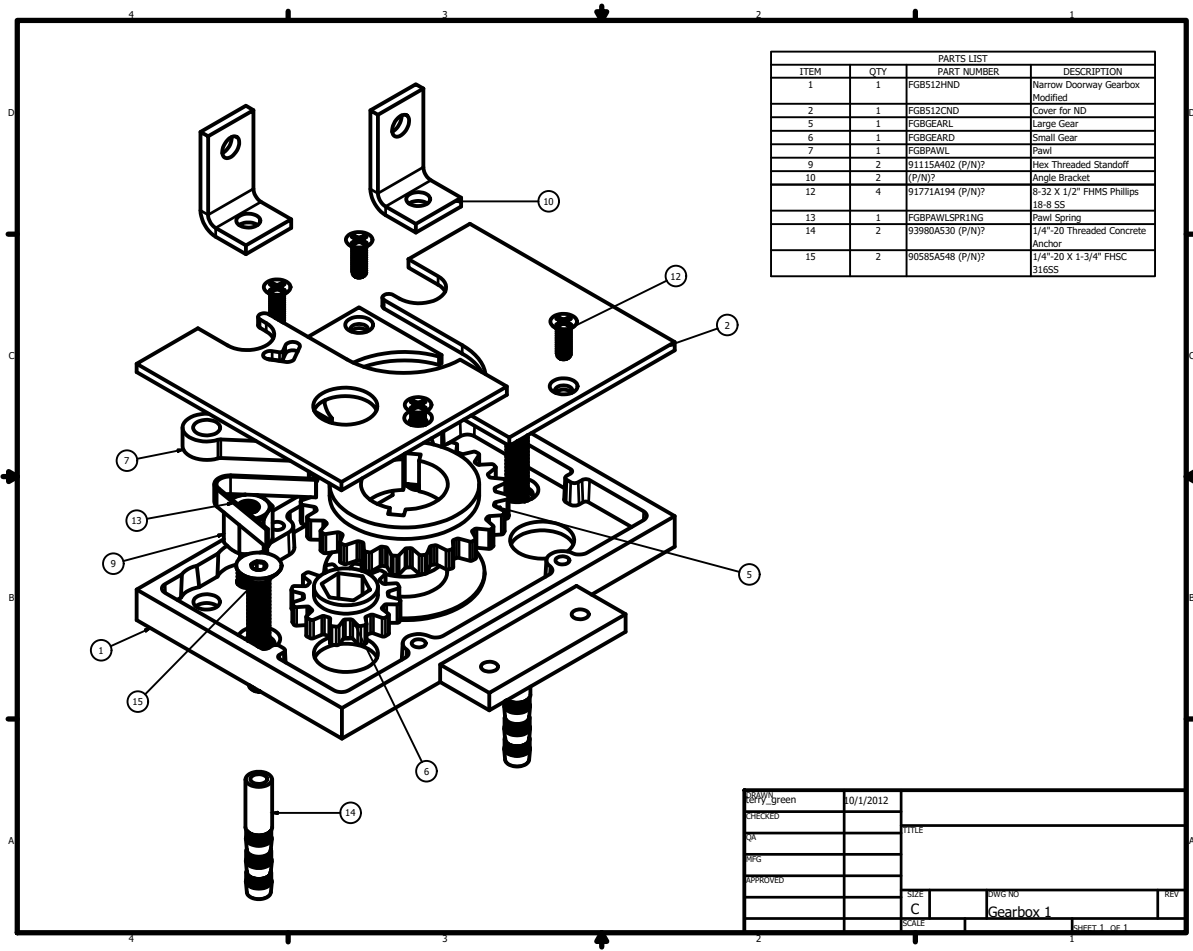
Revisions By:



2693 E. Venice Avenue, Los Angeles, CA 90058-1897
 PH: (800)-421-9144 FX: 800-591-7501 www.crlusa.com

Description:
 CRL PREMIUM SERIES
 BALANCED DOOR
 ALUMINUM ALL GLASS
 WITH MINI STILE

Drawn By: TGM
 Date: 11/15/18
 Scale: AS NOTED
 File Name:
 PS BD - ALUM ALL GLASS W/MINI STILE.dwg
 Sheet



| PARTS LIST | | | |
|------------|-----|------------------|-----------------------------------|
| ITEM | QTY | PART NUMBER | DESCRIPTION |
| 1 | 1 | FGBS12HND | Narrow Doorway Gearbox Modified |
| 2 | 1 | FGBS12CND | Cover for ND |
| 5 | 1 | FGBGEARL | Large Gear |
| 6 | 1 | FGBGGEARD | Small Gear |
| 7 | 1 | FGBPAWL | Pawl |
| 9 | 2 | 911154402 (P/N)? | Hex Threaded Standoff |
| 10 | 2 | (P/N)? | Angle Bracket |
| 12 | 4 | 91771A194 (P/N)? | 8-32 X 1/2" FHMS Phillips 18-8 SS |
| 13 | 1 | FGBPAWLSPR11NG | Pawl Spring |
| 14 | 2 | 93980AS30 (P/N)? | 1/4"-20 Threaded Concrete Anchor |
| 15 | 2 | 90585AS48 (P/N)? | 1/4"-20 X 1-3/4" FHSC 316SS |

| | | | |
|-------------|-------|-------|-----------|
| DESIGNED BY | Green | DATE | 10/1/2012 |
| CHECKED BY | | TITLE | |
| SCALE | | DATE | |
| APPROVED BY | | SCALE | C |
| | | DATE | |
| | | SCALE | |

Revisions By:



2693 E. Warner Avenue, Los Angeles, CA 90058-1897
 PH: (800)-421-9144 FX: 800-597-7501 www.crlusa.com

Description:
 CRL PREMIUM SERIES
 BALANCED DOOR
 ALUMINUM ALL GLASS
 WITH MINI STILE

Drawn By: TGM
 Date: 11/15/18
 Scale: AS NOTED
 File Name: PS BD - ALUM ALL GLASS W/MINI STILE.dwg

Sheet
 2.01