

FRONT VIEW

REAR VIEW

## GLASS CLAMPS

90° Glass Clamp (Wall-to-Glass Application)

CAT. NO. GCB90

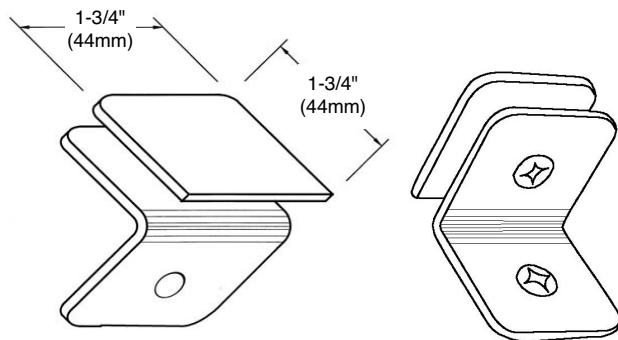
### Specifications:

Material:	Solid brass
Glass Thickness Range:	5/16" (8mm) to 1/2" (12mm)
Hole Size Required:	5/8" (16mm) or 3/4" (19mm)
Includes:	Mounting screws and gaskets
Note:	Additional set of gaskets is required for 5/16" (8mm)

Template Shown on Next Page

### Note:

The Clamps shown on this page can also be used in a glass-to-glass application. For information on this see pages 4T-5 and 4T-6.



FRONT VIEW

REAR VIEW

## GLASS CLAMPS

Junior 90° Glass Clamp (Wall-to-Glass Application)

CAT. NO. GCB690

### Specifications:

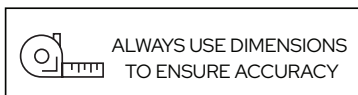
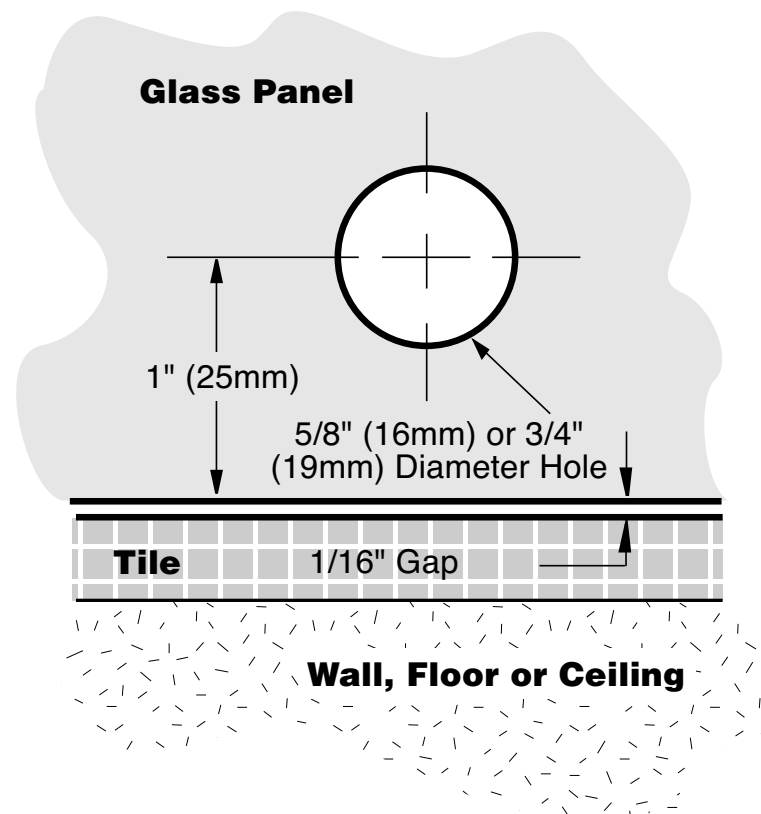
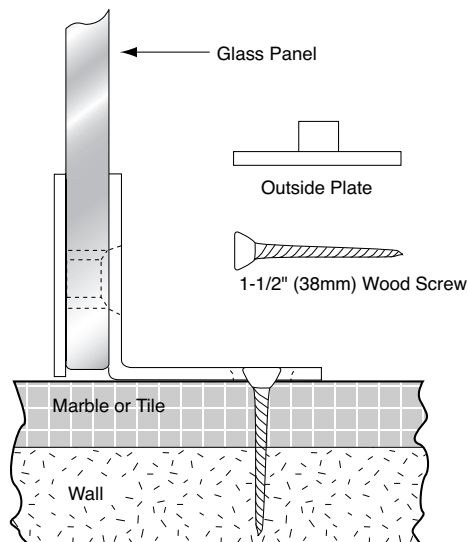
Material:	Solid brass
Glass Thickness:	1/4" (6mm)
Hole Size Required:	5/8" (16mm) or 3/4" (19mm)
Includes:	Mounting screws and gaskets

Template Shown on Next Page

**\*NOTE:** Do not exceed either maximum weight or width when choosing proper quantity of hinges.

## TYPICAL INSTALLATION

To use for glass-to-wall, remove one of the outer plates, and attach to the wall with enclosed wood screw.



## GLASS CLAMPS

### THE TEMPLATE ON THIS PAGE APPLIES TO THE FOLLOWING CLAMPS:

90° Glass Clamp (Wall-to-Glass Application) | Junior 90° Glass Clamp (Wall-to-Glass Application)

CAT. NO. GCB90 | CAT. NO. GCB690

**Note:** The Clamps shown on this page can also be used in a glass-to-glass application. For information on this see pages 4T-5 and 4T-6.