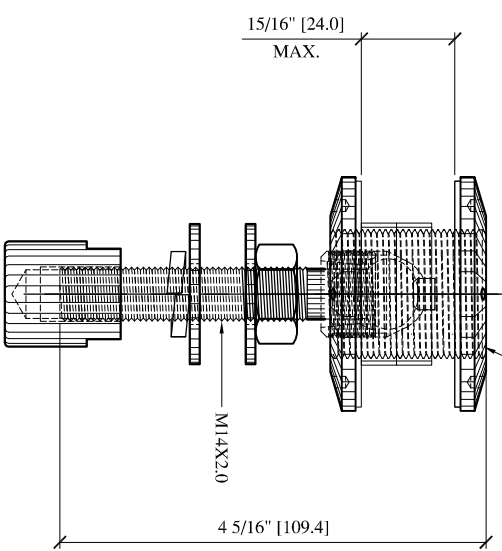
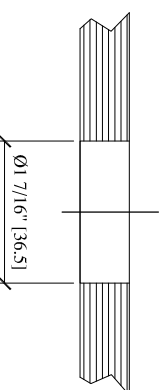


CRL HSFEX14BS/CRL HSFEX14PS
BRUSHED /POLISHED
STAINLESS STEEL
SWIVEL HEAD COMBINATION
GLASS ATTACHMENT



1 HSFEX14BS
Scale: 1:1



4 CAP MOUNT GLASS FABRICATION
Scale: 1:1

CRL SWIVEL HEAD COMBINATION
GLASS ATTACHMENT

CATALOG NUMBER	FINISH
HSFEX14BS	BRUSHED STAINLESS
HSFEX14PS	POLISHED STAINLESS

CUSTOMER SIGNATURE: X _____

DATE: _____



CRL
C.R. LAURENCE CO.
ARCHITECTURAL PRODUCTS

2503 E. Vernon Avenue, Los Angeles, CA 90058
Phone: 800-421-6144 Fax: 800-262-3299
www.crlaurence.com

Part No:

No. HSFEX14BS

Phone: -
Fax: -

DATE: 11-02-2010

DRAWN BY: J.R.M.

CHECKED BY:

SCALE: 1:1

JOB #: HSFEX14

SHT 1