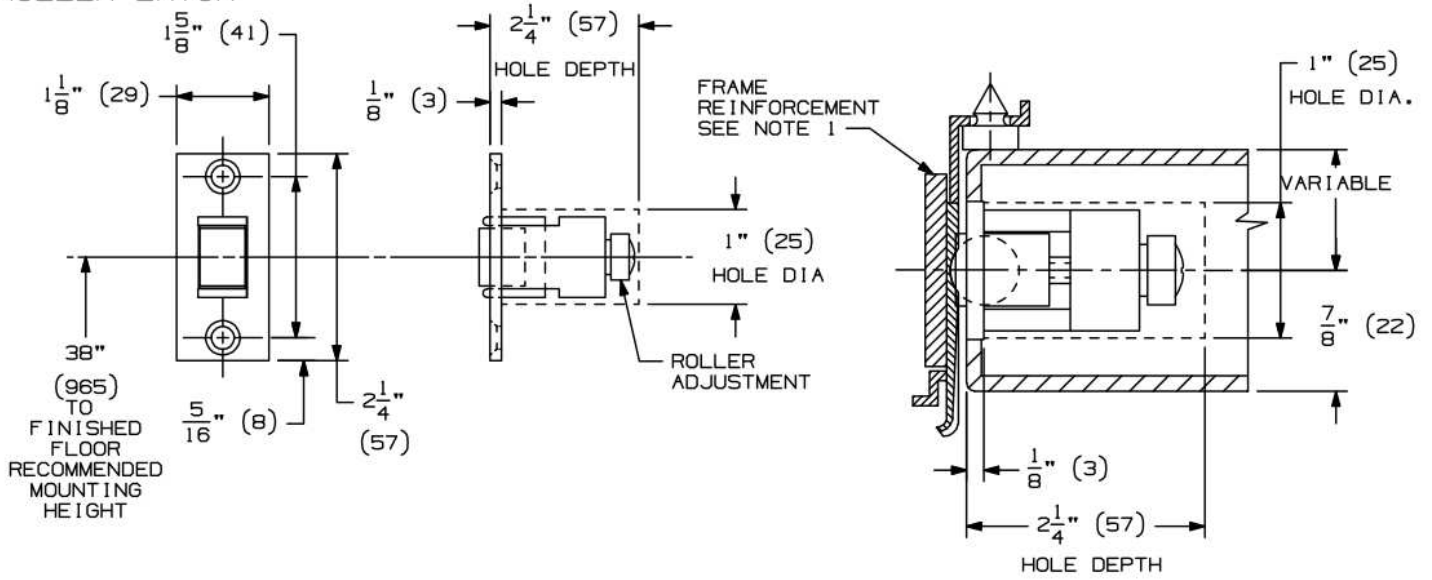
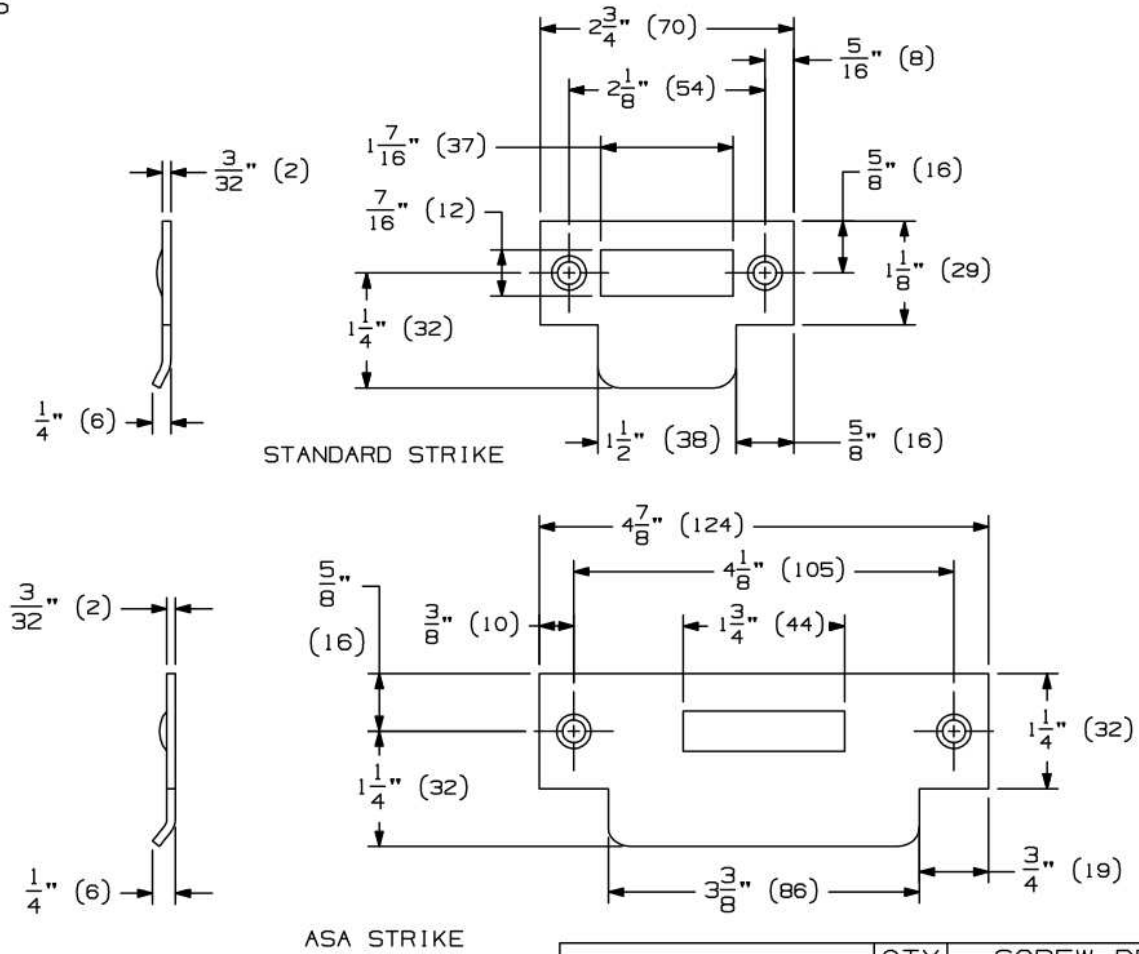


ROLLER LATCH



STRIKES



NOTES:

- HOLLOW METAL DOORS & FRAMES SHOULD BE PROPERLY REINFORCED WITH A $\frac{3}{16}$ " (5) MINIMUM THICKNESS PLATE.

	QTY	SCREW DETAIL
LATCH	2	8 X 1" FPHSMS
STANDARD STRIKE	2	8 X 1" FPHSMS
ASA STRIKE	2	12-24 X 1" FPHMS