

GLASS CLAMPS

Glass-to-Glass Mount Movable Transom Clamp

CAT. NO. SGC188

***NOTE:** Do not exceed either maximum weight or width when choosing proper quantity of hinges.

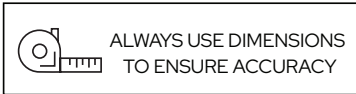
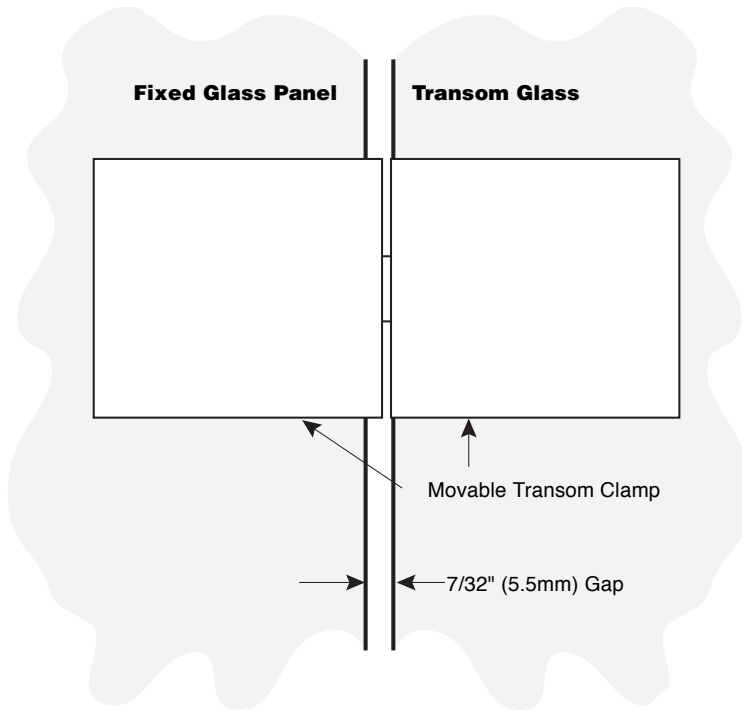
Specifications:

Material:	Solid brass
Glass Thickness Range:	3/8" (10mm) to 1/2" (12mm)
Template Required:	5/8" (16mm) or 3/4" (19mm) hole for fixed panel, notch for transom
Includes:	Mounting screws and gaskets

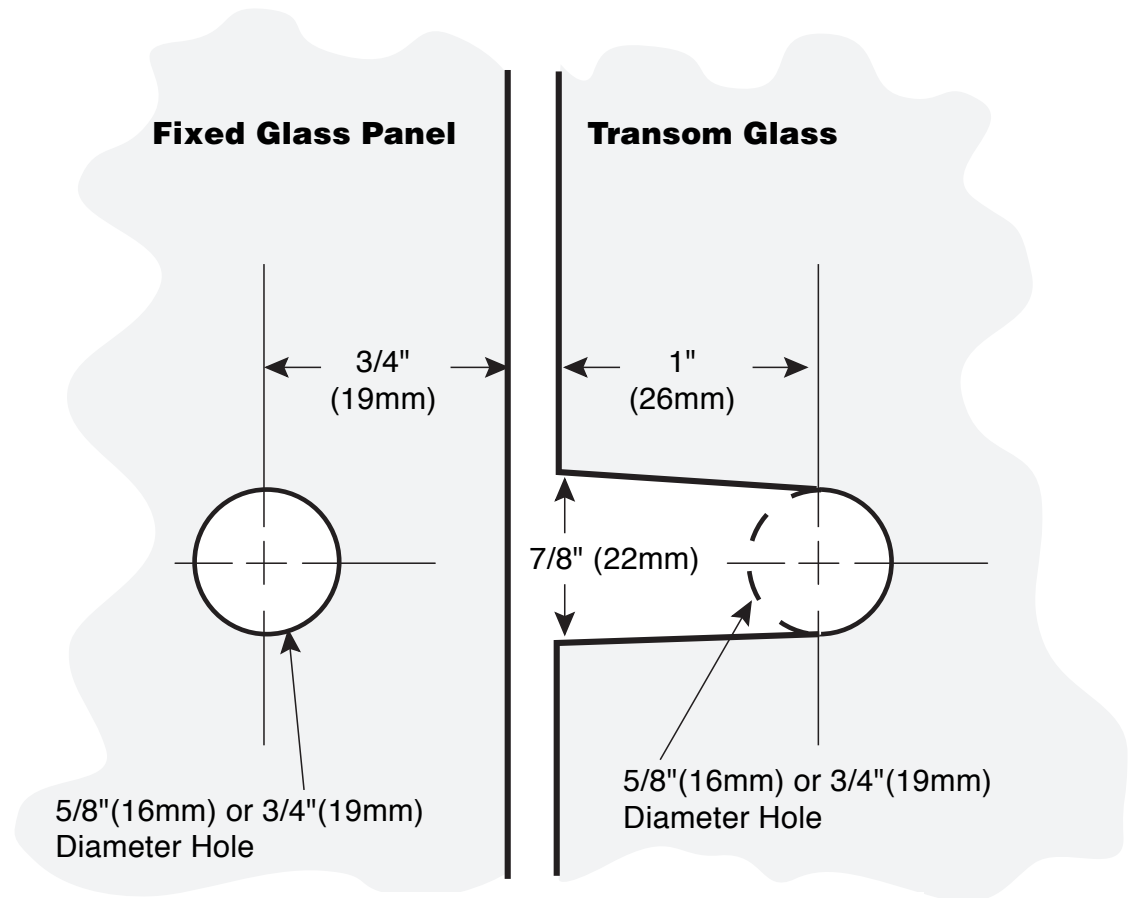
Template Shown on Next Page

IMPORTANT: Project measurements from the edge of glass.

TYPICAL INSTALLATION



TEMPLATE FOR FIXED GLASS PANEL TO MOVABLE TRANSOM GLASS



GLASS CLAMPS

Glass-to-Glass Mount Movable Transom Clamp

CAT. NO. SGC188