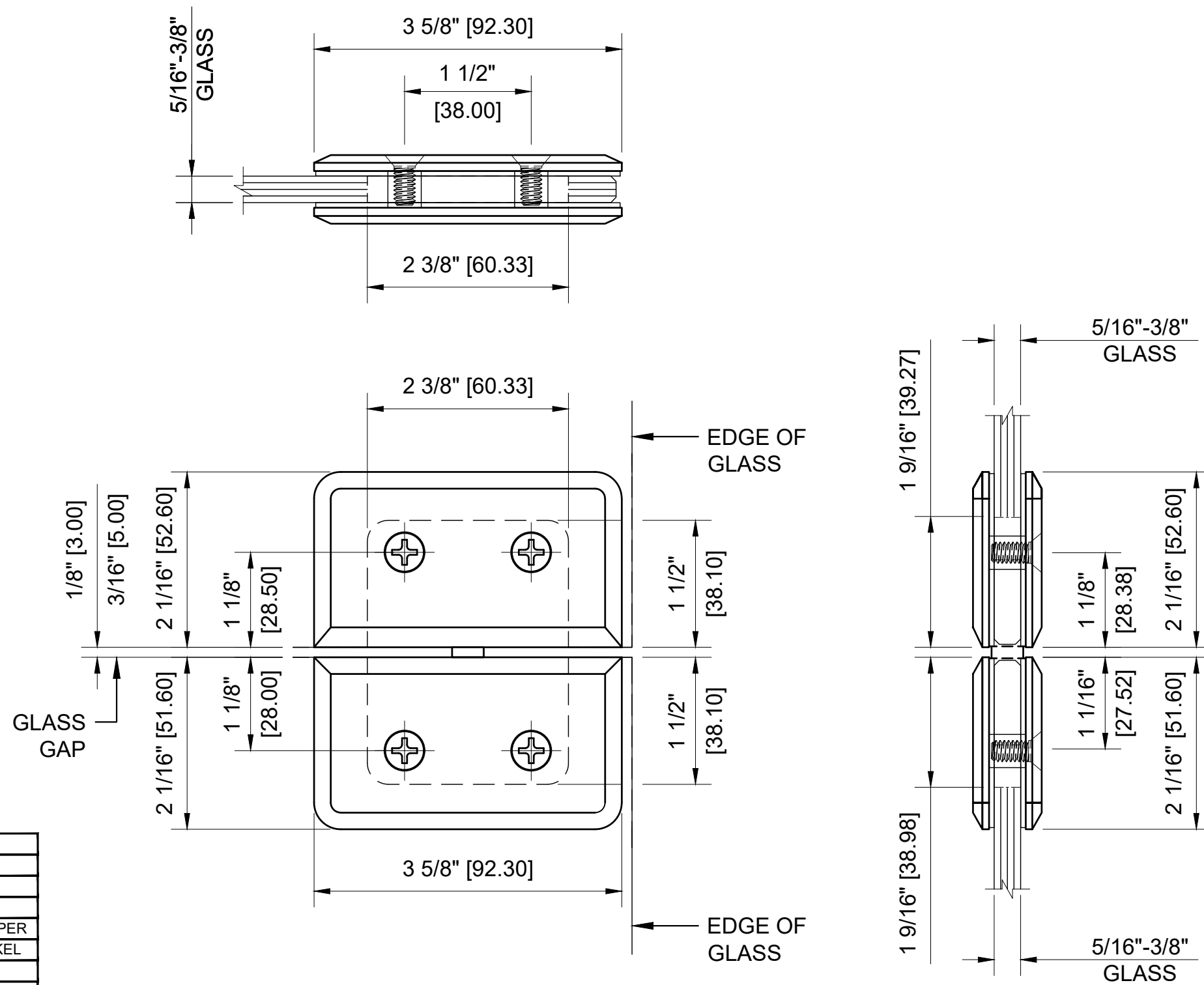


USE OF GASKETS

FOR 5/16" (8mm) GLASS: USE ONE THICK GASKET AND ONE THIN GASKET ON EACH SIDE
 FOR 3/8" (10mm) GLASS: USE ONE THICK GASKET ON EACH SIDE



CATALOG NUMBER	FINISH
PPH02CH	POLISHED CHROME
PPH02BR	POLISHED BRASS
PPH020RB	OIL RUBBED BRONZE
PPH02ABC0	ANTIQUÉ BRUSHED COPPER
PPH02ABN	ANTIQUÉ BRUSHED NICKEL
PPH02ABR	ANTIQUÉ BRASS
PPH02BBRZ	BRUSHED BRONZE
PPH02BC0	BRUSHED COPPER
PPH02BL	BLACK
PPH02BN	BRUSHED NICKEL
PPH02BSC	BRUSHED SATIN CHROME
PPH02GP	GOLD PLATED
PPH02PN	POLISHED NICKEL
PPH02SB	SATIN BRASS
PPH02SC	SATIN CHROME

PPH02XX - CRL PRIMA SERIES GLASS TO GLASS MOUNT HINGE

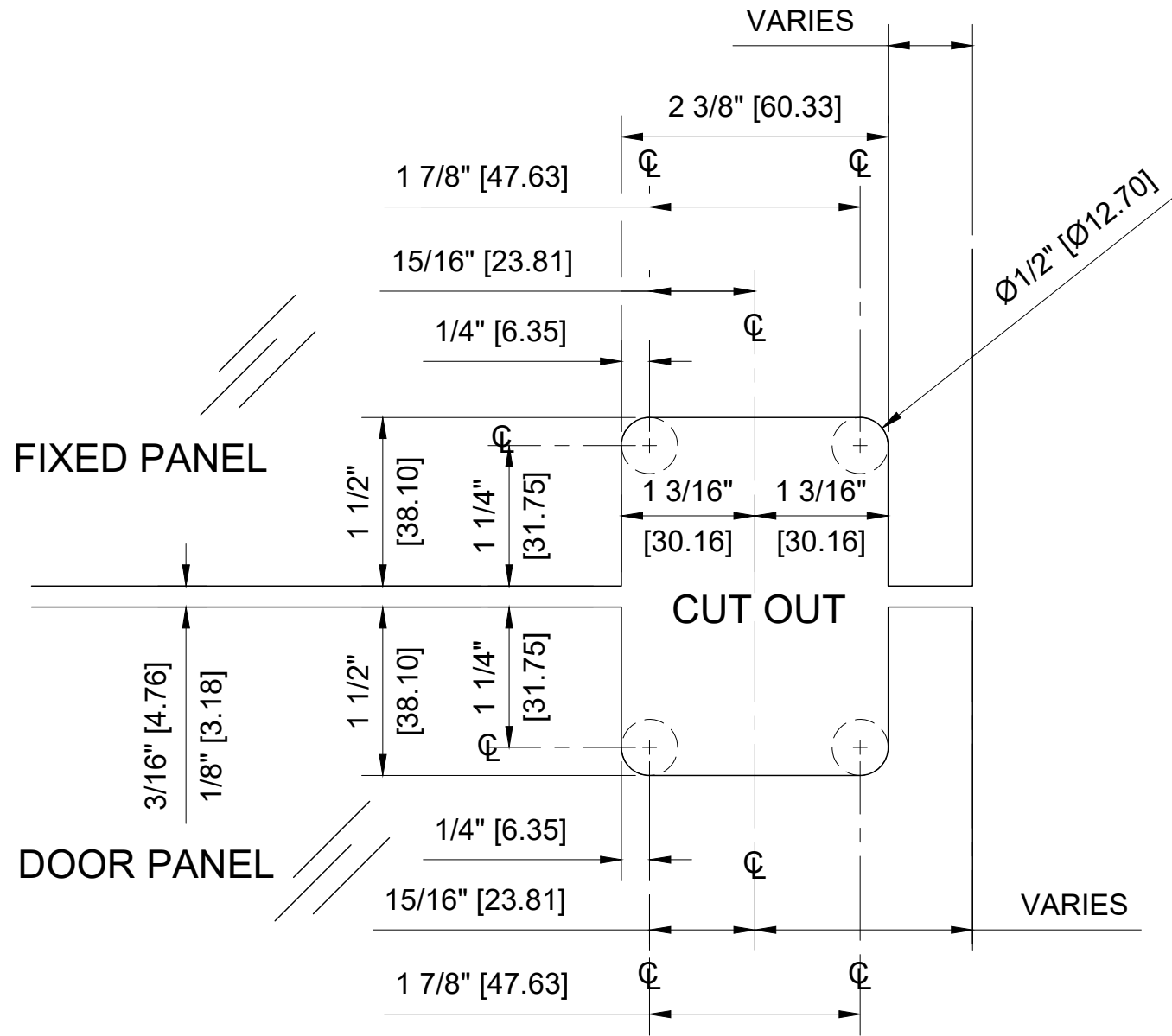
DATE: 10-28-2019
 SCALE: 6"=1'-0"
 DRAWN BY: VM

DESCRIPTION: CRL PRIMA SERIES HINGE
 CTS
 www.crlaurence.com

C.R. LAURENCE CO. ARCHITECTURAL PRODUCTS
 2503 E. Vernon Avenue, Los Angeles, CA 90058-1897
 PH (800)-421-6144 FX: 800-587-7501 www.crlaurence.com



USE OF GASKETS
 FOR 5/16" (8mm) GLASS: USE ONE THICK GASKET AND ONE THIN GASKET ON EACH SIDE
 FOR 3/8" (10mm) GLASS: USE ONE THICK GASKET ON EACH SIDE



INSET MOUNT METHOD
 1/8" (3mm) TO 3/16" (5mm) CLEARANCE
 GLASS FABRICATION TEMPLATE

CATALOG NUMBER	FINISH
PPH02CH	POLISHED CHROME
PPH02BR	POLISHED BRASS
PPH020RB	OIL RUBBED BRONZE
PPH02ABC0	ANTIQUÉ BRUSHED COPPER
PPH02ABN	ANTIQUÉ BRUSHED NICKEL
PPH02ABR	ANTIQUÉ BRASS
PPH02BBRZ	BRUSHED BRONZE
PPH02BC0	BRUSHED COPPER
PPH02BL	BLACK
PPH02BN	BRUSHED NICKEL
PPH02BSC	BRUSHED SATIN CHROME
PPH02GP	GOLD PLATED
PPH02PN	POLISHED NICKEL
PPH02SB	SATIN BRASS
PPH02SC	SATIN CHROME

PPH02XX - CRL PRIMA SERIES GLASS TO GLASS MOUNT HINGE

DATE: 10-28-2019
 SCALE: 6"=1'-0"
 DRAWN BY: VM

DESCRIPTION: CRL PRIMA SERIES HINGE
 CTS
 www.crlaurence.com PPH02 - GLASS TO GLASS MOUNT HINGES

C.R. LAURENCE CO. ARCHITECTURAL PRODUCTS
 2503 E. Vernon Avenue, Los Angeles, CA 90058-1897
 PH (800)-421-6144 FX: 800-587-7501 www.crlaurence.com

