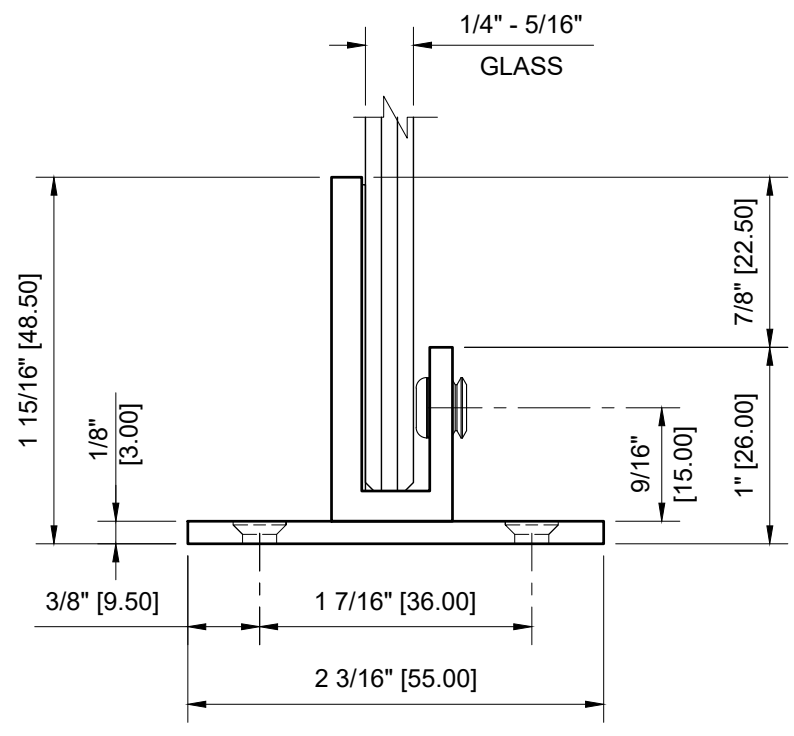
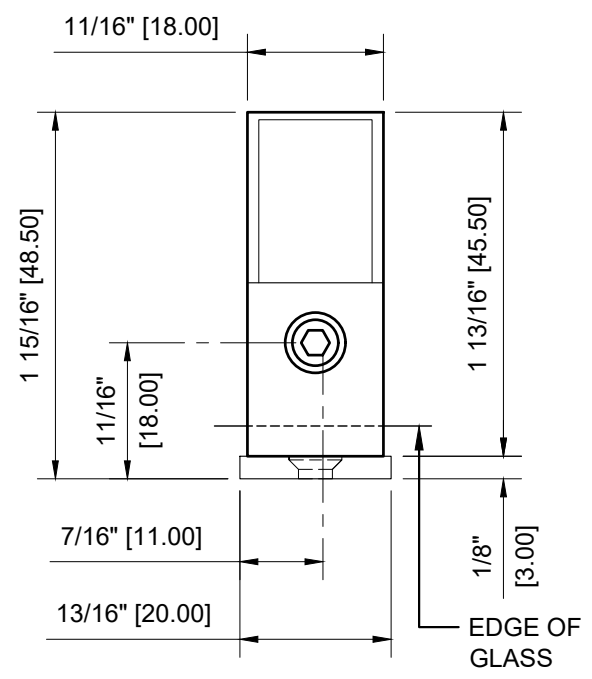
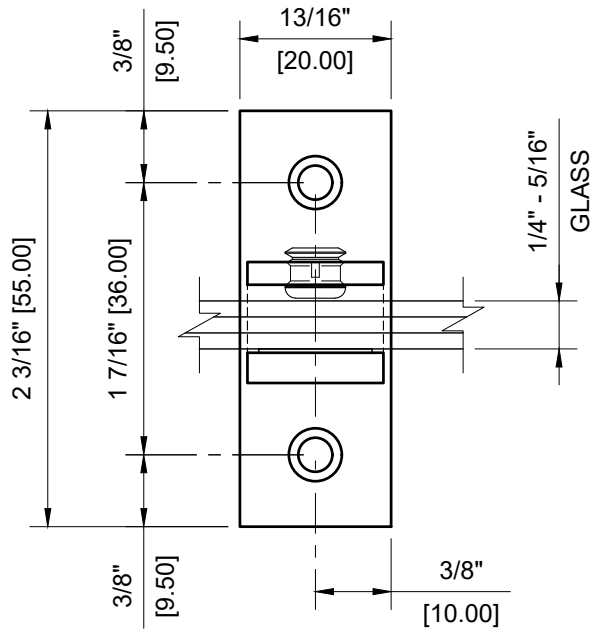


1/4" (6mm) GLASS:
5/16" (8mm) GLASS:



**CRL - EH51 BRUSHED NICKEL LONG LEG SET SCREW VERTICAL SHELF CLAMP FOR 1/4" - 5/16" GLASS**

**C.R. LAURENCE CO. ARCHITECTURAL PRODUCTS**  
 2503 E. Vernon Avenue, Los Angeles, CA 90058-1897  
 PH (800)-421-6144 FX: 800-587-7501 www.crlaurence.com



**DESCRIPTION:** CRL - EH51 BRUSHED NICKEL LONG LEG SET SCREW LARGE VERTICAL SHELF CLAMP FOR 1/4" TO 5/16" GLASS

**DATE:** 5-5-2020  
**SCALE:** 1'-0"=1'-0"  
**DRAWN BY:** VM