

Revisions By:

CRL
 2503 E. Vernon Avenue, Los Angeles, CA 90058-1897
 PH (800)-421-6144 FAX: 800-557-7501 www.crlaurence.com

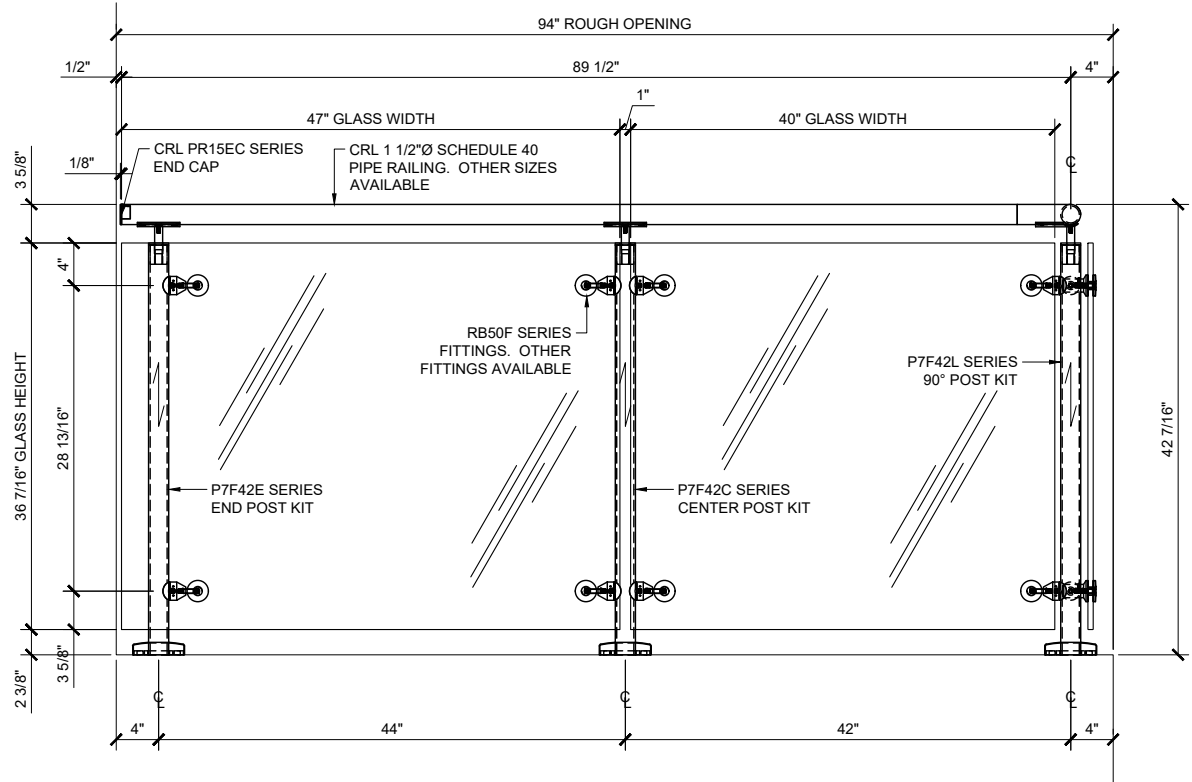
Description:
 CRL P7 SERIES
 POST RAILING SYSTEMS
 SYS0071G

Drawn By: SDH
 Date: 03/08/2017
 Scale: AS NOTED
 File Name:
 SYS0071G P7-Series Stainless Steel Post Railing System

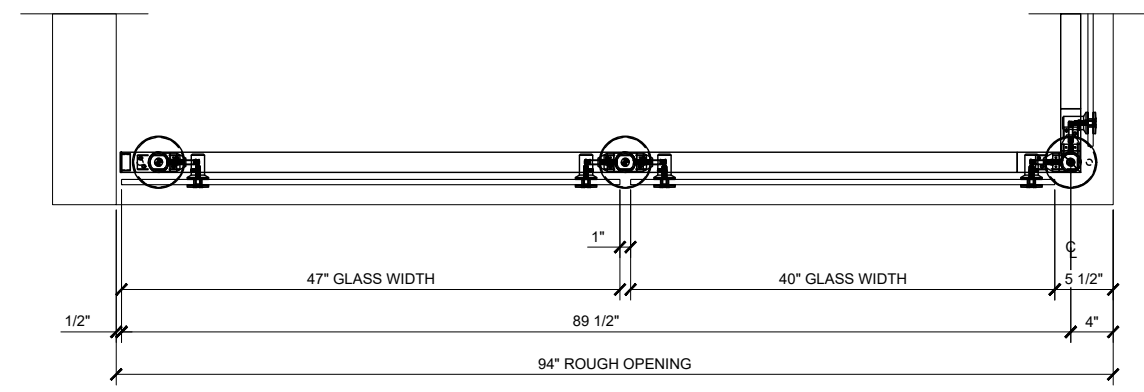
Sheet
 1.01

CRL P7 SERIES POST RAILING SYSTEM

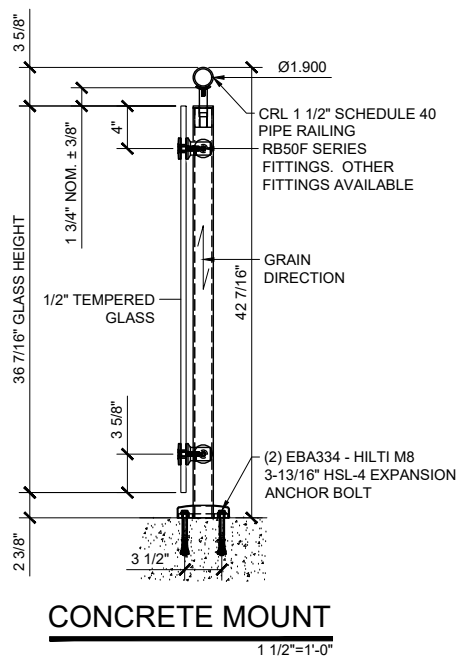
- * DESIGNED TO ACCEPT 1/2" TO 27/32" TEMPERED GLASS
- * TOP SADDLE SUPPORTS 1 1/4"Ø (1.66" O.D.) & 1 1/2"Ø (1.90" O.D.) SCHEDULE 40 PIPE RAILING AND 1 1/2"Ø O.D. TUBE RAILING
- * 36" AND 42" STANDARD POST HEIGHTS WITH CUSTOM HEIGHTS AVAILABLE
- * TWO STANDARD STAINLESS STEEL FINISHES BRUSHED OR POLISHED WITH CUSTOM POWDER PAINT FINISHES ALSO AVAILABLE
- * VERTICALLY ADJUSTABLE TOP SADDLE



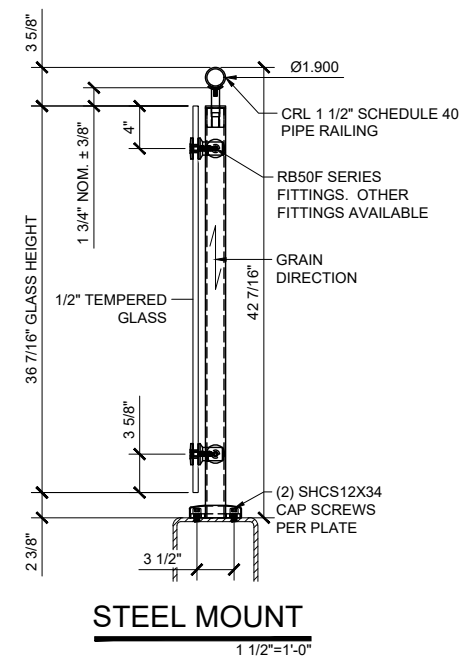
TYPICAL ELEVATION
 1 1/2"=1'-0"



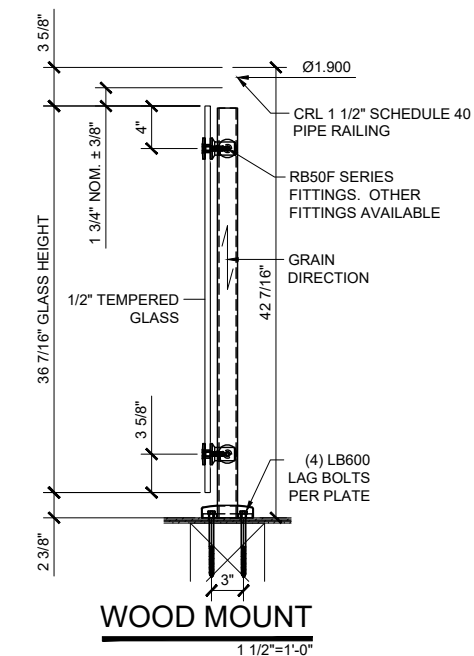
TYPICAL PLAN VIEW
 1 1/2"=1'-0"



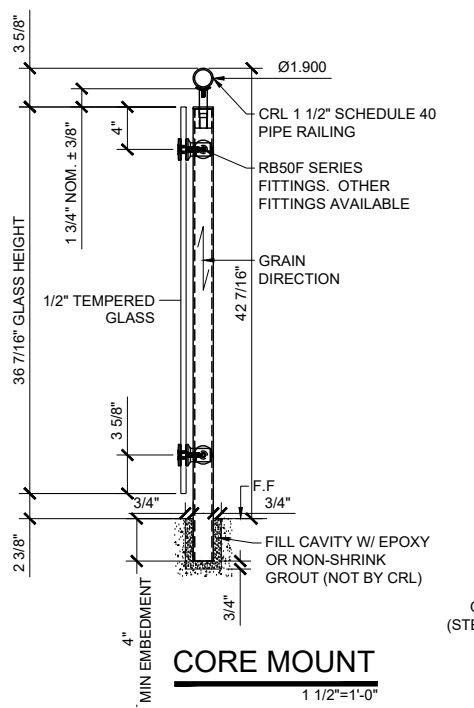
CONCRETE MOUNT
 1 1/2"=1'-0"



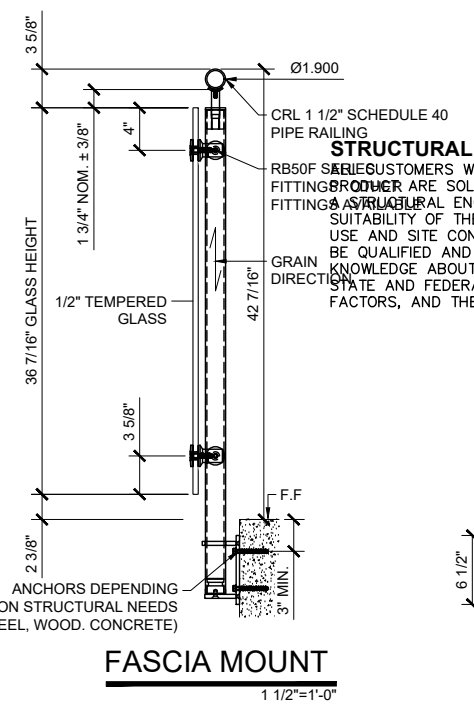
STEEL MOUNT
 1 1/2"=1'-0"



WOOD MOUNT
 1 1/2"=1'-0"

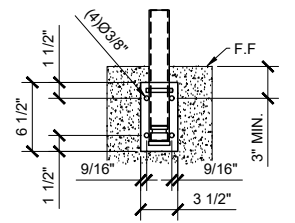


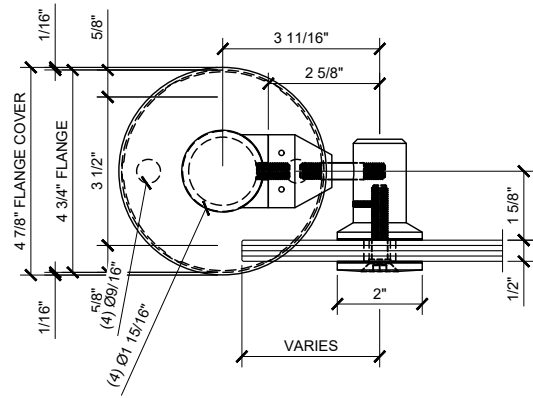
CORE MOUNT
 1 1/2"=1'-0"



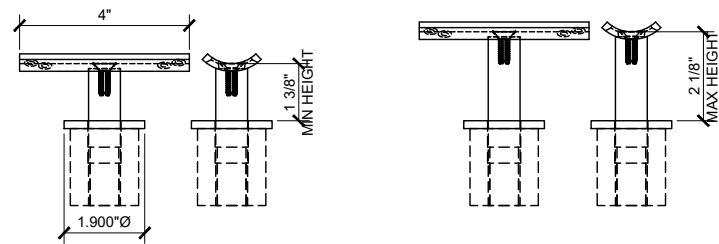
FASCIA MOUNT
 1 1/2"=1'-0"

STRUCTURAL DISCLAIMER:
 THE CUSTOMERS WHO IN ANY WAY UTILIZE THIS PRODUCT ARE SOLELY RESPONSIBLE TO CONSULT WITH A LICENSED STRUCTURAL ENGINEER TO DETERMINE THE SUITABILITY OF THE PRODUCT FOR THE INTENDED USE AND SITE CONDITIONS. ALL INSTALLERS MUST BE QUALIFIED AND HAVE PROFESSIONAL KNOWLEDGE ABOUT COMPLIANCE WITH LOCAL, STATE AND FEDERAL REGULATIONS, SAFETY FACTORS, AND THE APPROPRIATE CHOICE OF FIXING MATERIAL AND PROCEDURE.

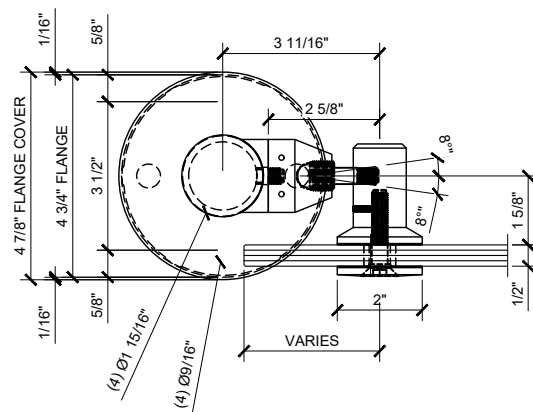




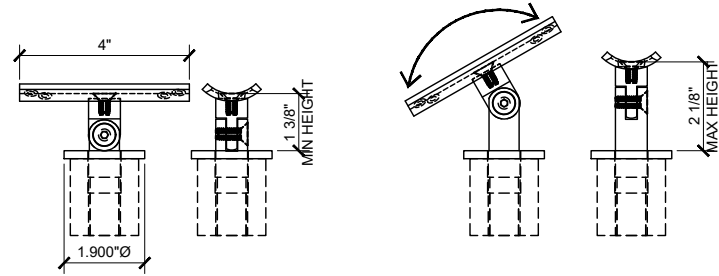
RB50F FIXED FITTING / FLANGE
SCALE: 1'-0"=1'-0"



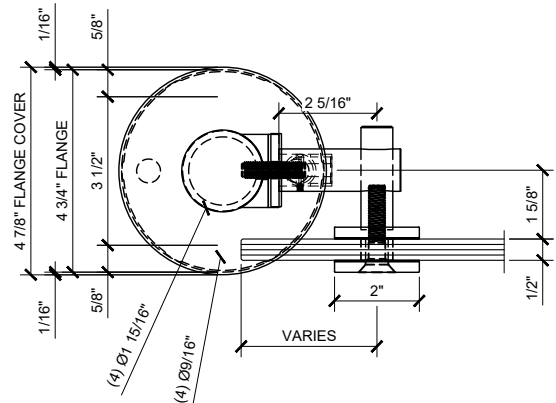
P7VF W/ PRS1 SADDLE
STANDARD VERTICAL ADJ
STANDOFF SADDLE
6"=1'-0"



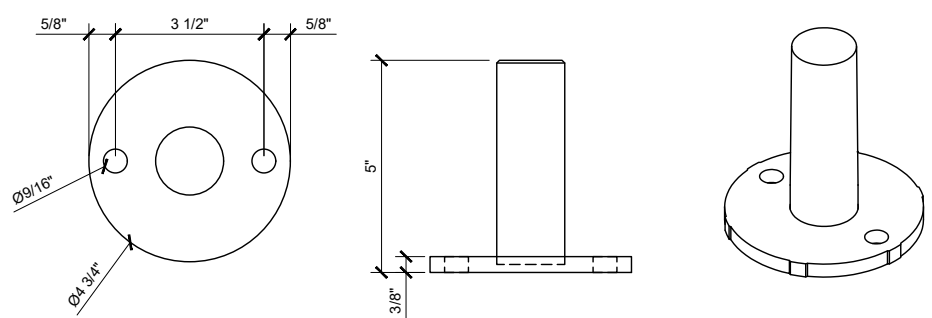
RB50F SWIVEL FITTING / FLANGE
SCALE: 1'-0"=1'-0"



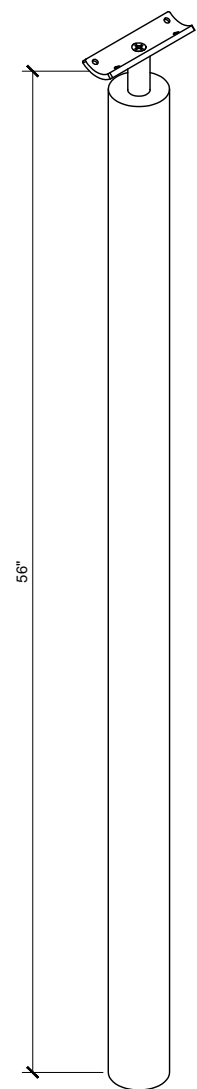
P7VS W/ PRS1 SADDLE
STANDARD VERTICAL ADJ
STANDOFF SADDLE
6"=1'-0"



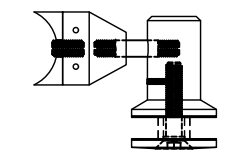
RB51F FIXED FITTING / FLANGE
SCALE: 1'-0"=1'-0"



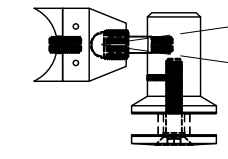
P7BFS SURFACE MOUNT STANCHION
SCALE: 1'-0"=1'-0"



P1BPF FIXED SADDLE / P1BPS SWIVEL SADDLE BLANK POST
SCALE: 6"=1'-0"



RB50F FIXED FITTING
SCALE: 6"=1'-0"



RB50S SWIVEL FITTING
SCALE: 6"=1'-0"

Revisions By:

CRL

2503 E. Vernon Avenue, Los Angeles, CA 90058-1897
PH (800)-421-6144 FAX: 800-557-7501 www.crlaurence.com

Description:
CRL P7 SERIES
POST RAILING SYSTEMS
SYS0071G

Drawn By: SDH
Date: 03/08/2017
Scale: AS NOTED
File Name:
SYS0071G P7-Series Stainless Steel Post Railing System

Sheet

2.01