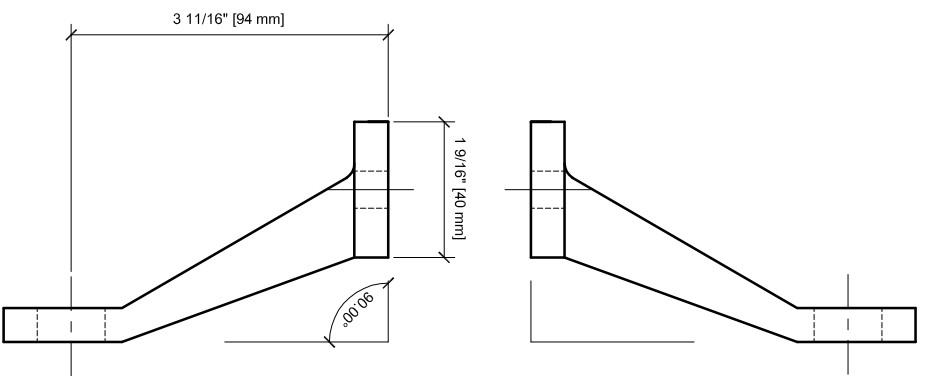
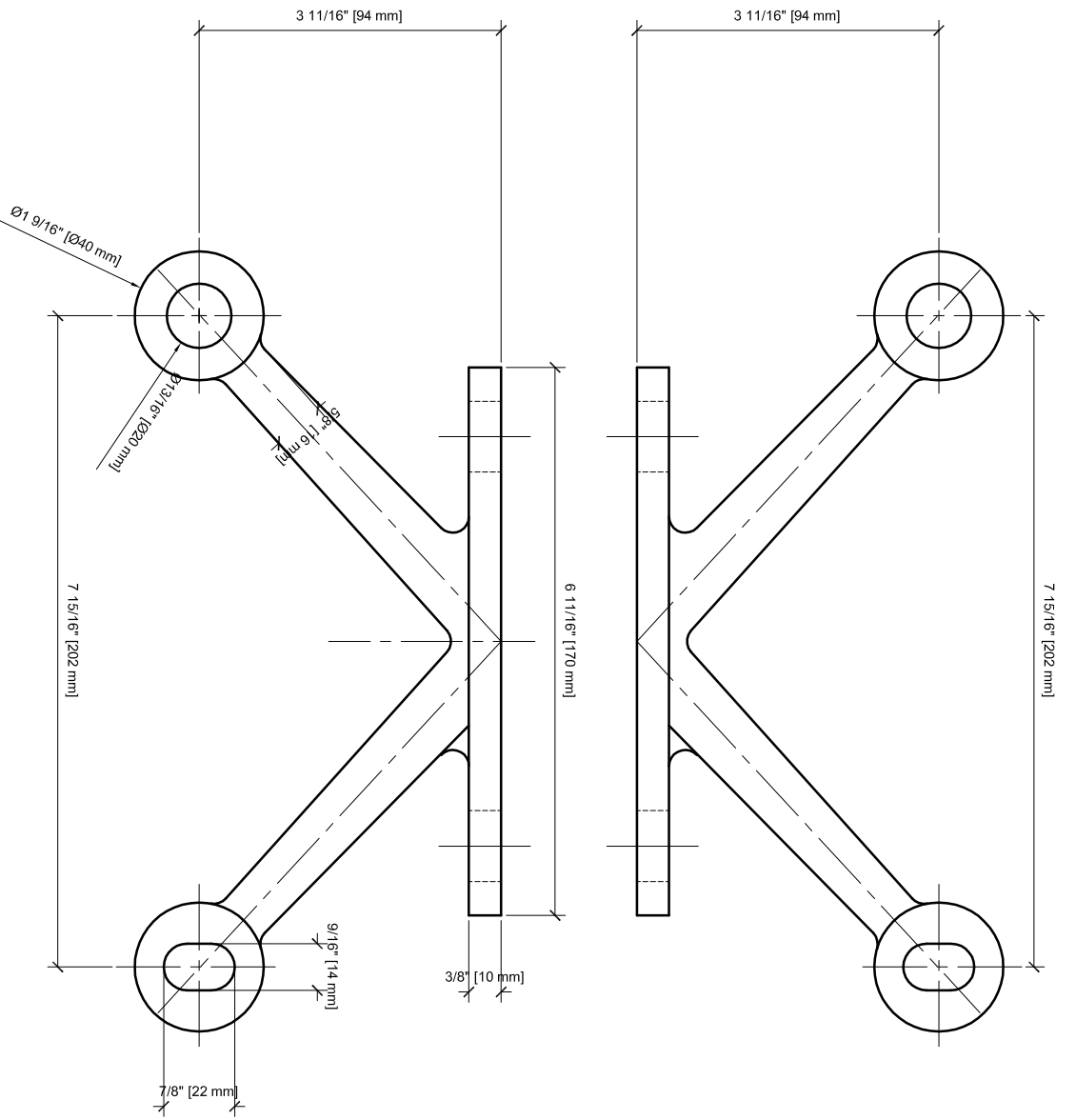


FMH4



Glazing Contractor :
CR LAURENCE
 Address 1
 Address 2
 Tel 1 xxx xxx xxx
 Fax 1 xxx xxx xxx

Project Name :
FMH4 SPIDER FITTING

Architect :
 -
 -
 -
 -
 Tel -
 Fax -

CRL
 C.R. LAURENCE CO. ©
 ARCHITECTURAL PRODUCTS
 2503 E. Vernon Avenue,
 Los Angeles, CA 90058-1897
 PH (800) 421-6144 FAX (800) 262-3299
 www.crlaurence.com

Drawn By : RGA
 Date : 05/13/10
 Scale : As Noted
 Job No. : zc-xxx
 Sheet No. :