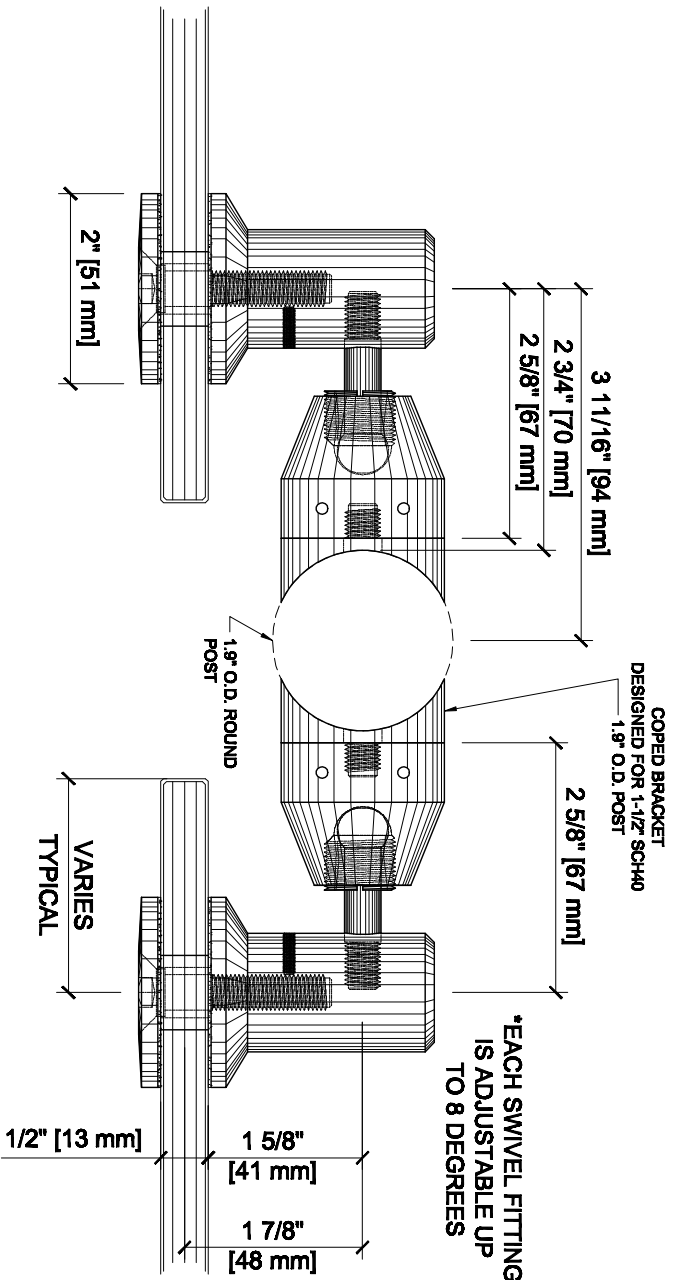
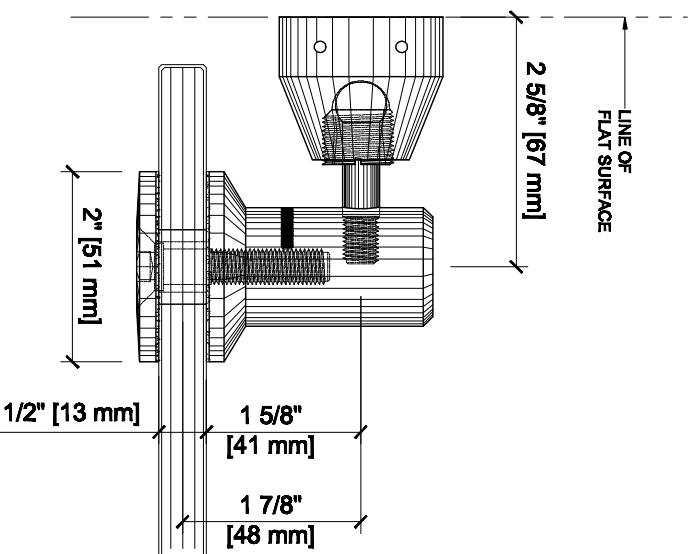


CRL SWIVEL DOUBLE ARM GLASS FITTING FOR ROUND POST OR FLAT SURFACE MOUNTING



POST MOUNT APPLICATION



FLAT SURFACE MOUNT APPLICATION

GLASS FITTING BRACKET ASSEMBLY DETAIL USED FOR:

CATALOG NUMBER	FINISH
RB50SBS	BRUSHED S/S
RB50SPS	POLISHED S/S

NOTE: FOR USE WITH 1/2" (12mm) TEMPERED GLASS
(DO NOT USE RAW OR ANNEALED GLASS)
ONE 3/4" (19 mm) DIA. HOLE PER FITTING

ALWAYS USE DIMENSIONS SHOWN ON THE PLAN.
DO NOT SCALE OR DIMENSION ACTUAL DRAWING
TO ENSURE ACCURACY

CRL ARCHITECTURAL PRODUCTS
 PHONE: 800-421-6144 FAX: 800-282-3289
 WWW.CRLAURANCE.COM

DESCRIPTION:	SWIVEL FITTING SET
CAT. NO. (SEE CHART)	DATE: 01/14/09
FILE NAME: RB50S	SCALE: N.T.S.
DRAWN BY: R.A.	CHECKED BY: C.H.
	SHT 1 OF 1