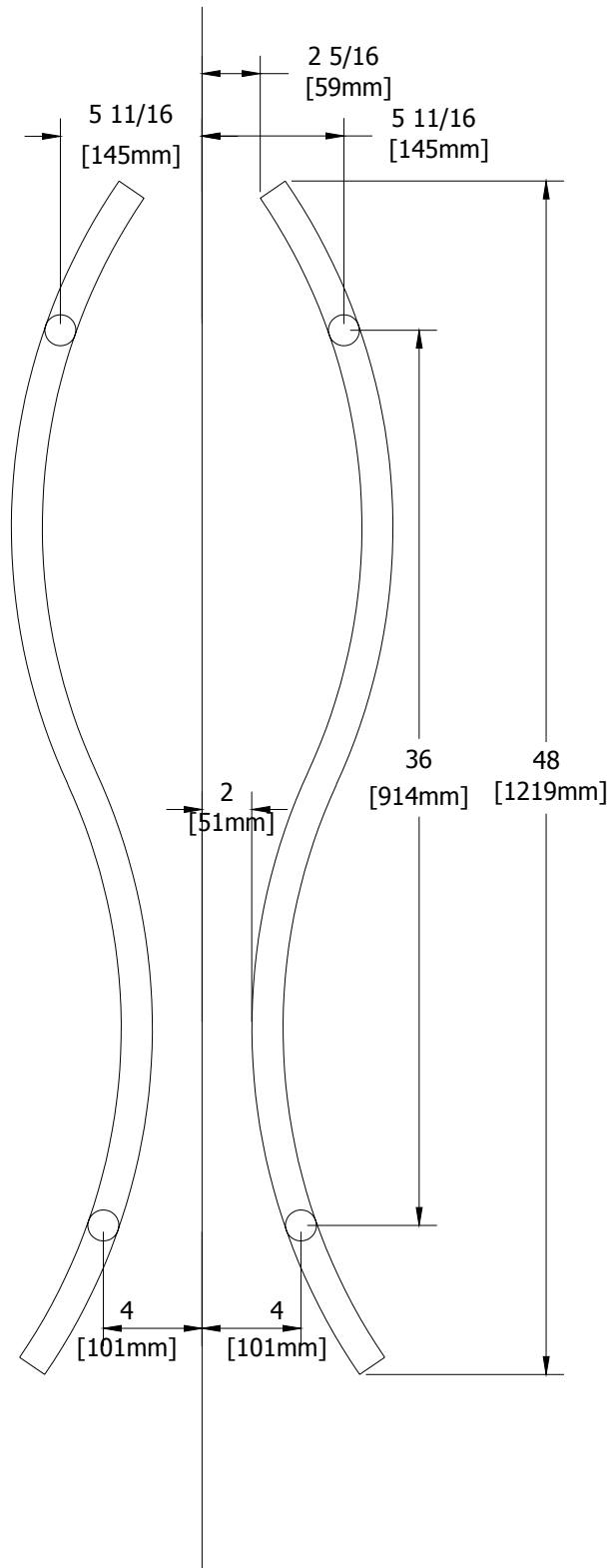


48SLPBS
48SLPPS

Glass Fabrication:
3/8"[10mm] and 1/2"[12mm]:
Ø5/8"[16mm] holes

3/4"[19mm]:
Ø3/4"[19mm] holes

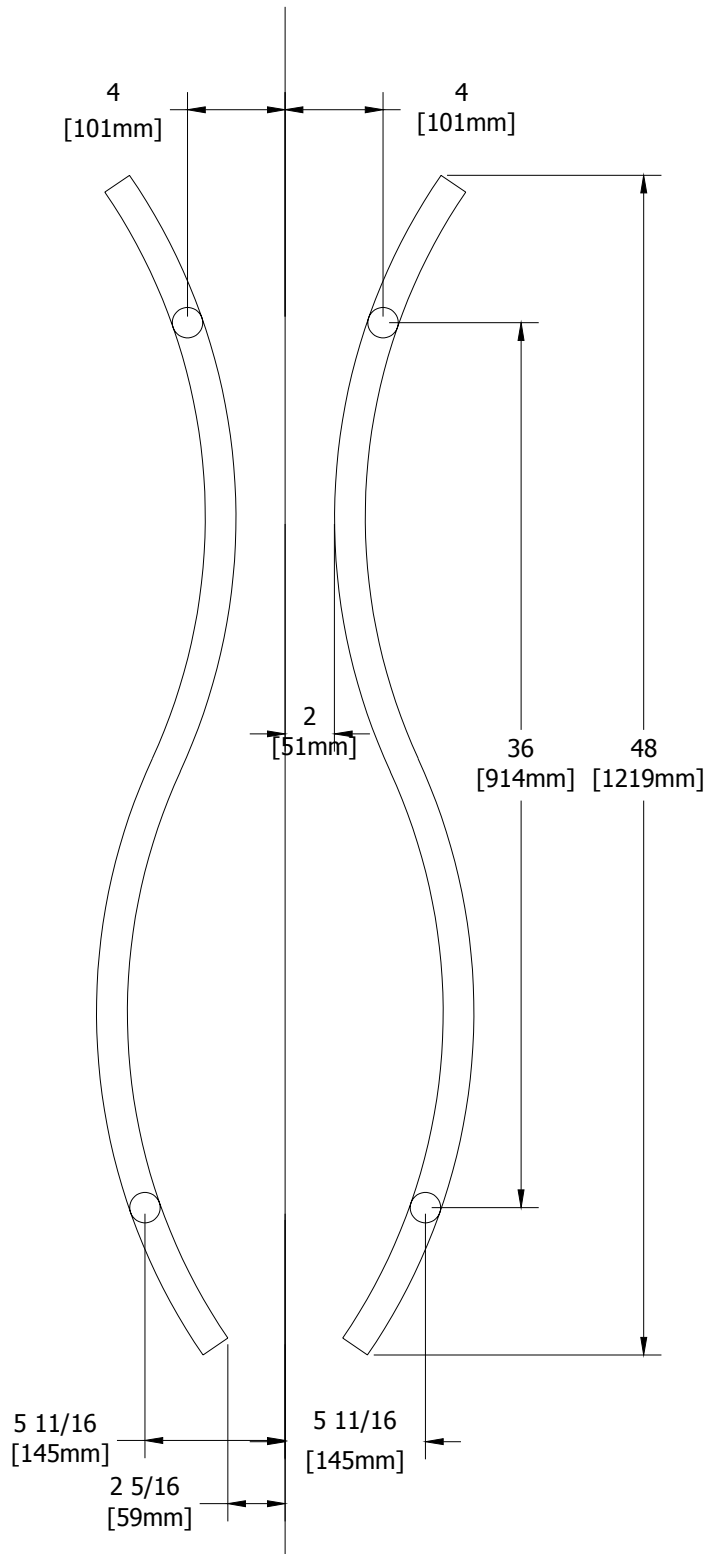


48SLPBS
48SLPPS

48SRPBS
48SRPPS

Glass Fabrication:
3/8"[10mm] and 1/2"[12mm]:
Ø5/8"[16mm] holes

3/4"[19mm]:
Ø3/4"[19mm] holes

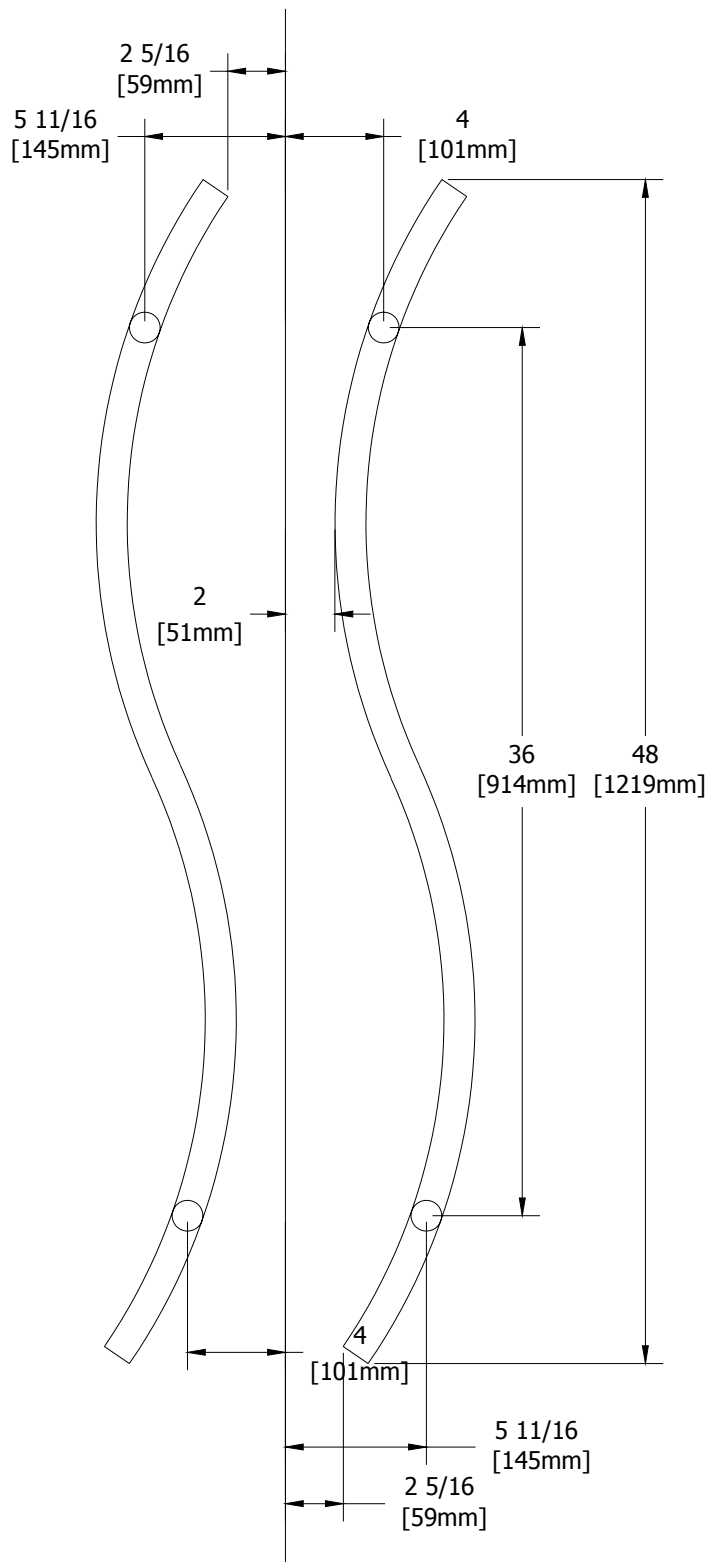


48SRPBS
48SRPPS

48SLPBS
48SLPPS

Glass Fabrication:
3/8" [10mm] and 1/2" [12mm]:
Ø5/8" [16mm] holes

3/4" [19mm]:
Ø3/4" [19mm] holes



48SLPBS
48SLPPS

48SLPBS
48SLPPS

Glass Fabrication:

$\frac{3}{8}$ "[10mm] and $\frac{1}{2}$ "[12mm]:

$\varnothing\frac{5}{8}$ "[16mm] holes

$\frac{3}{4}$ "[19mm]:

$\varnothing\frac{3}{4}$ "[19mm] holes