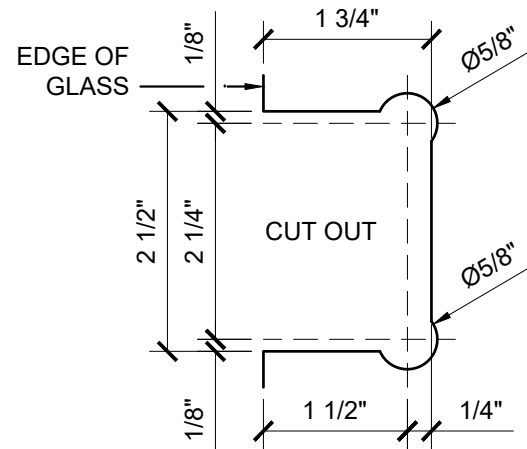
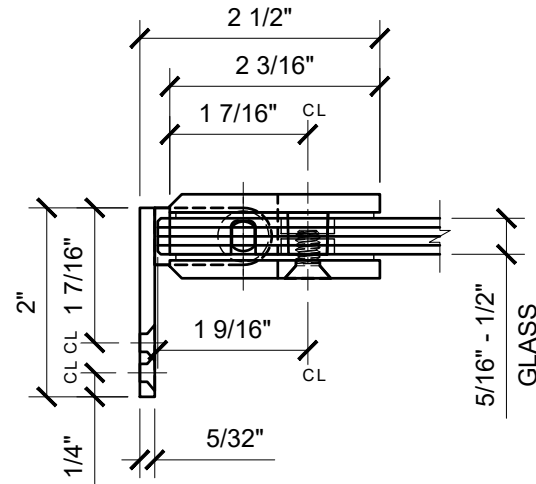


USE OF GASKETS

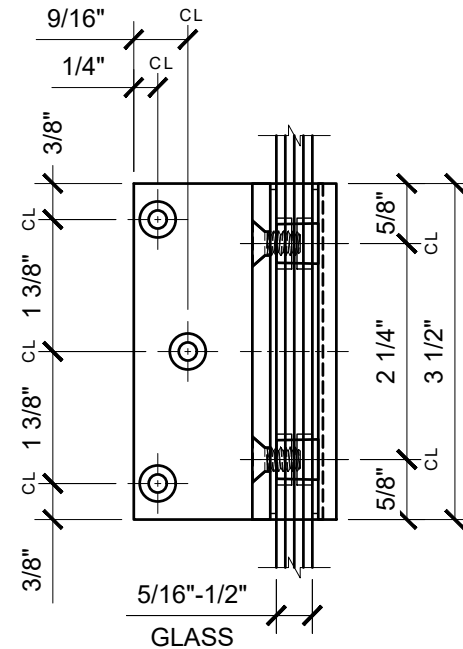
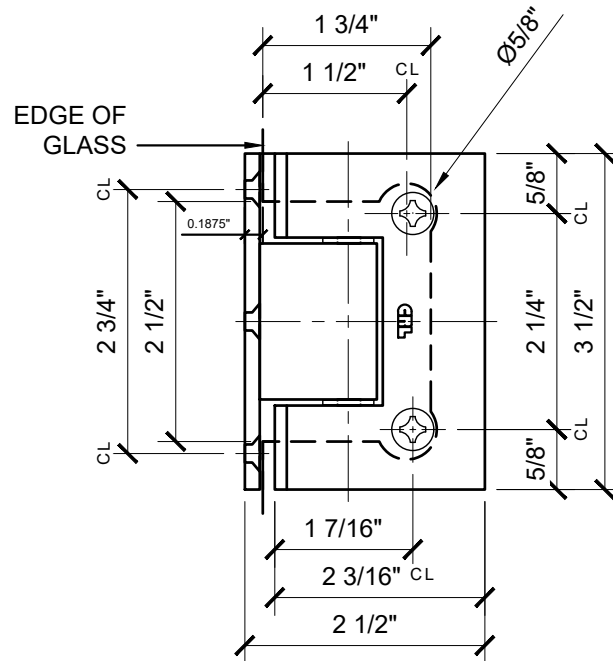
FOR 5/16" (8mm) GLASS: USE ONE THICK GASKET ON EACH SIDE

FOR 3/8" (10mm) GLASS: USE ONE THICK GASKET ON EACH SIDE

FOR 1/2" (12mm) GLASS: USE ONE THIN GASKET ON EACH SIDE



GLASS FABRICATION TEMPLATE



CATALOG NUMBER	FINISH
GEN044CH	CHROME
GEN044BR	BRASS
GEN044ORB	OIL RUBBED BRONZE
GEN044ABC0	ANTIQUE BRUSHED COPPER
GEN044ABL	ALL BLACK
GEN044ABN	ANTIQUE BRUSHED NICKEL
GEN044ABR	ANTIQUE BRASS
GEN044ABRZ	ANTIQUE BRONZE
GEN044AW	ALL WHITE
GEN044BBRZ	BRUSHED BRONZE
GEN044BN	BRUSHED NICKEL
GEN044BSC	BRUSHED SATIN CHROME
GEN044CBA	CHROME W/ BRASS ACCENTS
GEN044GP	GOLD PLATED
GEN044PC0	POLISHED COPPER
GEN044PN	POLISHED NICKEL
GEN044SB	SATIN BRASS
GEN044SC	SATIN CHROME
GEN044SN	SATIN NICKEL
GEN044UBR	ULTRA BRASS
GEN044WC	WHITE W/ CHROME ACCENTS

GEN044XX - CRL GENEVA SERIES WALL MOUNT OFFSET BACK PLATE HINGE

DATE: 6/20/17  
SCALE: 6"=1'-0"  
DRAWN BY: VM

DESCRIPTION: CRL GEN044  
GENEVA 044 SERIES WALL MOUNT  
OFFSET BACK PLATE HINGE

C.R.LAURENCE CO. ARCHITECTURAL PRODUCTS  
2503 E. Vernon Avenue, Los Angeles, C.A 90058-1897  
PH (800)-421-6144 FX: 800-587-7501 www.crlaurence.com

