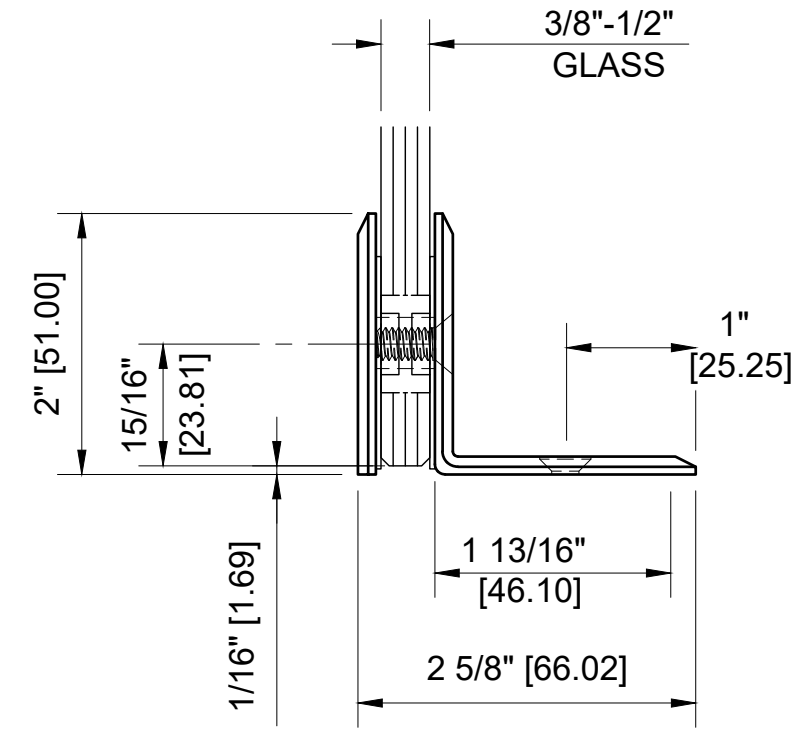
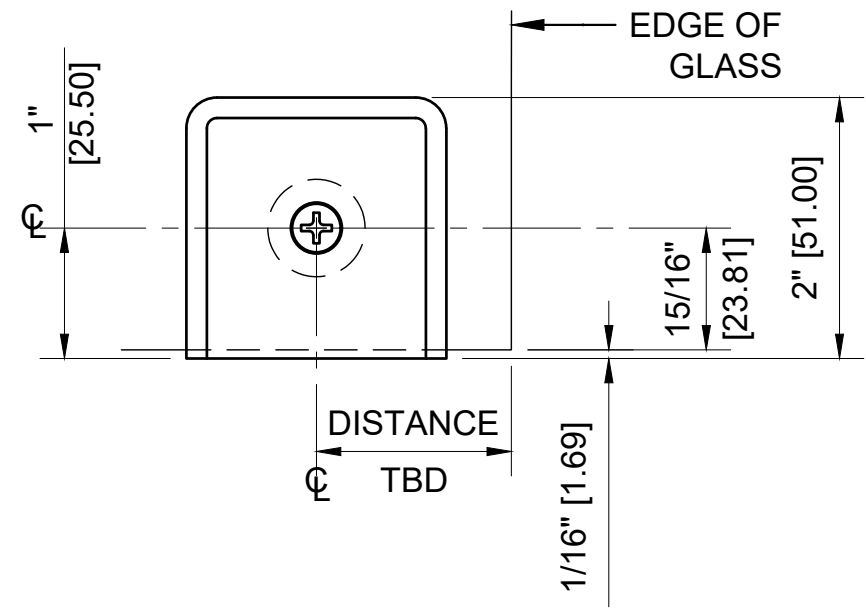
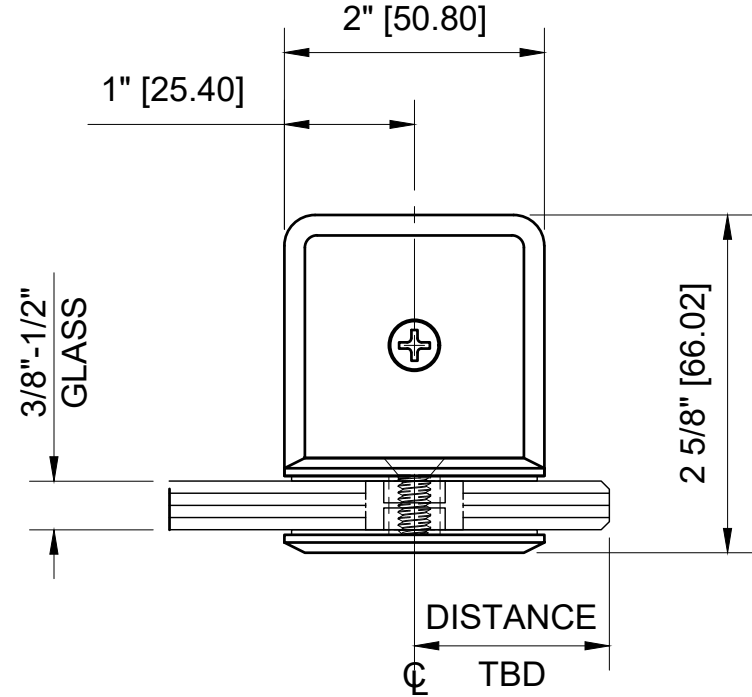


USE OF GASKETS

FOR 3/8" (10mm) GLASS:
 FOR 1/2" (12mm) GLASS:



BGC039XX - CRL BEVELED STYLE HOLE IN GLASS FIXED PANEL LARGE LEG CLAMP

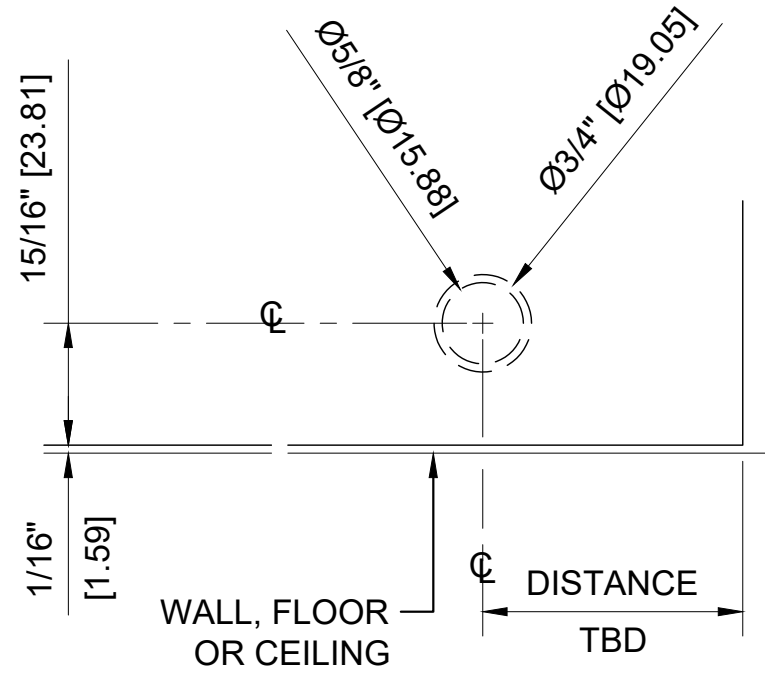
DATE: 10-28-2019
 SCALE: 6"=1'-0"
 DRAWN BY: VM

DESCRIPTION: CRL FIXED PANEL BEVELED CLAMP
 CTS
 BGC039 - LARGE LEG GLASS CLAMP

C.R. LAURENCE CO. ARCHITECTURAL PRODUCTS
 2503 E. Vernon Avenue, Los Angeles, C.A. 90058-1897
 PH (800)-421-6144 FX: 800-587-7501 www.crlaurence.com



USE OF GASKETS
FOR 3/8" (10mm) GLASS:
FOR 1/2" (12mm) GLASS:



WALL, FLOOR, OR CEILING MOUNT
5/8" (16mm) OR 3/4" (19mm) DIAMETER HOLE
5/32" (4mm) TO 3/16" (5mm) CLEARANCE
 GLASS FABRICATION TEMPLATE

BGC039XX - CRL BEVELED STYLE HOLE IN GLASS FIXED PANEL LARGE LEG CLAMP

DATE:	10-28-2019
SCALE:	6"=1'-0"
DRAWN BY:	VM

DESCRIPTION:	CRL FIXED PANEL BEVELED CLAMP
CTS	BGC039 - LARGE LEG GLASS CLAMP
www.crlaurence.com	

C.R. LAURENCE CO. ARCHITECTURAL PRODUCTS
 2503 E. Vernon Avenue, Los Angeles, CA 90058-1897
 PH (800)-421-6144 FX: 800-587-7501 www.crlaurence.com

