

Revisions By:



2503 E. Vernon Avenue, Los Angeles, CA 90059-1897
 PH (800)-421-6144 FX: 800-537-7501 www.crlaurence.com

Description:
 CRL P3-SERIES
 POST RAILING SYSTEMS
 SYS0071C

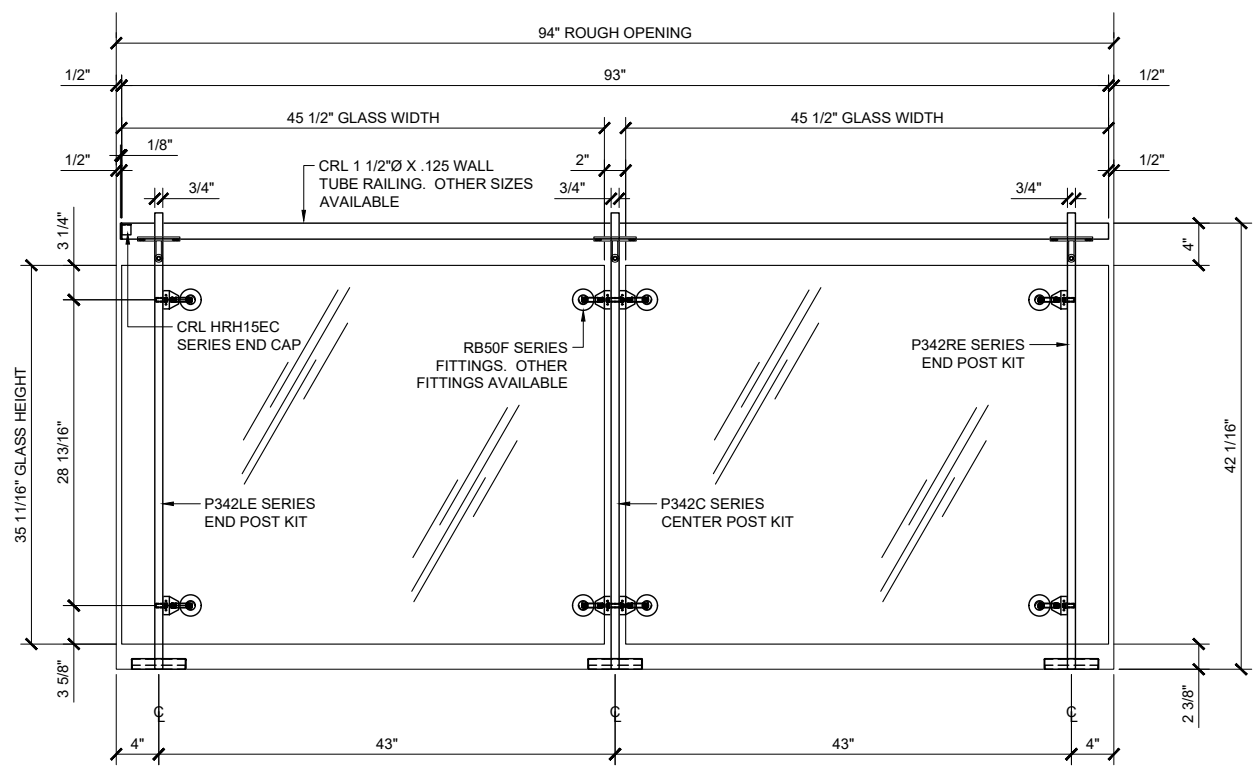
Drawn By: SDH
 Date: 03/08/2017
 Scale: AS NOTED
 File Name:
 SYS0071C P3Series Stainless Steel Post Railing Systems

Sheet

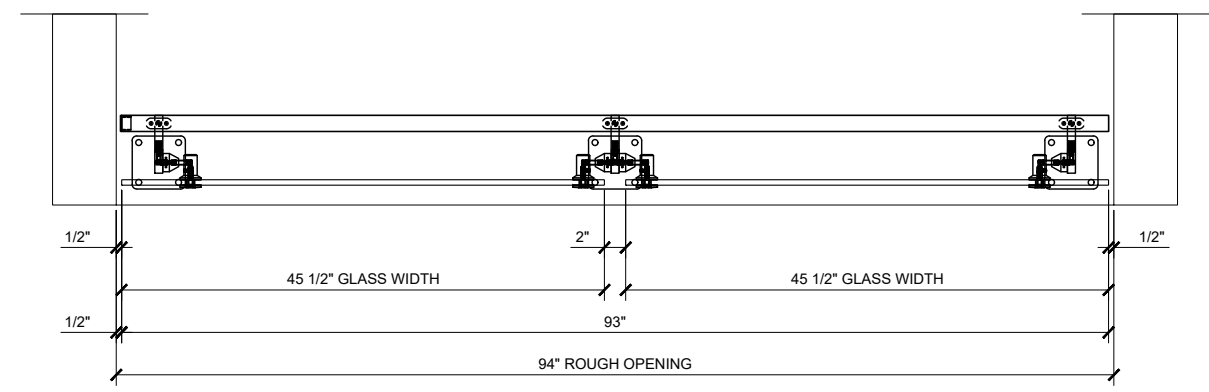
1.01

CRL P3 SERIES POST RAILING SYSTEM

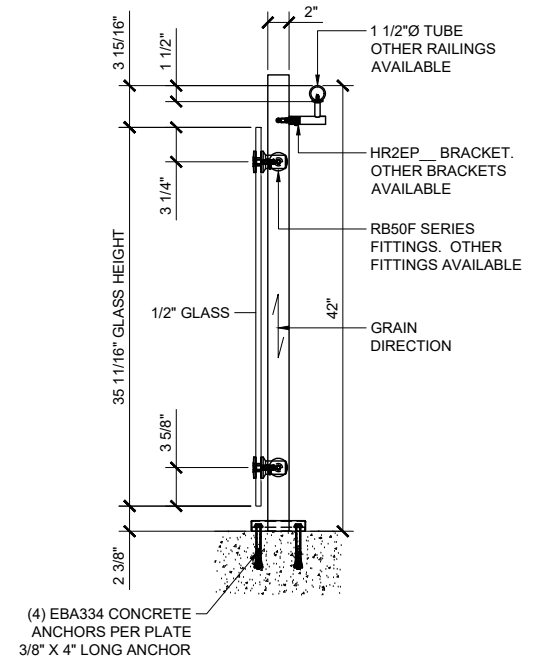
- * DESIGNED TO ACCEPT 1/2" TO 27/32" TEMPERED GLASS
- * POST SUPPORTS A VARIETY BRACKET AND RAILING SYSTEMS
- * 36" AND 42" STANDARD POST HEIGHTS WITH CUSTOM HEIGHTS AVAILABLE
- * TWO STANDARD STAINLESS STEEL FINISHES WITH CUSTOM POWDER PAINT FINISHES ALSO AVAILABLE



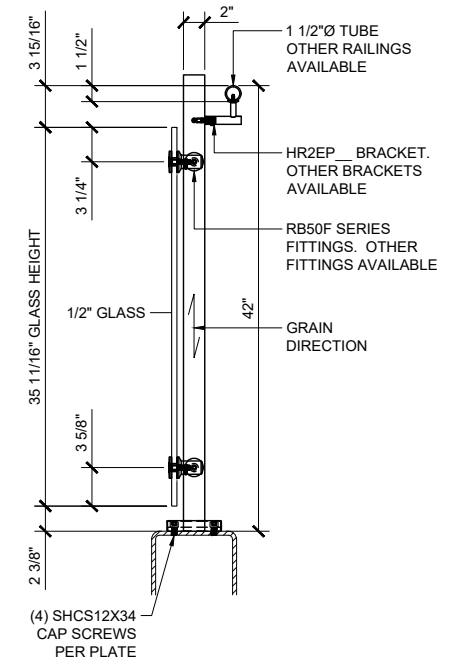
TYPICAL ELEVATION
 SCALE: 1 1/2"=1'-0"



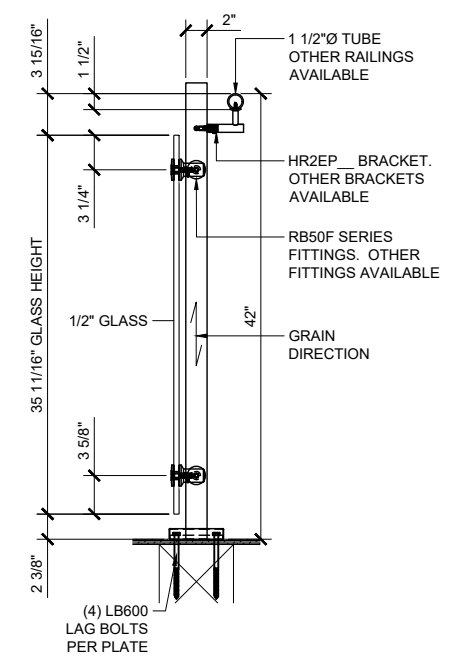
TYPICAL PLAN VIEW
 SCALE: 1 1/2"=1'-0"



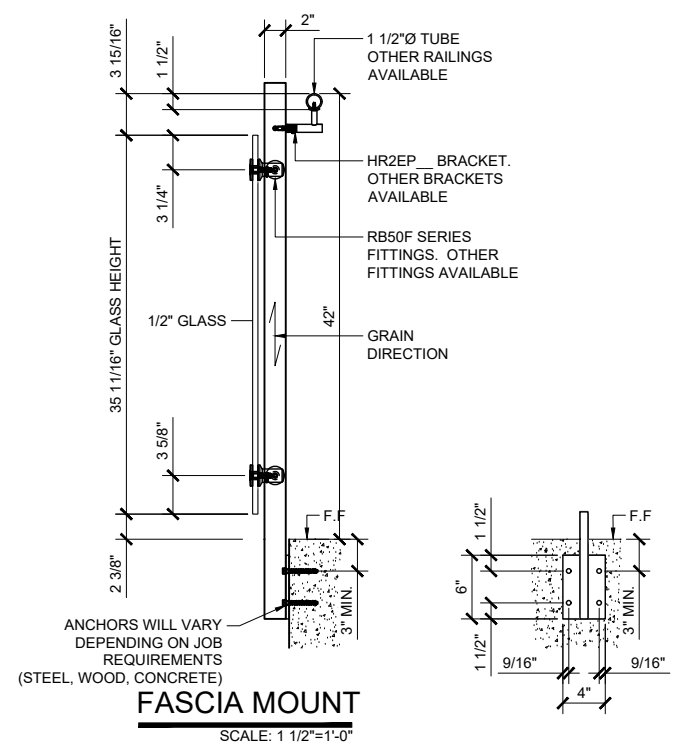
CONCRETE MOUNT
 SCALE: 1 1/2"=1'-0"



STEEL MOUNT
 SCALE: 1 1/2"=1'-0"



WOOD MOUNT
 SCALE: 1 1/2"=1'-0"



FASCIA MOUNT
 SCALE: 1 1/2"=1'-0"

Revisions By:

CRL.

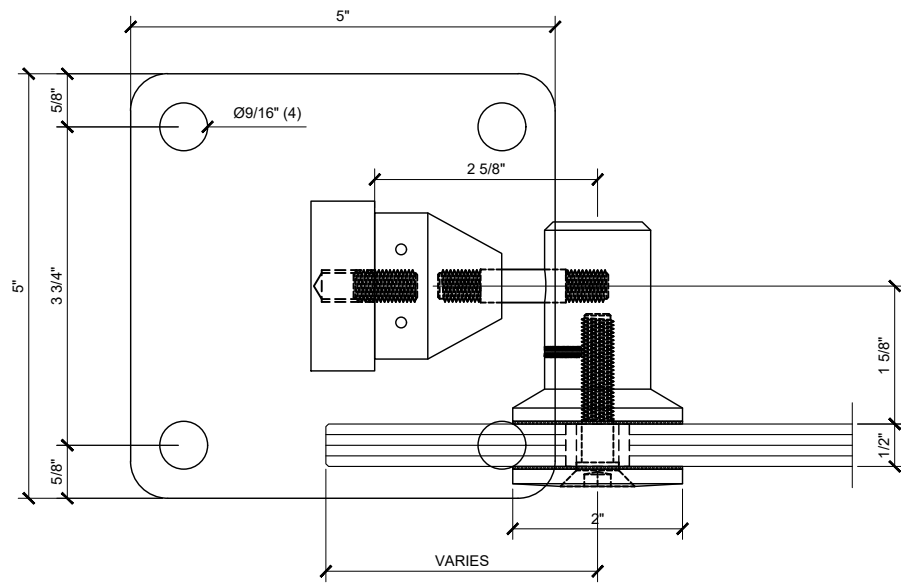
2503 E. Vernon Avenue, Los Angeles, CA 90059-1897
PH (800)-421-6144 FX: 800-537-7501 www.crla.com

Description:
CRL P3-SERIES
POST RAILING SYSTEMS
SYS0071C

Drawn By: SDH
Date: 03/08/2017
Scale: AS NOTED
File Name:
SYS0071C P3Series Stainless Steel Post Railing Systems

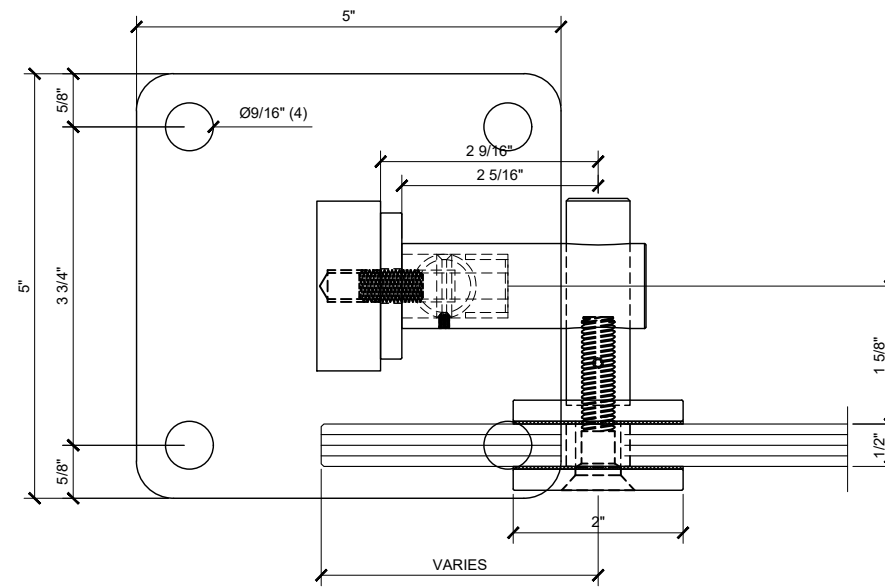
Sheet

2.01



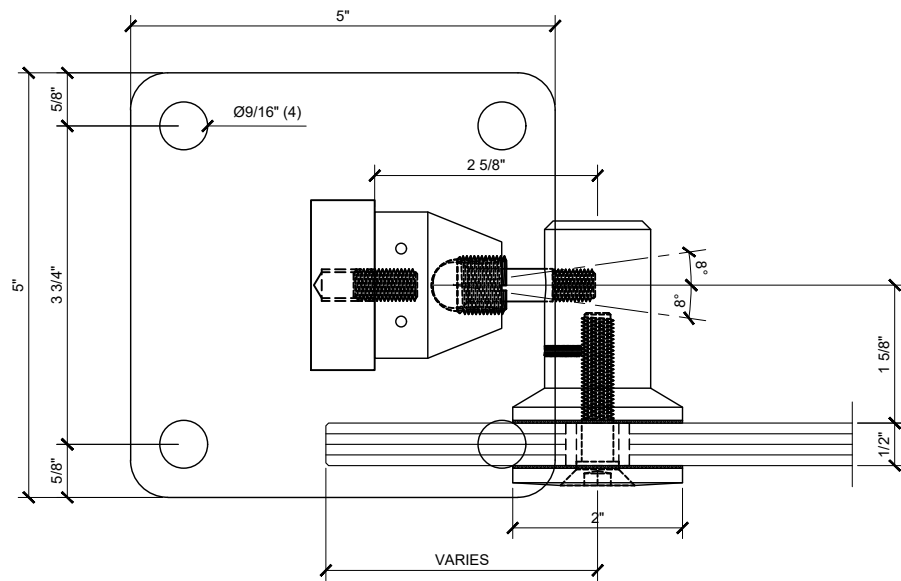
RB50F FIXED FITTING W/ FLANGE

SCALE: 1'-0"=1'-0"



RB51F FIXED FITTING W/ FLANGE

SCALE: 1'-0"=1'-0"



RB50S FIXED FITTING W/ FLANGE

SCALE: 1'-0"=1'-0"