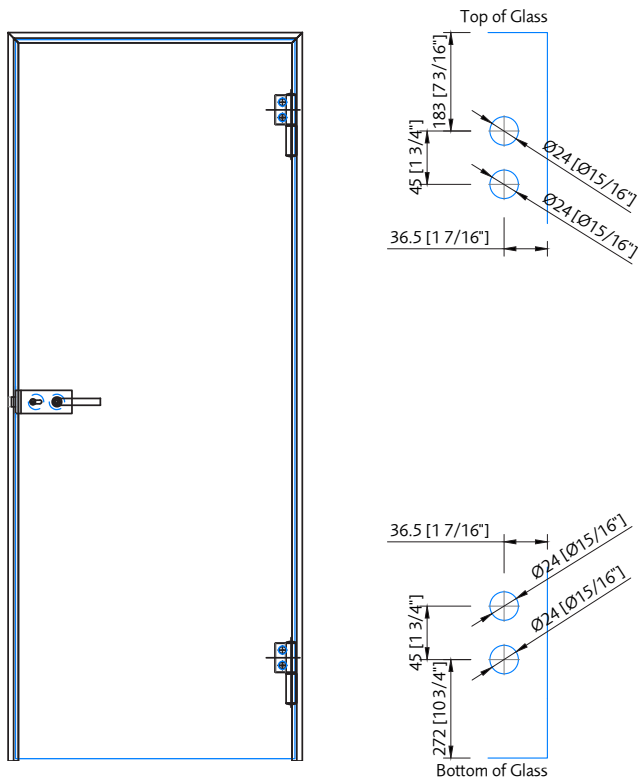


EVO

FHEHLMBL/FHEHLSA & FHEHRMBL/FHEHRSA

	<p>Suggested</p>	<p>Tools Required</p> <p>CH-4</p>	<p>GLASS</p> <p>5/16" - 7/8" [8 - 21.52]</p> <p>SCREW</p>
--	------------------	-----------------------------------	---

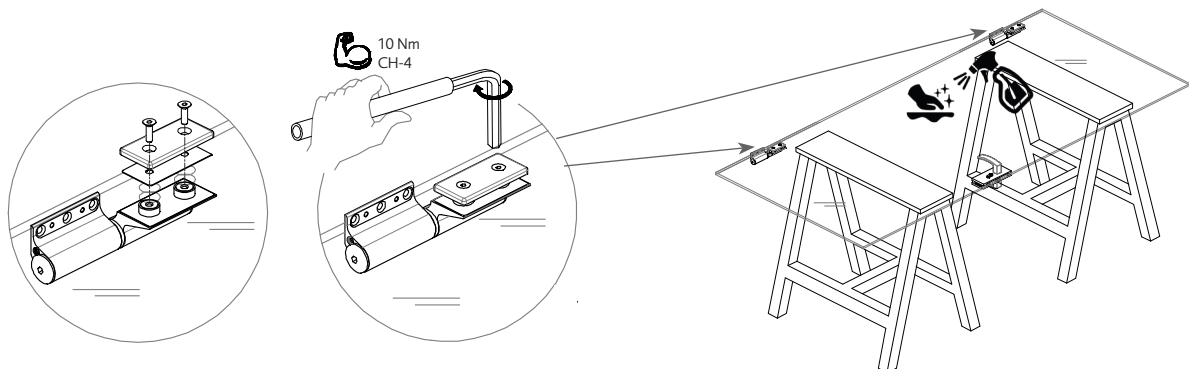
1 GLASS PREP



The screws are selected depending on the glass thickness

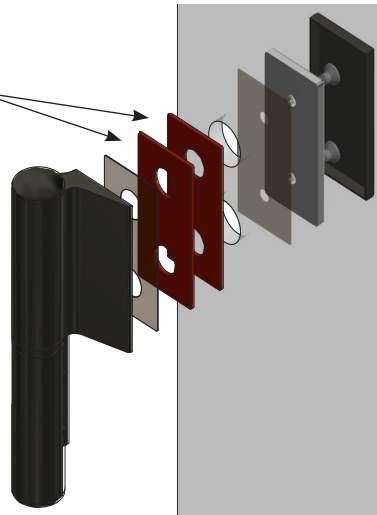
$5/16" [8] \div 3/8" [10]$	M6 x 16
$3/8" [10] \div 9/16" [13.52]$	M6 x 20
$9/16" [13.52] \div 11/16" [17.52]$	M6 x 25
$11/16" [17.52] \div 7/8" [21.52]$	M6 x 30

2 INSTALL FHEHLxxx/FHEHRxxx IN THE PRE-DRILLED HOLES

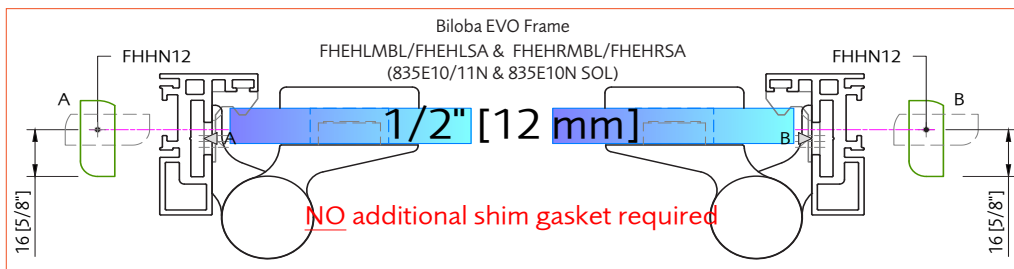
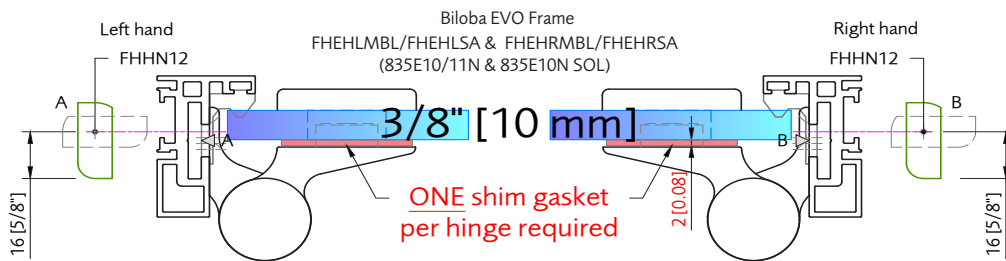


3 USING EVO WITH FALLBROOK & FALLBROOK XL NY

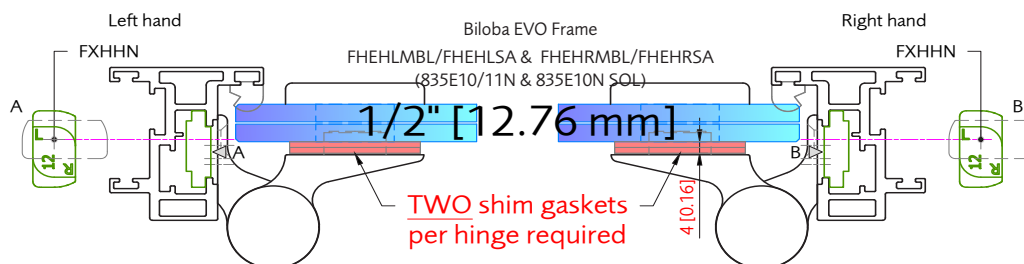
Number of shim gaskets depending on glass thickness and door frame system. Please see detail sections.



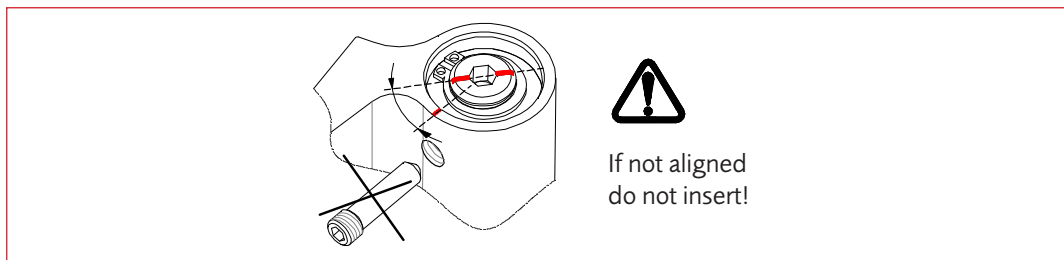
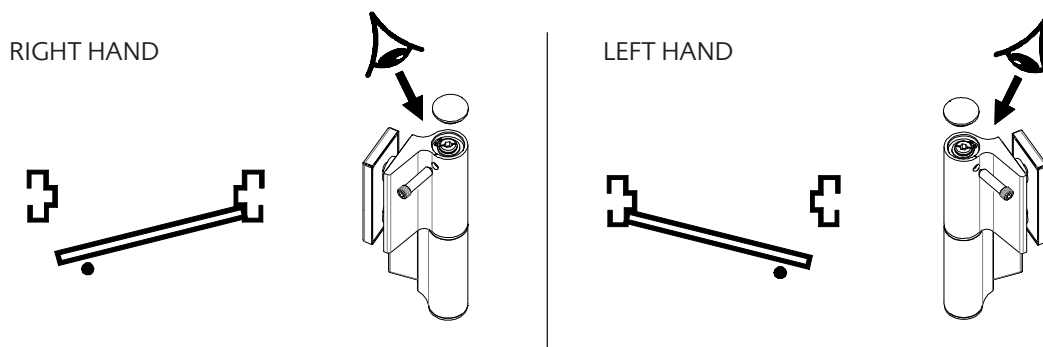
3a USING EVO WITH FALLBROOK



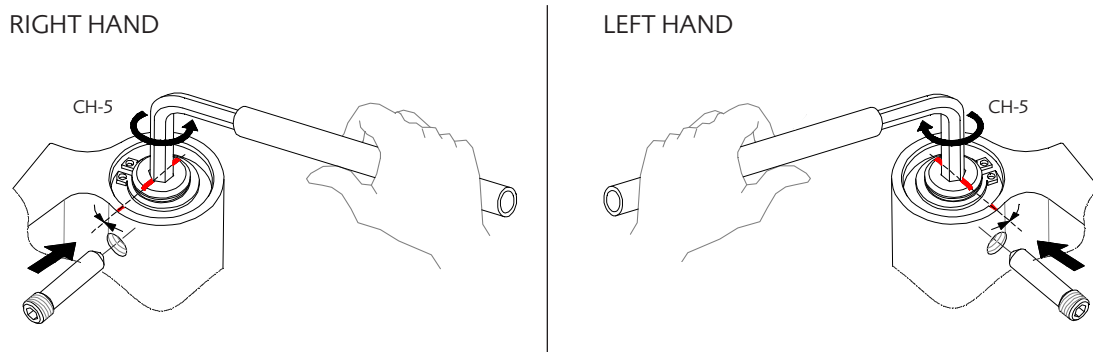
3b USING EVO WITH FALLBROOK XL NY



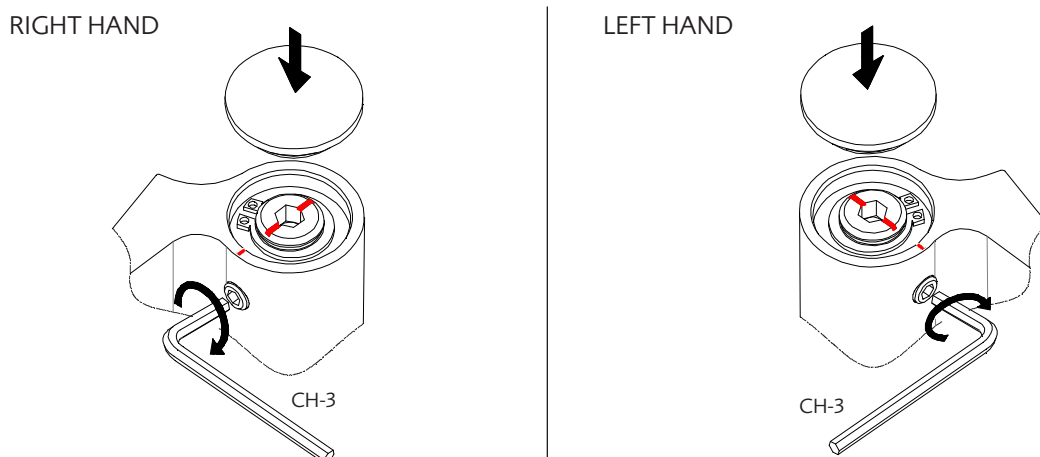
4 HOW TO ACTIVATE HYDRAULIC FUNCTION.



4a ROTATE RIGHT TO ALIGN RIGHT & LEFT TO ALIGN LEFT

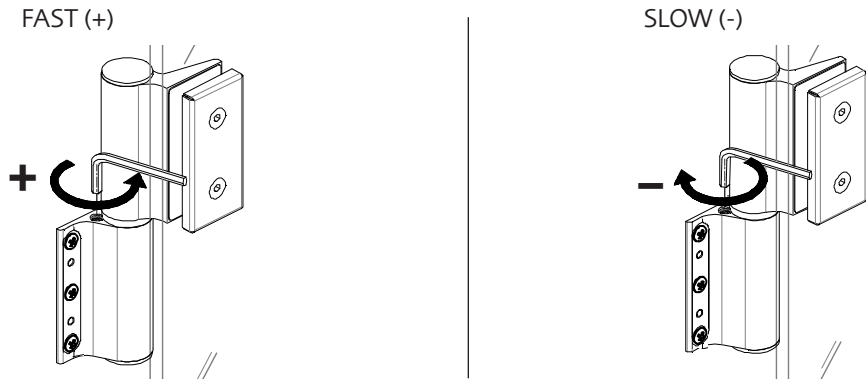


4b TIGHTEN THE SCREW

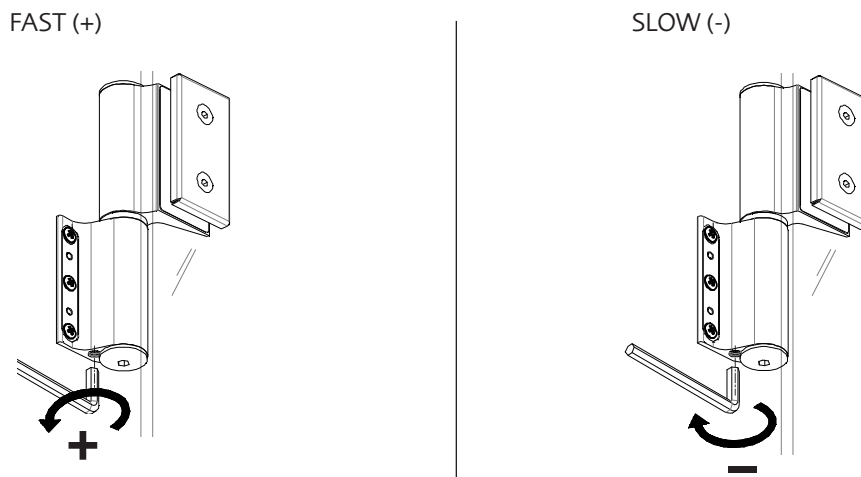


5 HOW TO ADJUST CLOSING SPEED

5a CONTROL CLOSING RANGE 80°|160° TO 15°



5B CONTROL CLOSING RANGE 15° TO 0°



6 COVER

