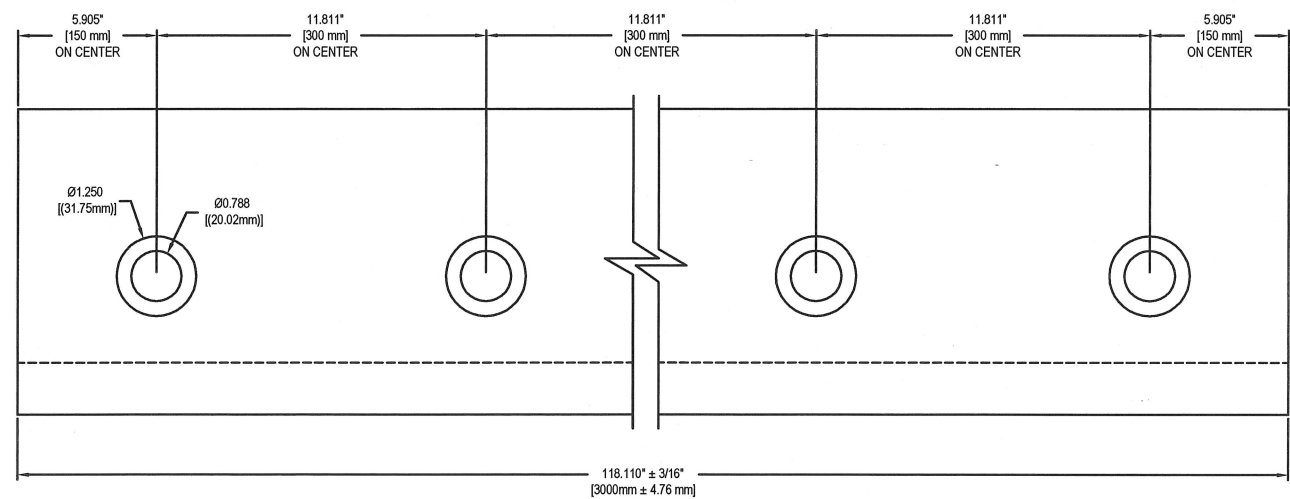
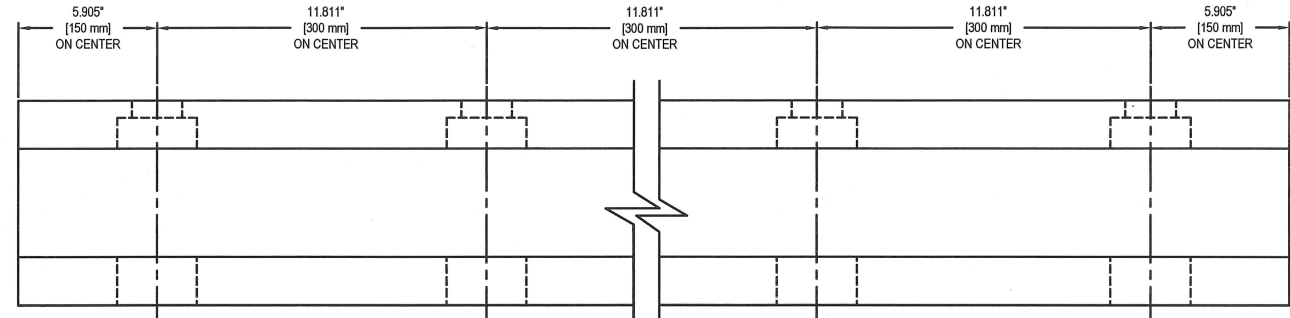
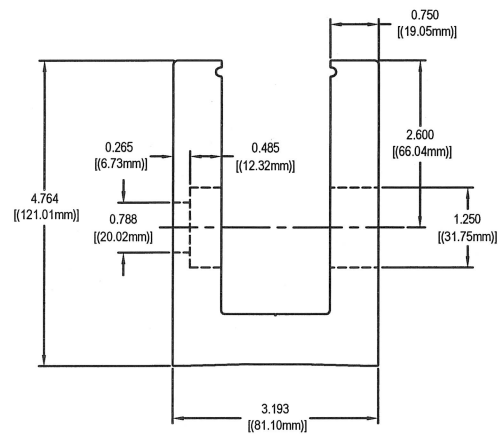
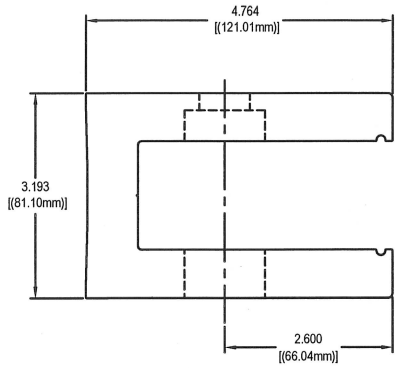


21.5 mm Laminated Glass Base Shoe with side mounting holes



UNLESS OTHERWISE SPECIFIED
DIMENSIONS ARE IN INCHES
TOLERANCE IS:

Frac ± 1/16
.XX ± .010
.XXX ± .005
ANGLES ± .5
RADIAL

REV.	DESCRIPTION	DATE	BY

THIS DRAWING AND THE DESIGN SHOWN THEREIN IS THE PROPERTY OF
C.R.LAURENCE CO., INC.
AND USE OR COPIES THEREOF CANNOT BE MADE
WITHOUT WRITTEN CONSENT.

CAL C.R. Laurence Co., Inc
2100 E. 38TH STREET VERNON, CA 90058
PHONE: (323) 588-1281 FAX: (323) 232-2523

DRAWN BY: CQ	SCALE: NTS	DATE: 12/16/08	PART NUMBER: L21S10F
PART: 21.5 mm Lami Glass fab base shoe			
PRODUCT: HRS			
NOTE: 6063-T52 Mill Finish			DRAWING NUMBER: L21S10F