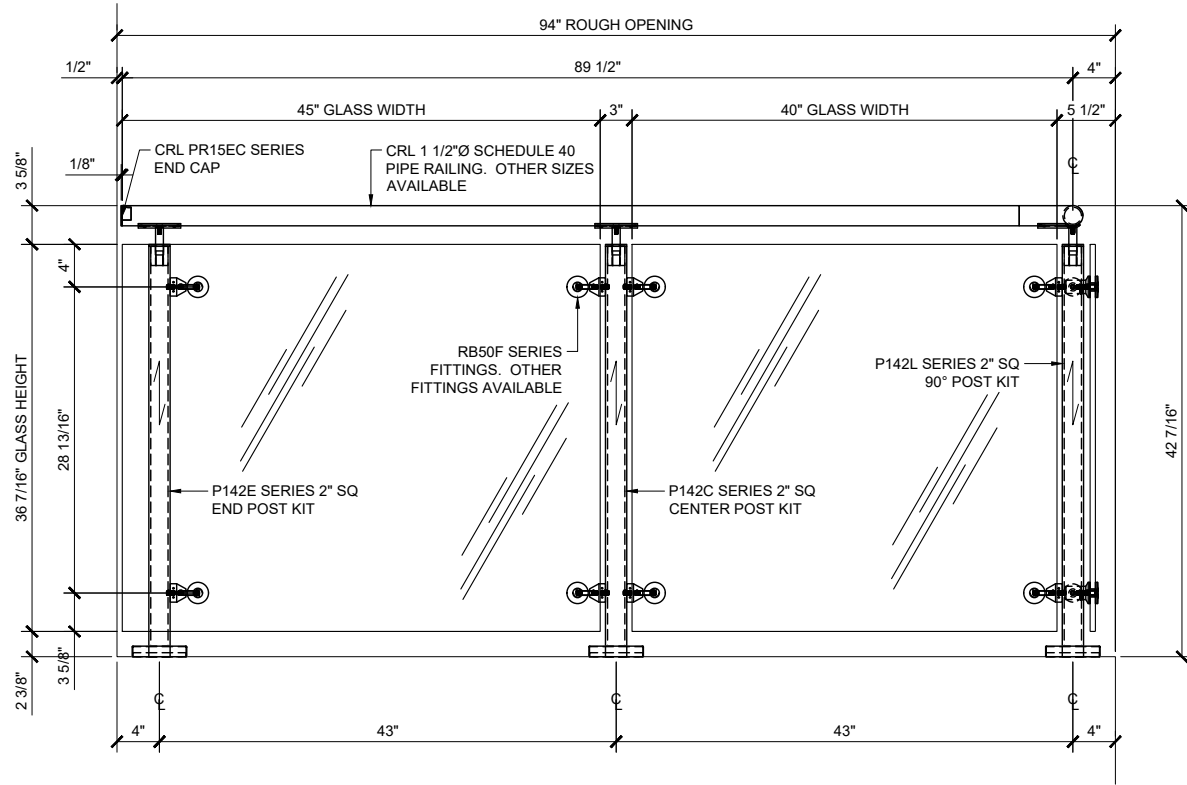
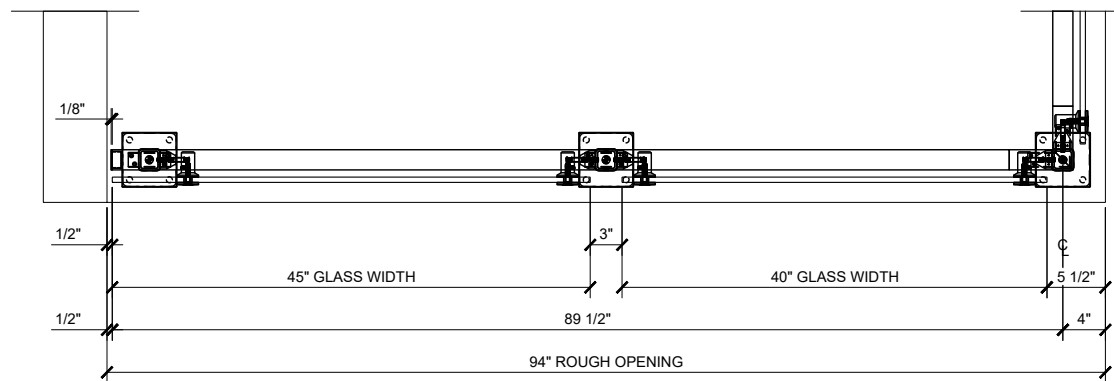


CRL P1 SERIES POST RAILING SYSTEM

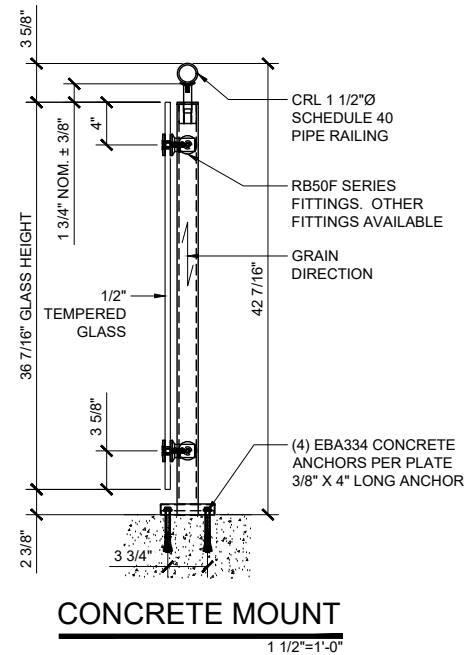
- * DESIGNED TO ACCEPT 1/2" TO 27/32" TEMPERED GLASS
- * TOP SADDLE SUPPORTS 1 1/4"Ø (1.66" O.D.) & 1 1/2"Ø (1.90" O.D.) SCHEDULE 40 PIPE RAILING AND 1 1/2"Ø O.D. TUBE RAILING
- * 36" AND 42" STANDARD POST HEIGHTS WITH CUSTOM HEIGHTS AVAILABLE
- * TWO STANDARD STAINLESS STEEL FINISHES BRUSHED OR POLISHED WITH CUSTOM POWDER PAINT FINISHES ALSO AVAILABLE
- *VERTICALLY ADJUSTABLE TOP SADDLE



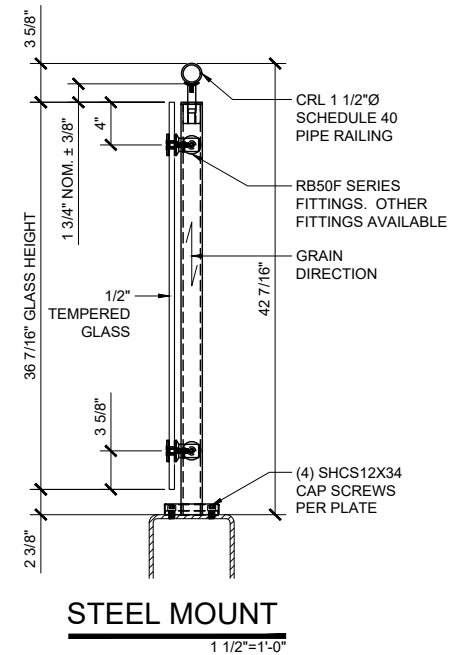
TYPICAL ELEVATION
1 1/2"=1'-0"



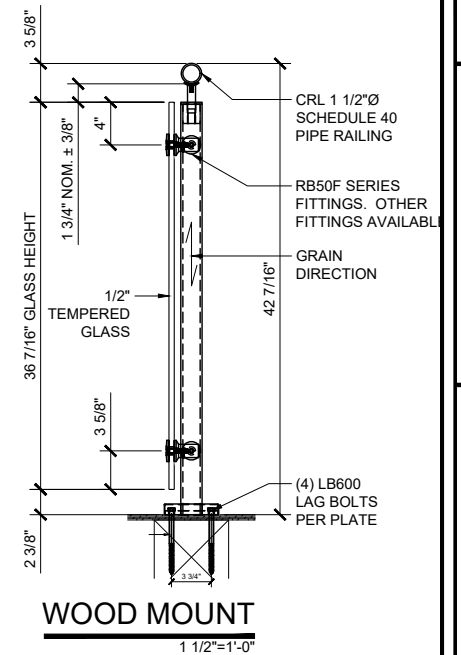
TYPICAL PLAN VIEW
1 1/2"=1'-0"



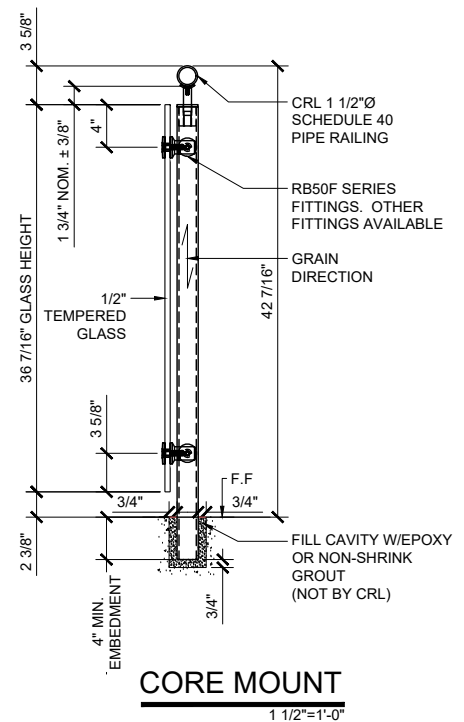
CONCRETE MOUNT
1 1/2"=1'-0"



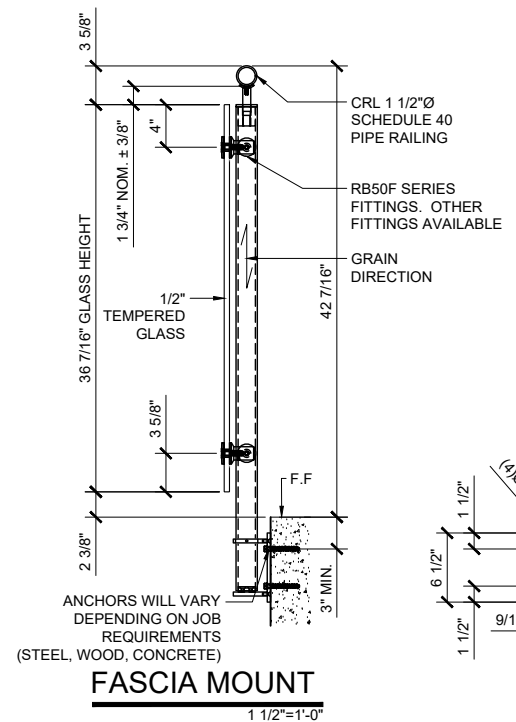
STEEL MOUNT
1 1/2"=1'-0"



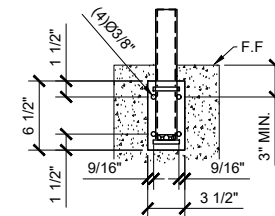
WOOD MOUNT
1 1/2"=1'-0"



CORE MOUNT
1 1/2"=1'-0"



FASCIA MOUNT
1 1/2"=1'-0"



Revisions By:

CRL

2903 E. Ventura Avenue, Los Angeles, CA 90058-1897
PH (800)-421-6144 FX 800-597-7501 www.crlusa.com

Description:
CRL P1 SERIES
POST RAILING SYSTEMS
SYS0071A

Drawn By: SDH
Date: 03/08/2017
Scale: AS NOTED
File Name:
SYS0071A.CRL P1-SERIES STAINLESS STEEL POST RAILING SYSTEM

Sheet

1.01

Revisions By:

CRL

2803 E. Ventura Avenue, Los Angeles, CA 90058-1897
 PH: (800)-421-6144 FAX: 800-597-7501 www.crlinc.com

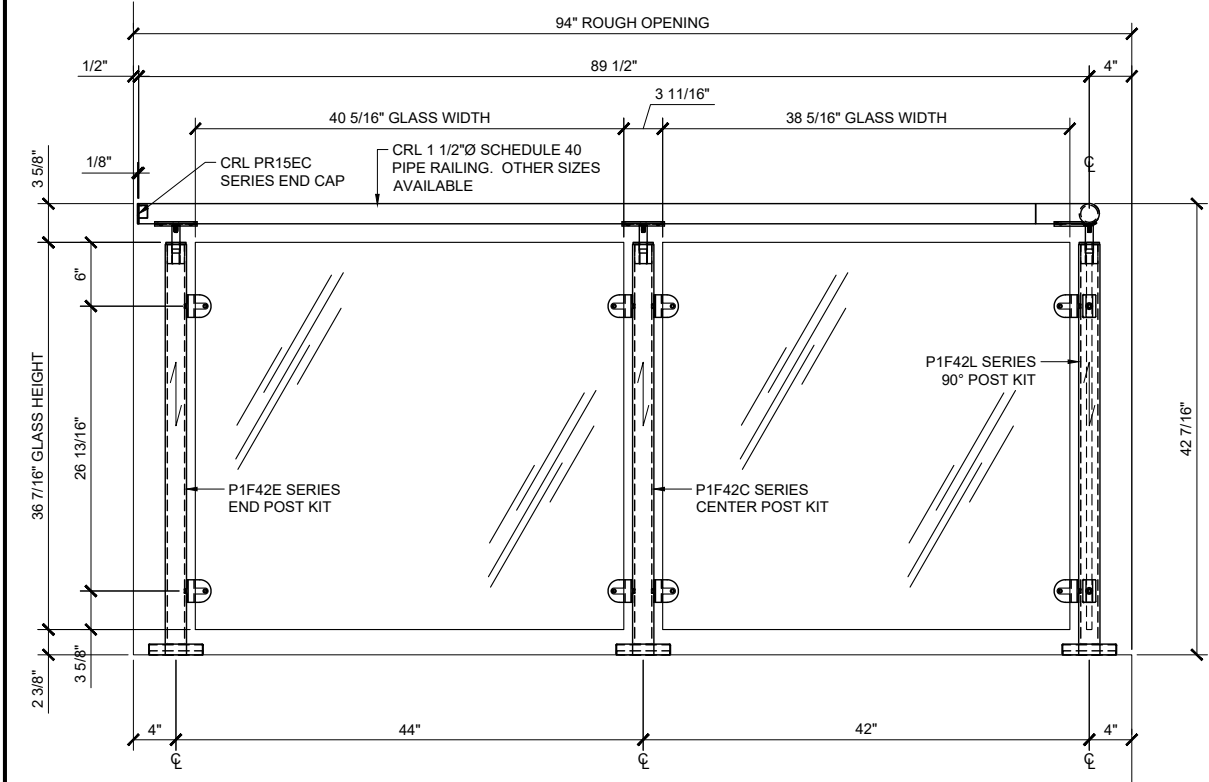
Description:
 CRL P1 SERIES
 POST RAILING SYSTEMS
 SYS0071A

Drawn By: SDH
 Date: 03/08/2017
 Scale: AS NOTED
 File Name:
 SYS0071A.CRL.P1-SERIES STAINLESS STEEL POST RAILING SYSTEM

Sheet
 1.02

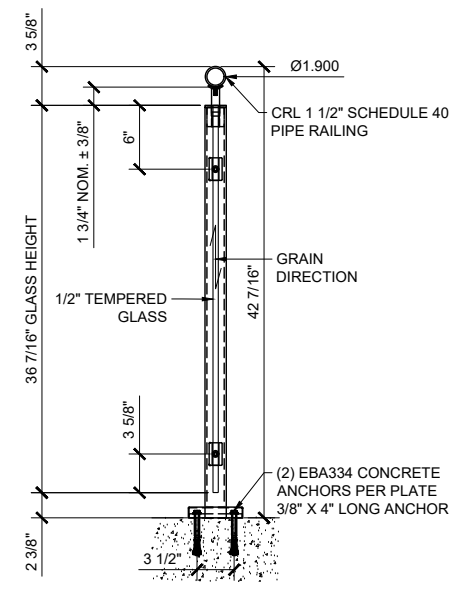
CRL Z-SERIES SQUARE POST RAILING SYSTEM

- * DESIGNED TO ACCEPT 1/2" TO 9/16" TEMPERED GLASS
- * TOP SADDLE SUPPORTS 1 1/4"Ø (1.66" O.D.) & 1 1/2"Ø (1.90" O.D.) SCHEDULE 40 PIPE RAILING AND 1 1/2"Ø O.D. TUBE RAILING
- * 36" AND 42" STANDARD POST HEIGHTS WITH CUSTOM HEIGHTS AVAILABLE
- * TWO STANDARD STAINLESS STEEL FINISHES BRUSHED OR POLISHED WITH CUSTOM POWDER PAINT FINISHES ALSO AVAILABLE
- * VERTICALLY ADJUSTABLE TOP SADDLE



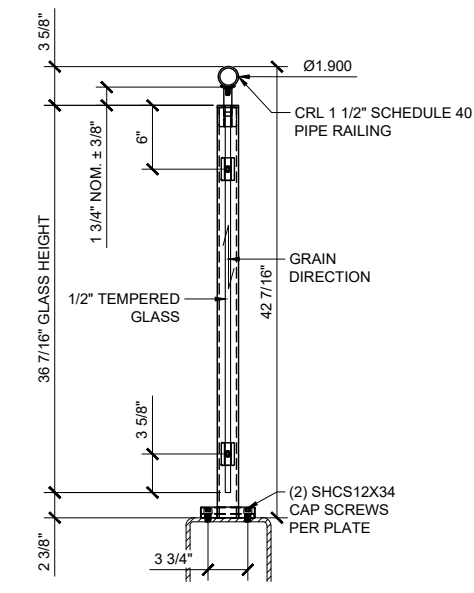
TYPICAL ELEVATION

SCALE: 1
 1/2"=1'-0"



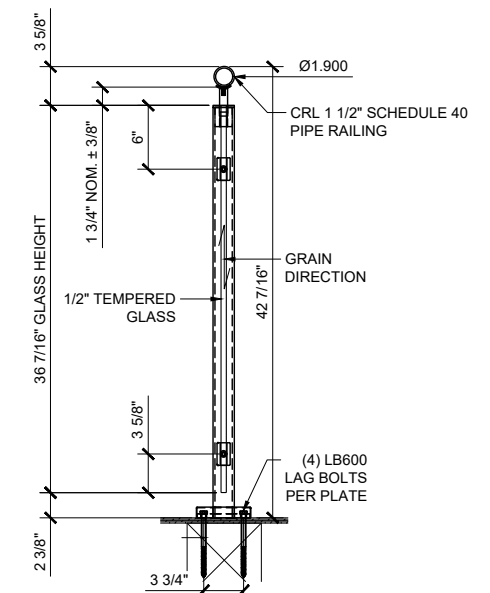
CONCRETE MOUNT

1 1/2"=1'-0"



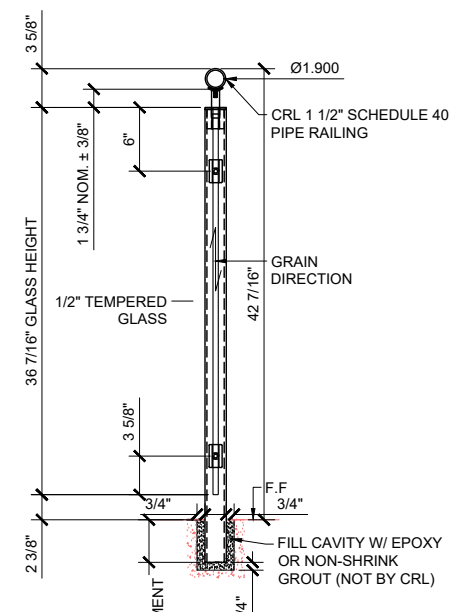
STEEL MOUNT

1 1/2"=1'-0"



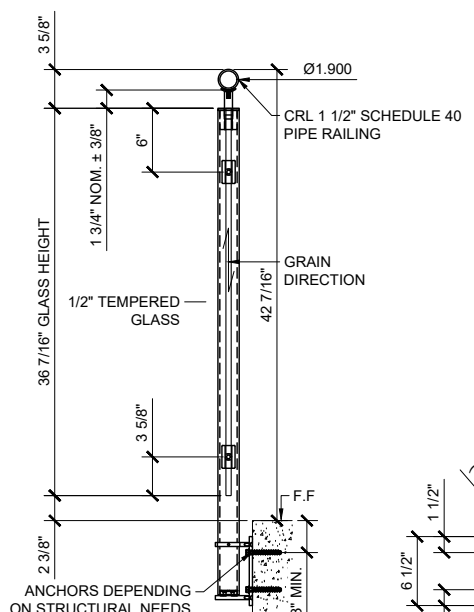
WOOD MOUNT

1 1/2"=1'-0"



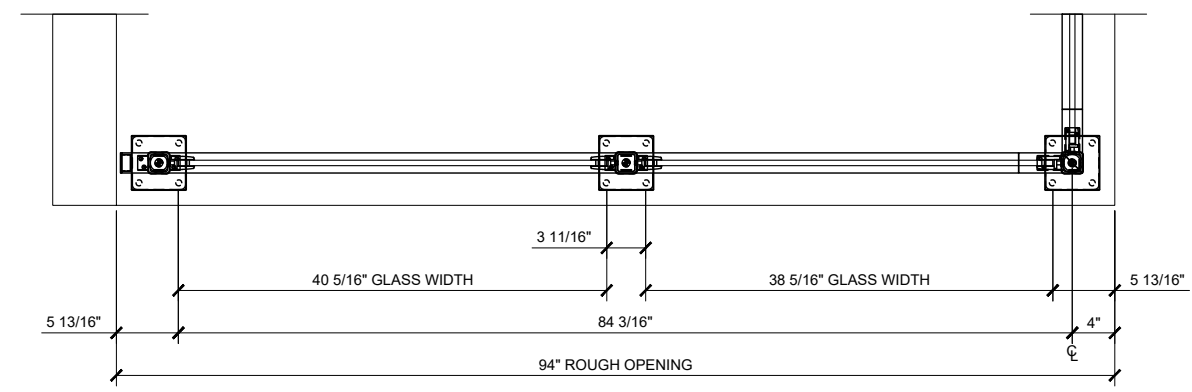
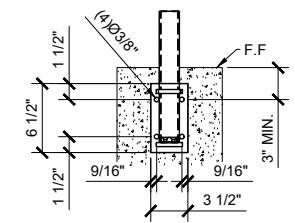
CORE MOUNT

1 1/2"=1'-0"



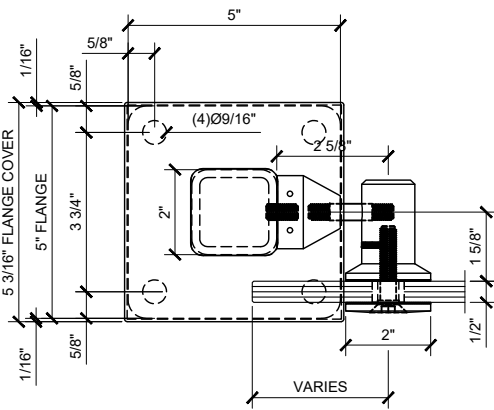
FASCIA MOUNT

1 1/2"=1'-0"

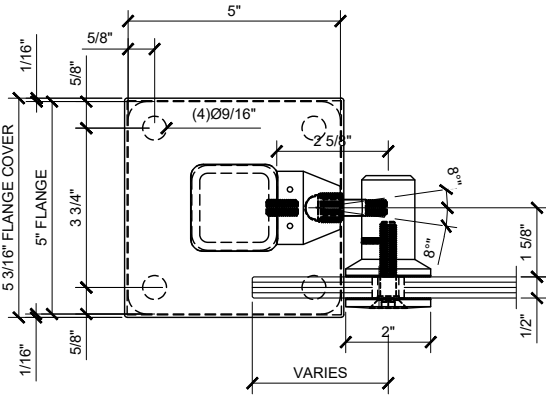


TYPICAL PLAN VIEW

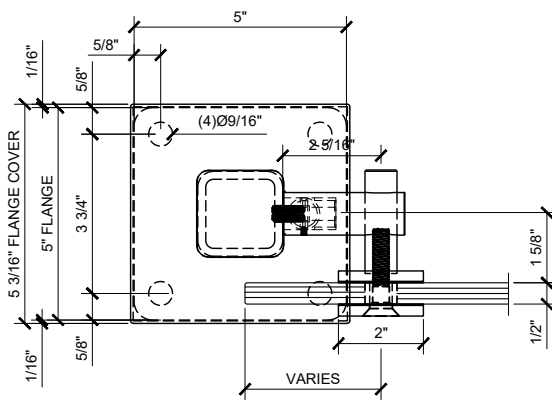
SCALE: 1
 1/2"=1'-0"



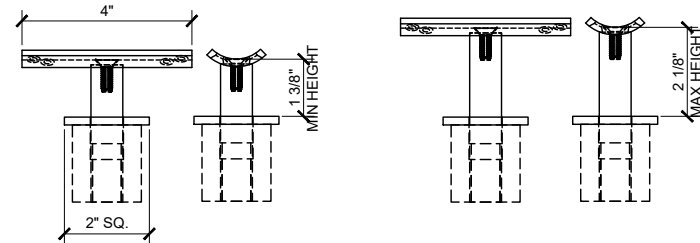
RB50F FIXED FITTING / FLANGE
SCALE: 6"=1'-0"



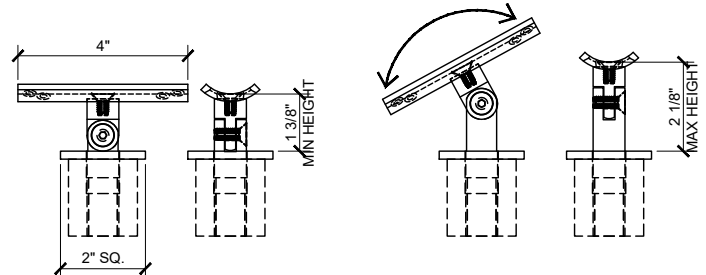
RB50F SWIVEL FITTING / FLANGE
SCALE: 6"=1'-0"



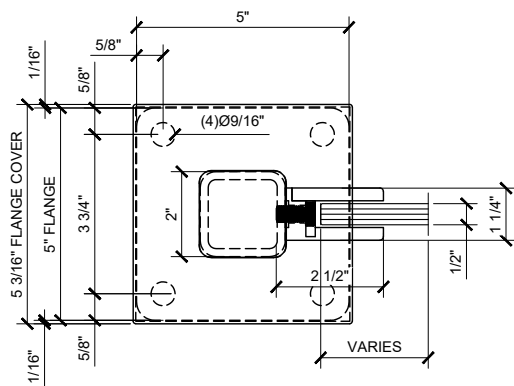
RB51F FIXED FITTING / FLANGE
SCALE: 6"=1'-0"



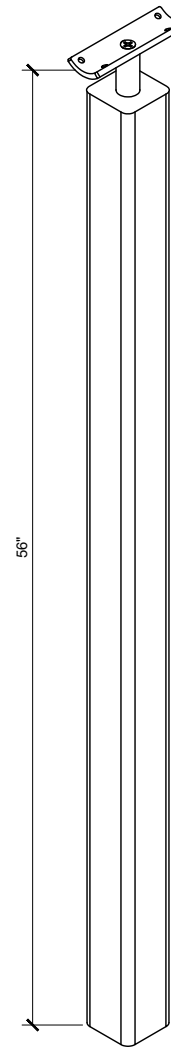
P1VF W/PRS1 SADDLE
STANDARD VERTICAL ADJ
STANDOFF SADDLE
6"=1'-0"



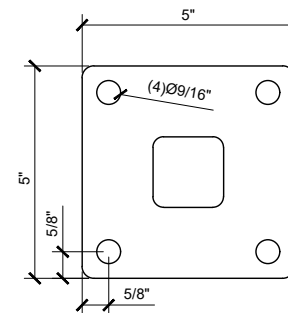
P1VS W/ PRS1 SADDLE
OPTIONAL VERTICAL / SWIVEL
STANDOFF SADDLE
6"=1'-0"



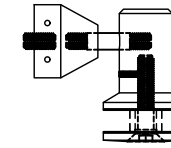
ZP912 CLAMP W/FLANGE
SCALE: 1'-0"=1'-0"



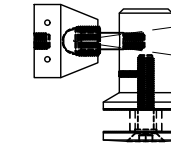
P1BPF FIXED SADDLE / P1BPS SWIVEL SADDLE BLANK POST
SCALE: 6"=1'-0"



P1BFS SURFACE MOUNT STANCHION
SCALE: 1'-0"=1'-0"



RB50F FIXED FITTING
SCALE: 6"=1'-0"



RB50S SWIVEL FITTING
SCALE: 6"=1'-0"



ZP912 ZCLAMP / ZBOLT38
SCALE: 6"=1'-0"

Revisions By:

CRL

2803 E. Ventura Avenue, Los Angeles, CA 90058-1897
PH: (800)-421-6144 FX: 800-597-7501 www.crlinc.com

Description:
CRL P1 SERIES
POST RAILING SYSTEMS
SYS0071A

Drawn By: SDH
Date: 03/08/2017
Scale: AS NOTED
File Name:
SYS0071A.CRL P1-SERIES STAINLESS STEEL POST RAILING SYSTEM

Sheet

2.01