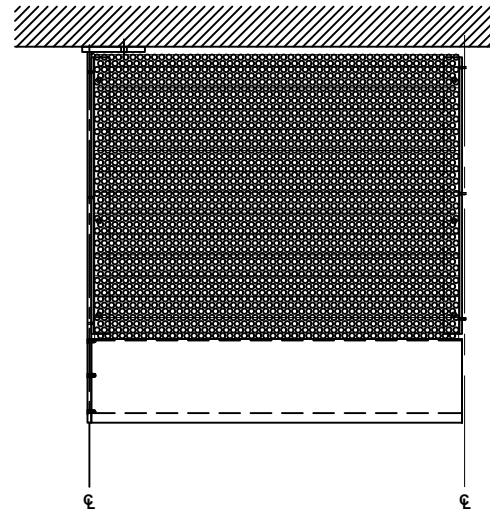
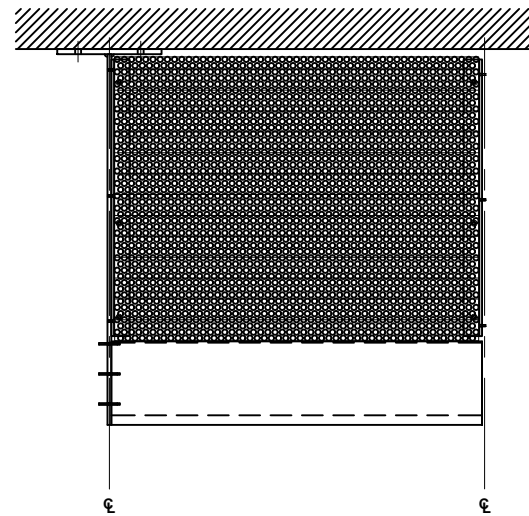


1 CORNER PANEL CATALOG NO. AW7750CNR

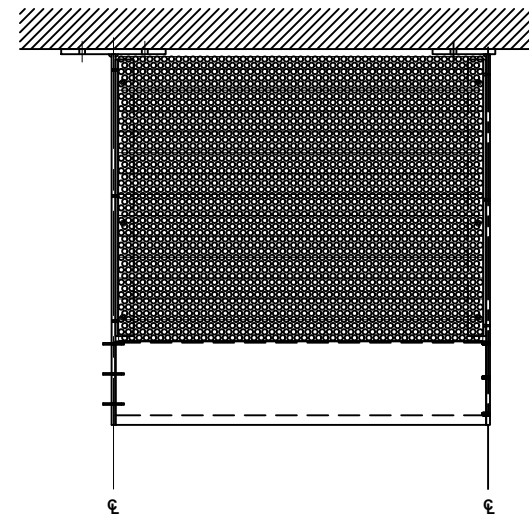


2 LEFT HAND PANEL CATALOG NO. AW7750L

STRUCTURAL D
 ALL CUSTOMERS WHO
 PRODUCT ARE SOLE
 A STRUCTURAL ENGI
 SUITABILITY OF THE I
 USE AND SITE CONDI
 BE QUALIFIED AND H
 KNOWLEDGE ABOUT C
 STATE AND FEDERAL
 FACTORS, AND THE /



3 CENTER PANEL CATALOG NO. AW7750C



4 RIGHT HAND END PANEL CATALOG NO. AW7750R

STRUCTURAL D
 ALL CUSTOMERS WHO
 PRODUCT ARE SOLE
 A STRUCTURAL ENGI
 SUITABILITY OF THE I
 USE AND SITE CONDI
 BE QUALIFIED AND H
 KNOWLEDGE ABOUT C
 STATE AND FEDERAL
 FACTORS, AND THE /

Revisions By:

CRL.

2503 E. Vernon Avenue, Los Angeles, CA 90058-1897
 PH: (800)-421-8144 FX: 800-587-7501 www.crlaurence.com

Description:

CRL 7750
 ALUMINUM SUNSHADE SYSTEM
 CATALOG NO. 7750

Drawn By: BC

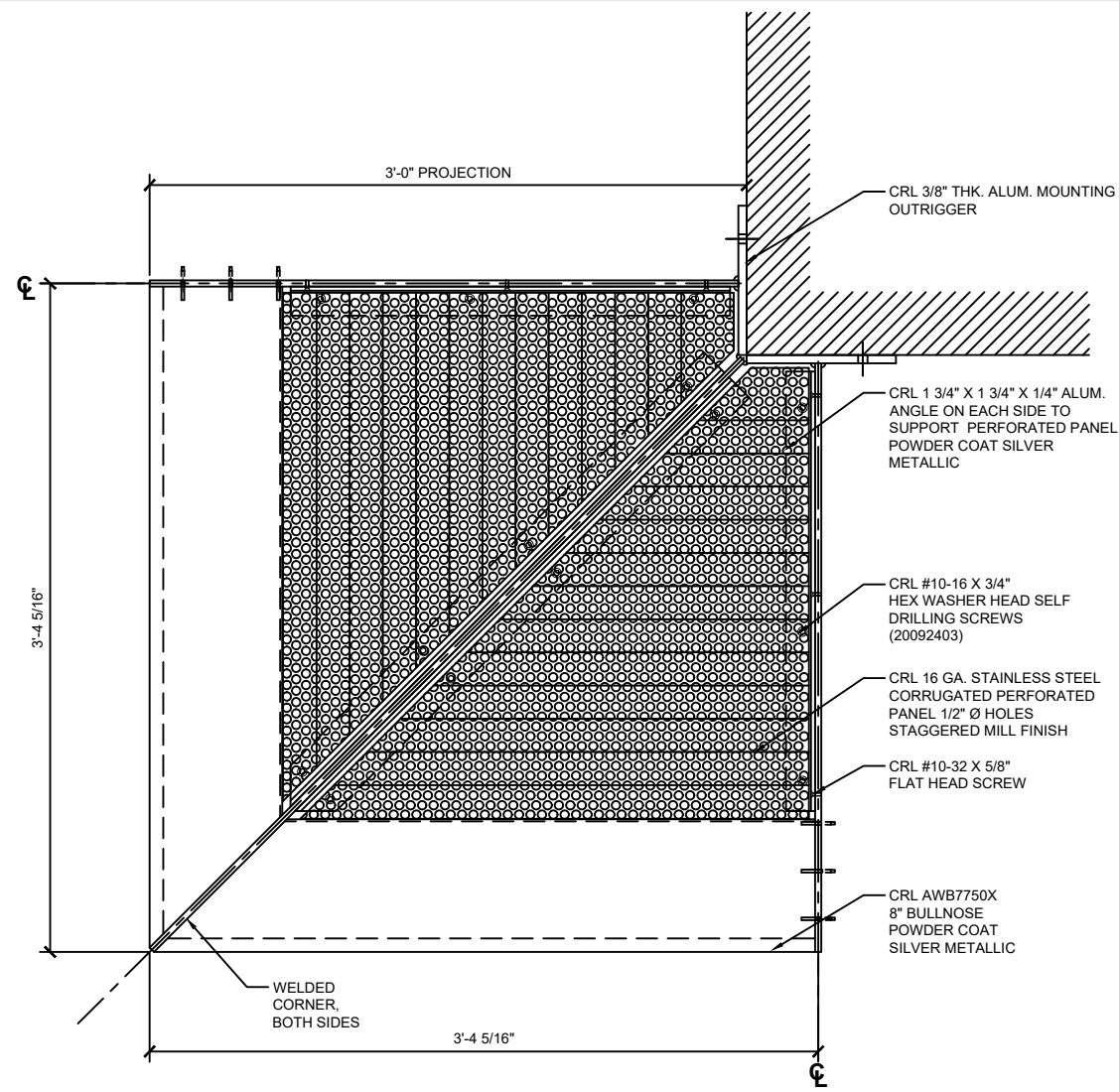
Date: 03/21/19

Scale: AS NOTED

File Name:

SYS0097B_7750_SERIES_SUNSHADE

Sheet



- CRL 3/8" THK. ALUM. MOUNTING OUTRIGGER
- CRL 1 3/4" X 1 3/4" X 1/4" ALUM. ANGLE ON EACH SIDE TO SUPPORT PERFORATED PANEL POWDER COAT SILVER METALLIC
- CRL #10-16 X 3/4" HEX WASHER HEAD SELF DRILLING SCREWS (20092403)
- CRL 16 GA. STAINLESS STEEL CORRUGATED PERFORATED PANEL 1/2" Ø HOLES STAGGERED MILL FINISH
- CRL #10-32 X 5/8" FLAT HEAD SCREW
- CRL AWB7750X 8" BULLNOSE POWDER COAT SILVER METALLIC

HAVE THIS INFO. READY TO ORDER:

AW7750CNR	
*FINISH/ COLOR :	
QTY :	

*PWDR. COAT SILVER METALLIC IS STANDARD UNLESS NOTED

1 CORNER PANEL CATALOG NO. AW7750CNR

STRUCTURAL DISCLAIMER:

ALL CUSTOMERS WHO IN ANY WAY UTILIZE THIS PRODUCT ARE SOLELY RESPONSIBLE TO CONSULT A STRUCTURAL ENGINEER TO DETERMINE THE SUITABILITY OF THE PRODUCT FOR THE INTENDED USE AND SITE CONDITIONS. ALL INSTALLERS MUST BE QUALIFIED AND HAVE PROFESSIONAL KNOWLEDGE ABOUT COMPLIANCE WITH LOCAL, STATE AND FEDERAL REGULATIONS, SAFETY FACTORS, AND THE APPROPRIATE CHOICE OF FIXING MATERIAL AND PROCEDURES.

Revisions By:

CRL.

2503 E. Vernon Avenue, Los Angeles, CA 90058-1897
 PH: (800)-421-8144 FX: 800-587-7501 www.crlaurence.com

Description:

CRL 7750
 ALUMINUM SUNSHADE SYSTEM
 CATALOG NO. 7750

Drawn By: BC

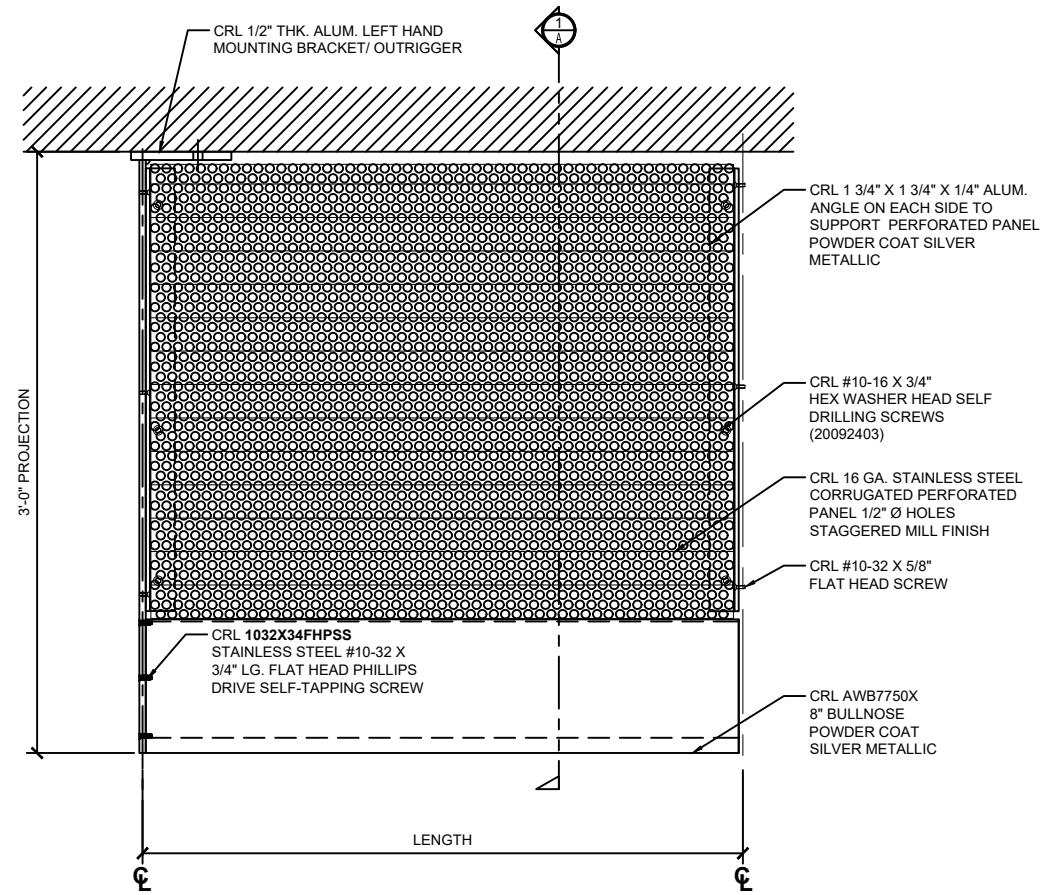
Date: 03/21/19

Scale: AS NOTED

File Name:

SYS0097B_7750_SERIES_SUNSHADE

Sheet



CAT. NO.	LENGTH
AW7750L12	12"
AW7750L24	24"
AW7750L36	36"
AW7750L48	48"

HAVE THIS INFO. READY TO ORDER:

AW7750L__	
LENGTH:	
*FINISH/ COLOR :	
QTY :	

*PWDR. COAT SILVER METALLIC IS STANDARD UNLESS NOTED

2 LEFT HAND PANEL CATALOG NO. AW7750L

STRUCTURAL DISCLAIMER:

ALL CUSTOMERS WHO IN ANY WAY UTILIZE THIS PRODUCT ARE SOLELY RESPONSIBLE TO CONSULT A STRUCTURAL ENGINEER TO DETERMINE THE SUITABILITY OF THE PRODUCT FOR THE INTENDED USE AND SITE CONDITIONS. ALL INSTALLERS MUST BE QUALIFIED AND HAVE PROFESSIONAL KNOWLEDGE ABOUT COMPLIANCE WITH LOCAL, STATE AND FEDERAL REGULATIONS, SAFETY FACTORS, AND THE APPROPRIATE CHOICE OF FIXING MATERIAL AND PROCEDURES.

Revisions By:

CRL.

2503 E. Vernon Avenue, Los Angeles, CA 90058-1897
 PH: (800)-421-8144 FX: 800-587-7501 www.crlaurence.com

Description:

CRL 7750
 ALUMINUM SUNSHADE SYSTEM
 CATALOG NO. 7750

Drawn By:BC

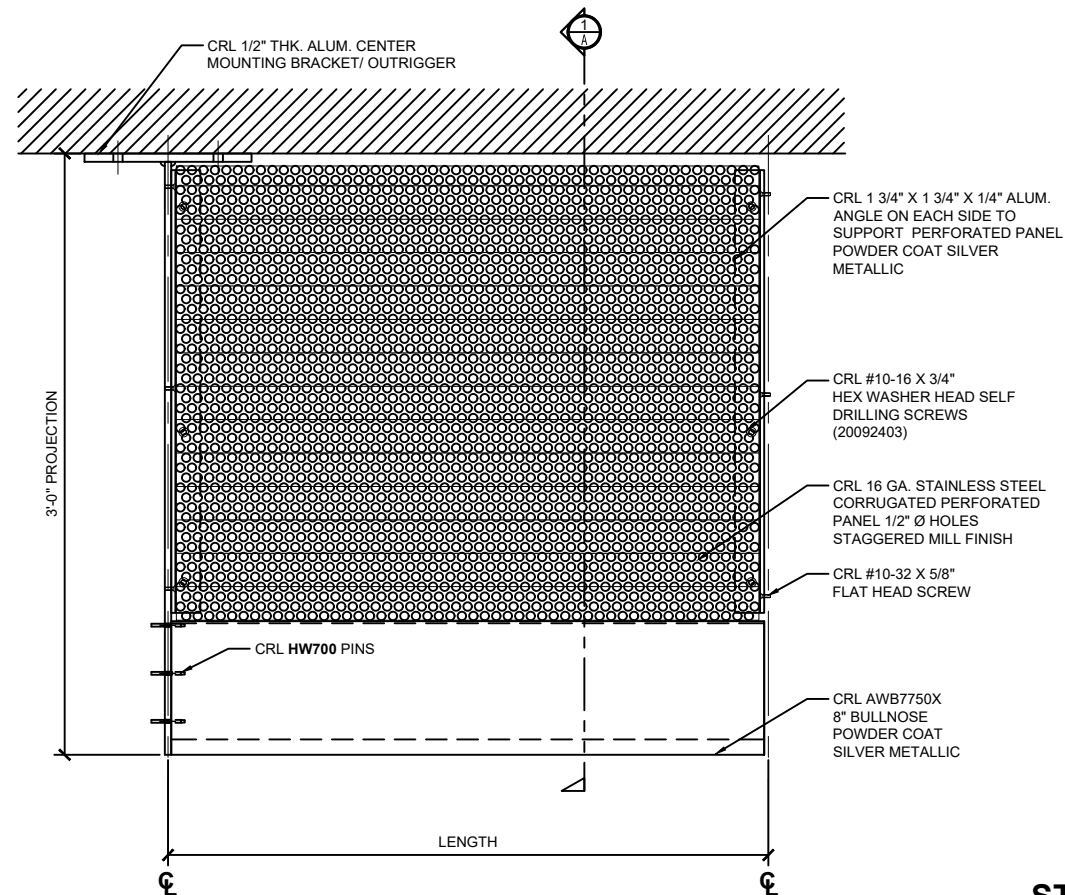
Date: 03/21/19

Scale: AS NOTED

File Name:

SYS0097B_7750_SERIES_SUNSHADE

Sheet



CAT. NO.	LENGTH
AW7750C12	12"
AW7750C24	24"
AW7750C36	36"
AW7750C48	48"

HAVE THIS INFO. READY TO ORDER:

AW7750C__	
LENGTH:	
*FINISH/ COLOR :	
QTY :	

*PWDR. COAT SILVER METALLIC IS STANDARD UNLESS NOTED

3 CENTER PANEL CATALOG NO. AW7750C

STRUCTURAL DISCLAIMER:

ALL CUSTOMERS WHO IN ANY WAY UTILIZE THIS PRODUCT ARE SOLELY RESPONSIBLE TO CONSULT A STRUCTURAL ENGINEER TO DETERMINE THE SUITABILITY OF THE PRODUCT FOR THE INTENDED USE AND SITE CONDITIONS. ALL INSTALLERS MUST BE QUALIFIED AND HAVE PROFESSIONAL KNOWLEDGE ABOUT COMPLIANCE WITH LOCAL, STATE AND FEDERAL REGULATIONS, SAFETY FACTORS, AND THE APPROPRIATE CHOICE OF FIXING MATERIAL AND PROCEDURES.

Revisions By:

CRL.

2503 E. Vernon Avenue, Los Angeles, CA 90058-1897
 PH: (800)-421-8144 FX: 800-587-7501 www.crlaurence.com

Description:

CRL 7750
 ALUMINUM SUNSHADE SYSTEM
 CATALOG NO. 7750

Drawn By:BC

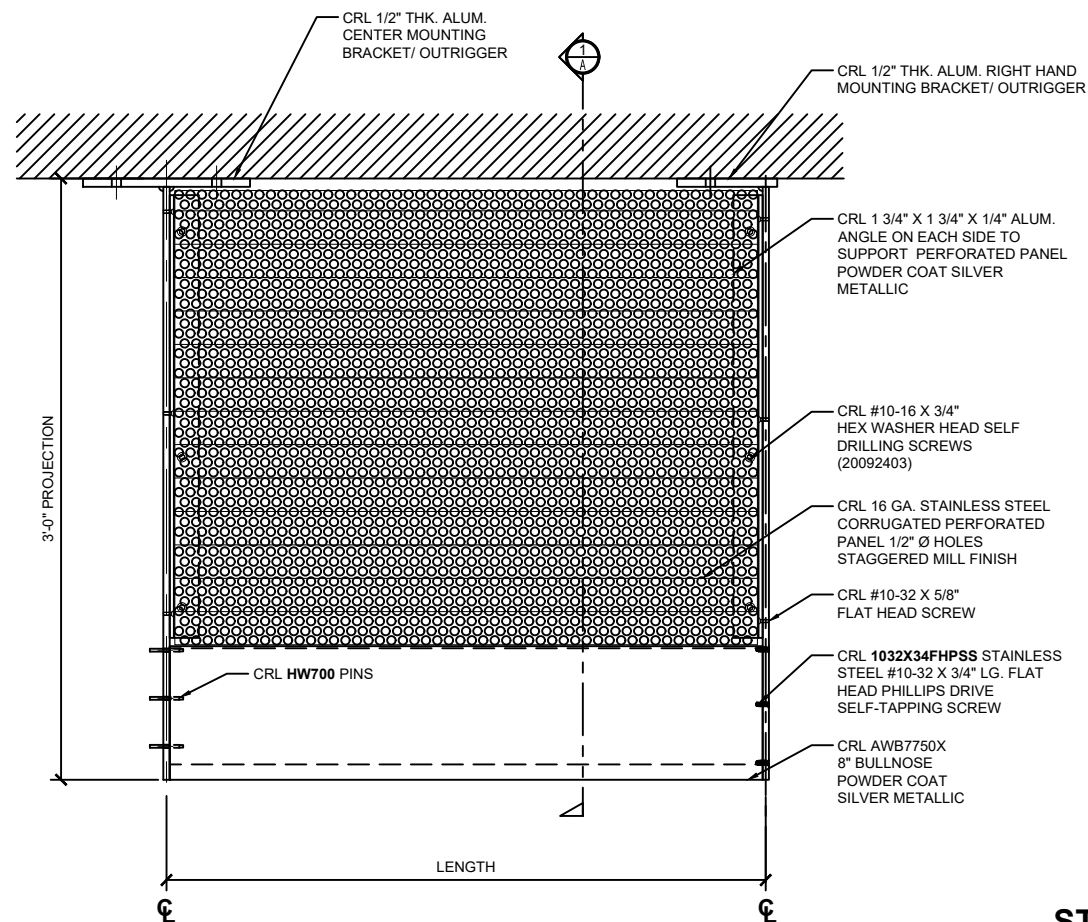
Date: 03/21/19

Scale: AS NOTED

File Name:

SYS0097B_7750_SERIES_SUNSHADE

Sheet



CAT. NO.	LENGTH
AW7750R12	12"
AW7750R24	24"
AW7750R36	36"
AW7750R48	48"

HAVE THIS INFO. READY TO ORDER:

AW7750R__	
LENGTH:	
*FINISH/ COLOR :	
QTY :	

*PWDR. COAT SILVER METALLIC IS STANDARD UNLESS NOTED

4 RIGHT HAND END PANEL CATALOG NO. AW7750R

STRUCTURAL DISCLAIMER:
 ALL CUSTOMERS WHO IN ANY WAY UTILIZE THIS PRODUCT ARE SOLELY RESPONSIBLE TO CONSULT A STRUCTURAL ENGINEER TO DETERMINE THE SUITABILITY OF THE PRODUCT FOR THE INTENDED USE AND SITE CONDITIONS. ALL INSTALLERS MUST BE QUALIFIED AND HAVE PROFESSIONAL KNOWLEDGE ABOUT COMPLIANCE WITH LOCAL, STATE AND FEDERAL REGULATIONS, SAFETY FACTORS, AND THE APPROPRIATE CHOICE OF FIXING MATERIAL AND PROCEDURES.

Revisions By:

CRL.

2503 E. Vernon Avenue, Los Angeles, CA 90058-1897
 PH: (800)-421-8144 FX: 800-587-7501 www.crlaurence.com

Description:

CRL 7750
 ALUMINUM SUNSHADE SYSTEM
 CATALOG NO. 7750

Drawn By:BC

Date: 03/21/19

Scale: AS NOTED

File Name:

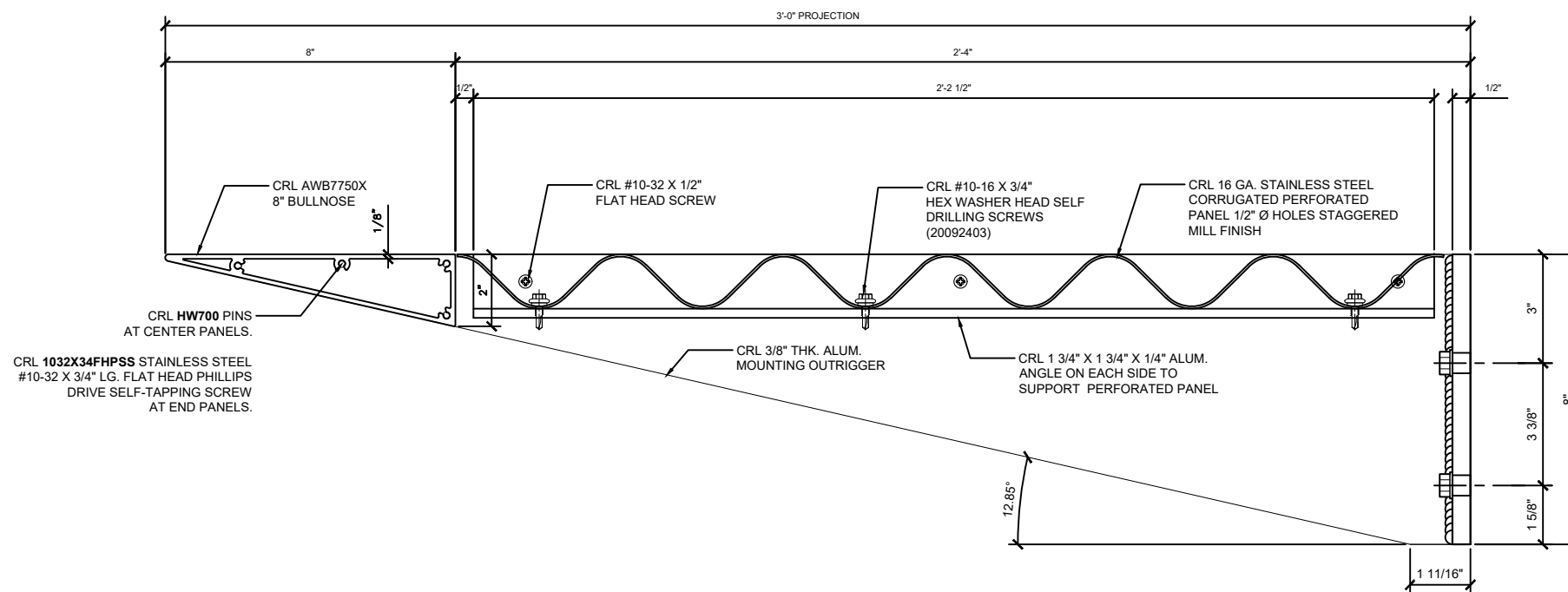
SYS0097B_7750_SERIES_SUNSHADE

Sheet

Revisions By:

CRL.

2503 E. Vernon Avenue, Los Angeles, CA 90058-1897
PH: (800)-421-8144 FX: 800-587-7501 www.crlaurence.com



A 7750 SECTION SCALE 1:2

Description:

CRL 7750
ALUMINUM SUNSHADE SYSTEM
CATALOG NO. 7750

Drawn By: BC

Date: 03/21/19

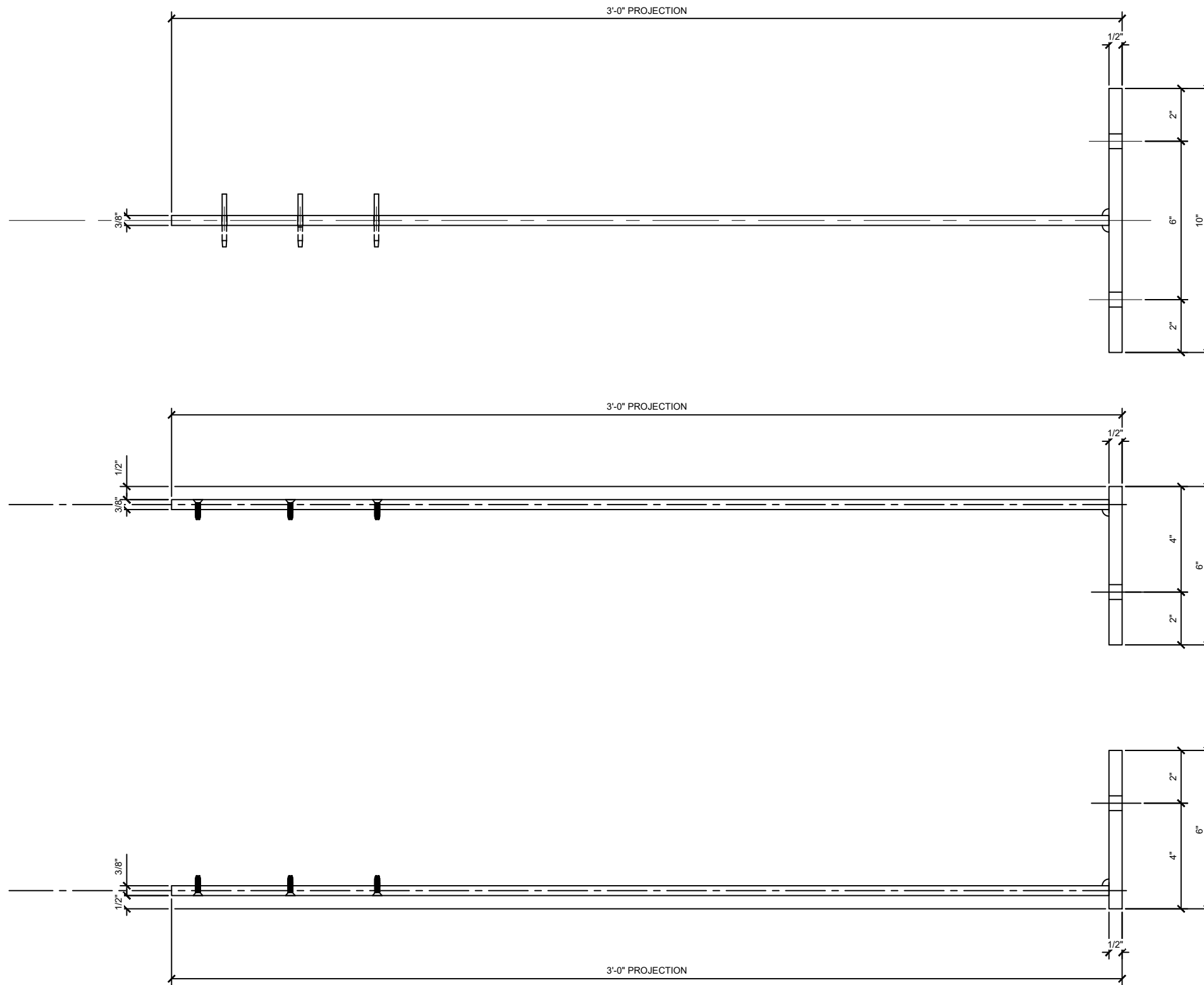
Scale: AS NOTED

File Name:

SYS0097B_7750_SERIES_SUNSHADE

Sheet

A



(B) END AND CENTER OUTRIGGER BRACKETS
SCALE 1:2

Revisions By:

CRL.

2503 E. Vernon Avenue, Los Angeles, CA 90058-1897
PH: (800)-421-8144 FX: 800-587-7501 www.crlaurence.com

Description:

CRL 7750
ALUMINUM SUNSHADE SYSTEM
CATALOG NO. 7750

Drawn By: BC

Date: 03/21/19

Scale: AS NOTED

File Name:

SYS0097B_7750_SERIES_SUNSHADE

Sheet

B