

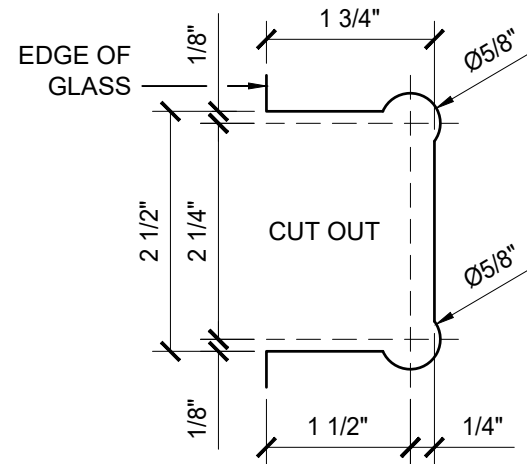
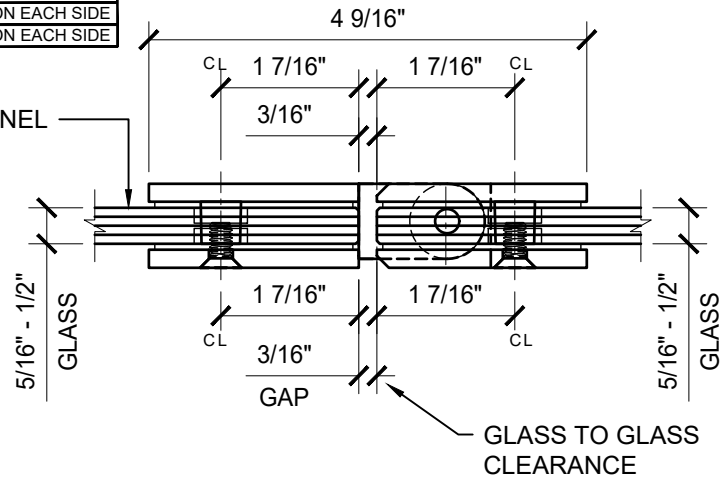
USE OF GASKETS

FOR 5/16" (8mm) GLASS: USE ONE THICK GASKET ON EACH SIDE

FOR 3/8" (10mm) GLASS: USE ONE THICK GASKET ON EACH SIDE

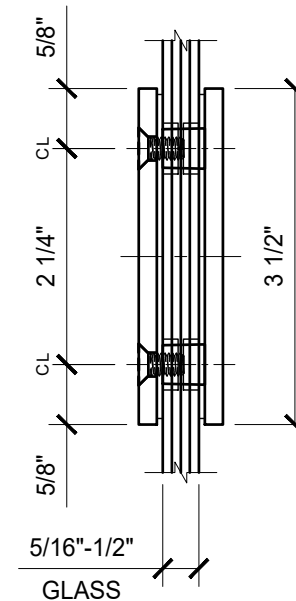
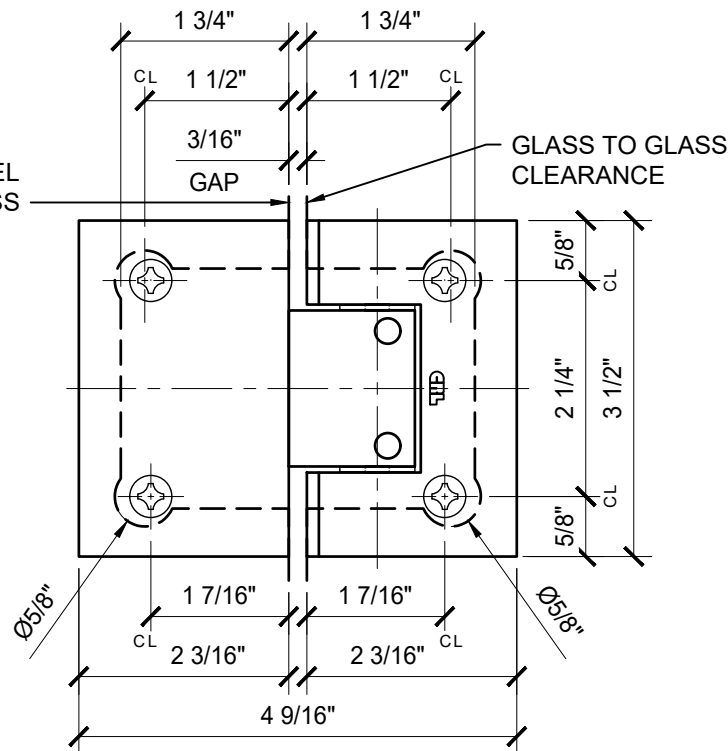
FOR 1/2" (12mm) GLASS: USE ONE THIN GASKET ON EACH SIDE

FIXED GLASS PANEL



GLASS FABRICATION TEMPLATE

FIXED PANEL  
EDGE OF GLASS



CATALOG NUMBER	FINISH
GEN380CH	CHROME
GEN380BR	BRASS
GEN3800RB	OIL RUBBED BRONZE
GEN380ABR	ANTIQUÉ BRASS
GEN380BN	BRUSHED NICKEL
GEN380GP	GOLD PLATED
GEN380PN	POLISHED NICKEL
GEN380SB	SATIN BRASS
GEN380SC	SATIN CHROME
GEN380WC	WHITE W/ CHROME ACCENTS

GEN380XX - CRL GENEVA 380 SERIES ADJ. 180 DEGREE GLASS TO GLASS HINGE

DATE: 6/28/17  
SCALE: 6"=1'-0"  
DRAWN BY: VM

DESCRIPTION: CRL GEN380  
GENEVA 380 SERIES ADJUSTABLE 180 DEGREE  
GLASS TO GLASS HINGE

C.R.LAURENCE CO. ARCHITECTURAL PRODUCTS  
2503 E. Vernon Avenue, Los Angeles, C.A 90058-1897  
PH (800)-421-6144 FX: 800-587-7501 www.crlaurence.com

