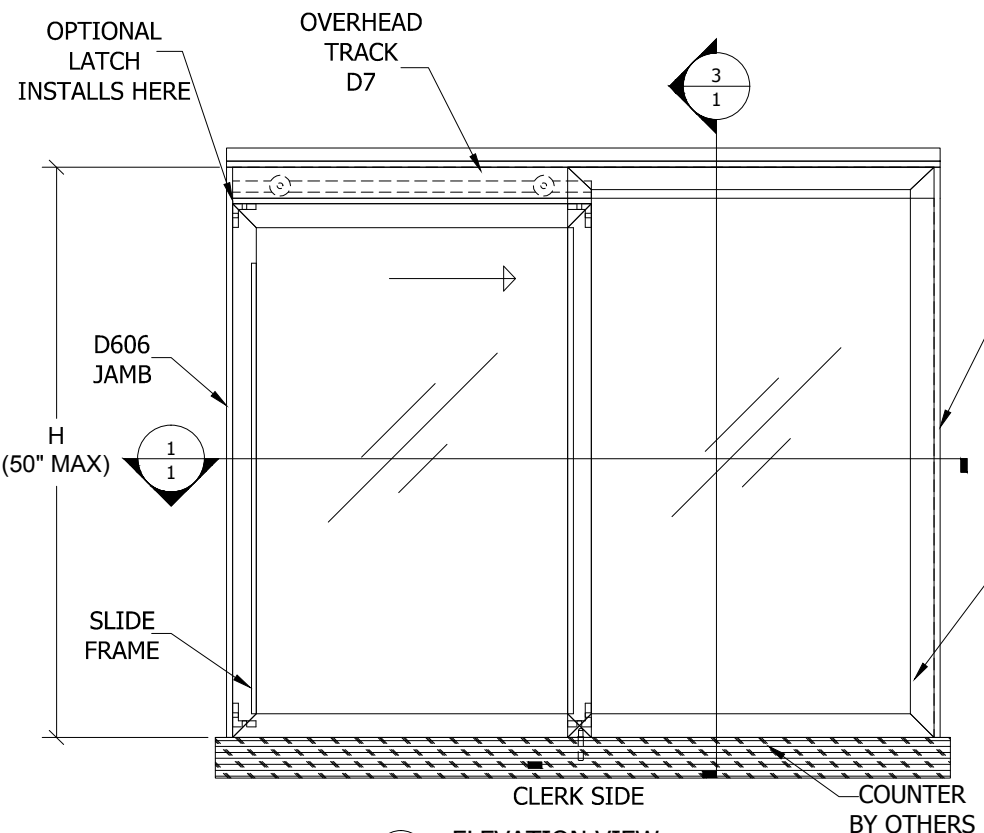
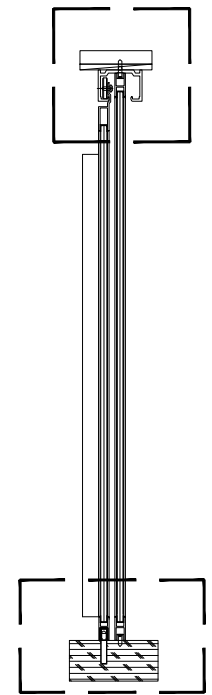


REV	DESCRIPTION	DATE	BY

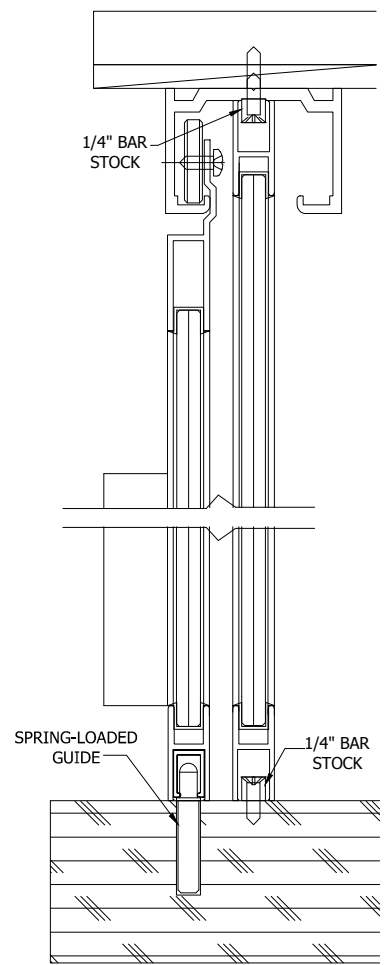


2 ELEVATION VIEW REF: Scale: NTS

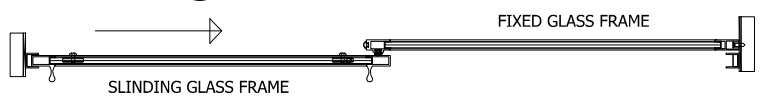


3 SECTION VIEW Scale: NTS.

D1670 TOP TRACK USED TO MATCH PROFILE OF STOREFRONT EXTRUSION



4 SECTION VIEW Scale: NTS.



1 PLAN VIEW REF: Scale: NTS.

CAT. NO.	FINISH	OVERHEAD	SCREEN
D1018A	SATIN ANODIZED	D7	YES
D1018DU	DURANODIC BRONZE	D7	YES
D1019A	SATIN ANODIZED	D1670	YES
D1019DU	DURANODIC BRONZE	D1670	YES
D1038A	SATIN ANODIZED	D7	NO
D1038DU	DURANODIC BRONZE	D7	NO
D1039A	SATIN ANODIZED	D1670	NO
D1039DU	DURANODIC BRONZE	D1670	NO

ALWAYS USE DIMENSIONS SHOWN ON THE PLAN. DO NOT SCALE OR DIMENSION ACTUAL DRAWING TO ENSURE ACCURACY



ARCHITECTURAL PRODUCTS
PH: 800-421-6144 FX: 800-262-3299
WWW.CRLAURENCE.COM

DESCRIPTION: FLORENCE MODEL PASS-THRU
MODELS D1038 & D1039 INTERIOR USE ONLY

CAT. NO: D1038 / D1039
FILE NAME: D1038 D1039
DRAWN BY: J.V.
DATE: 3-22-13
SCALE: AS SHOWN
CHECKED BY: R.D.
SHT 1 OF 1