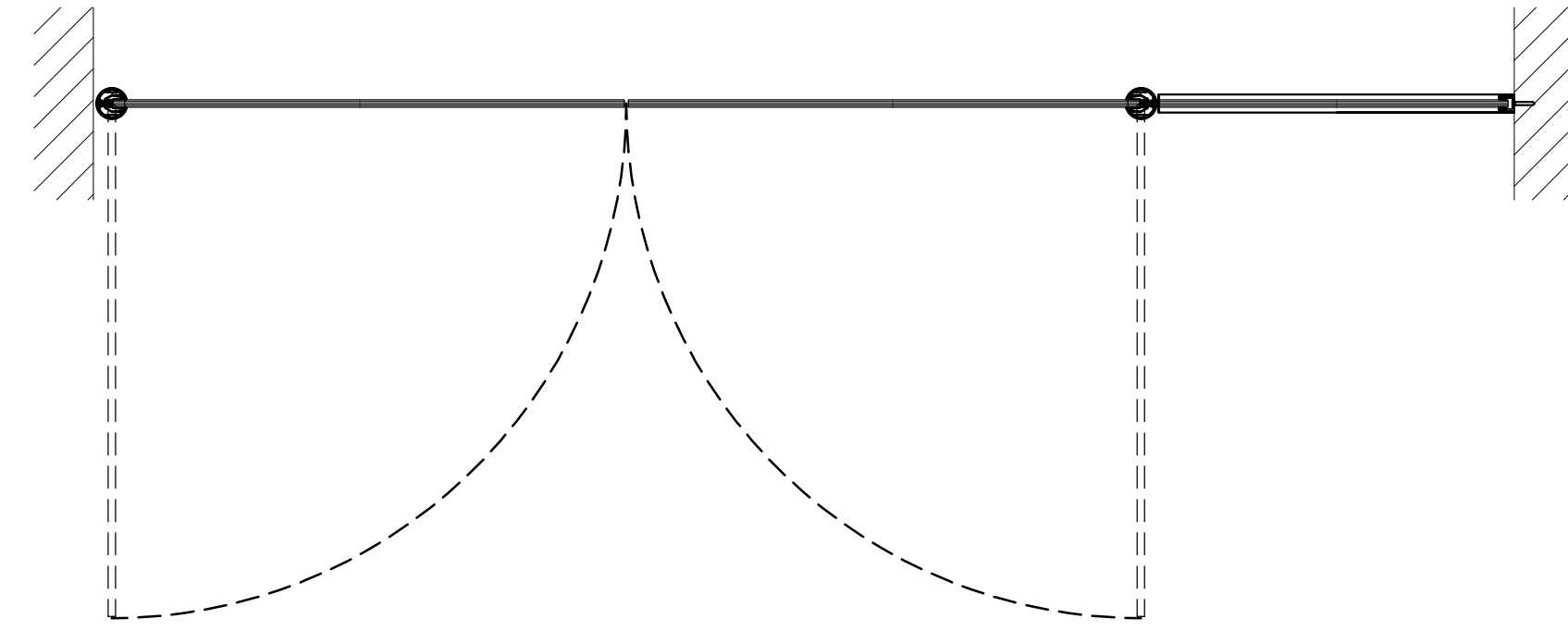
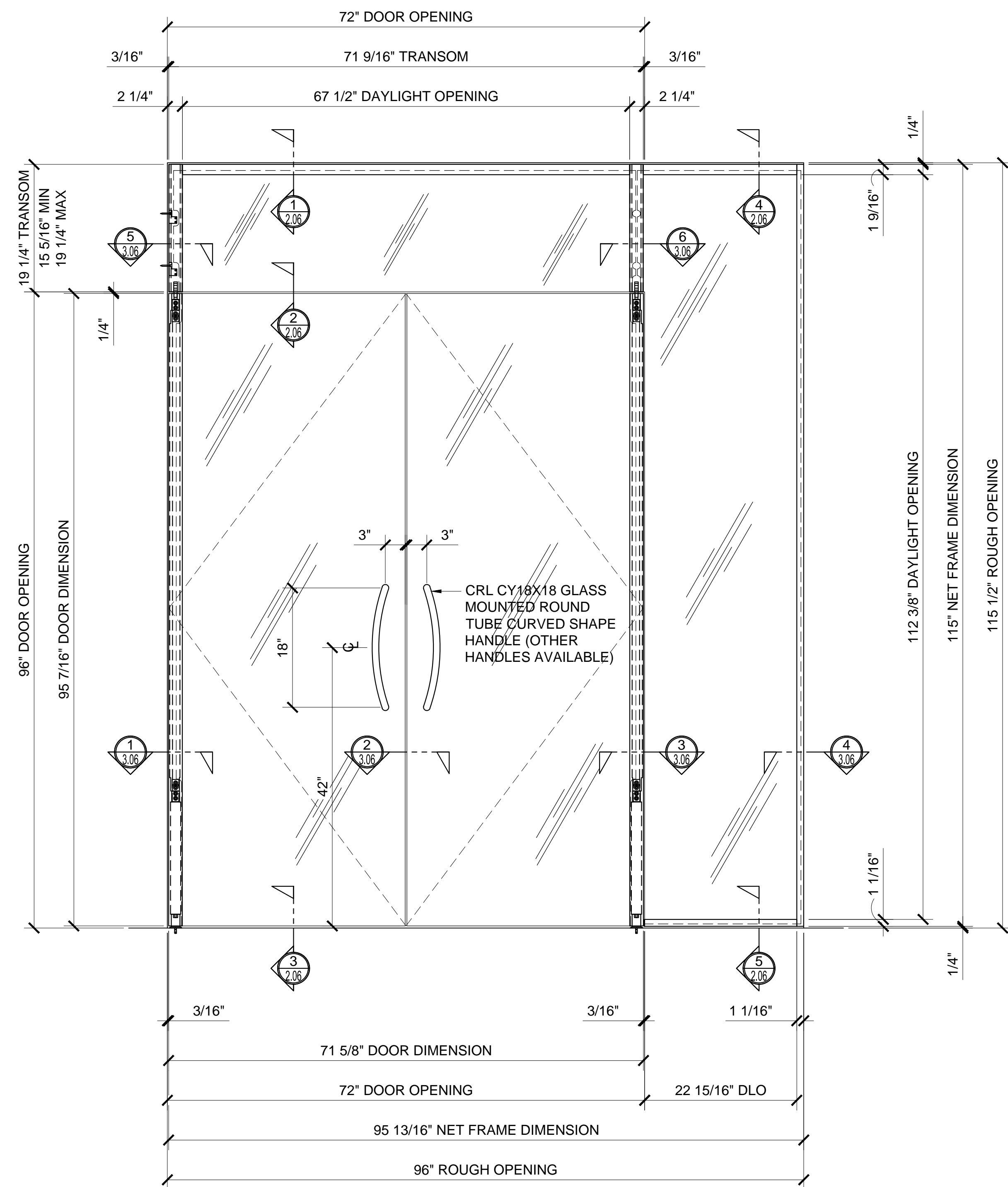




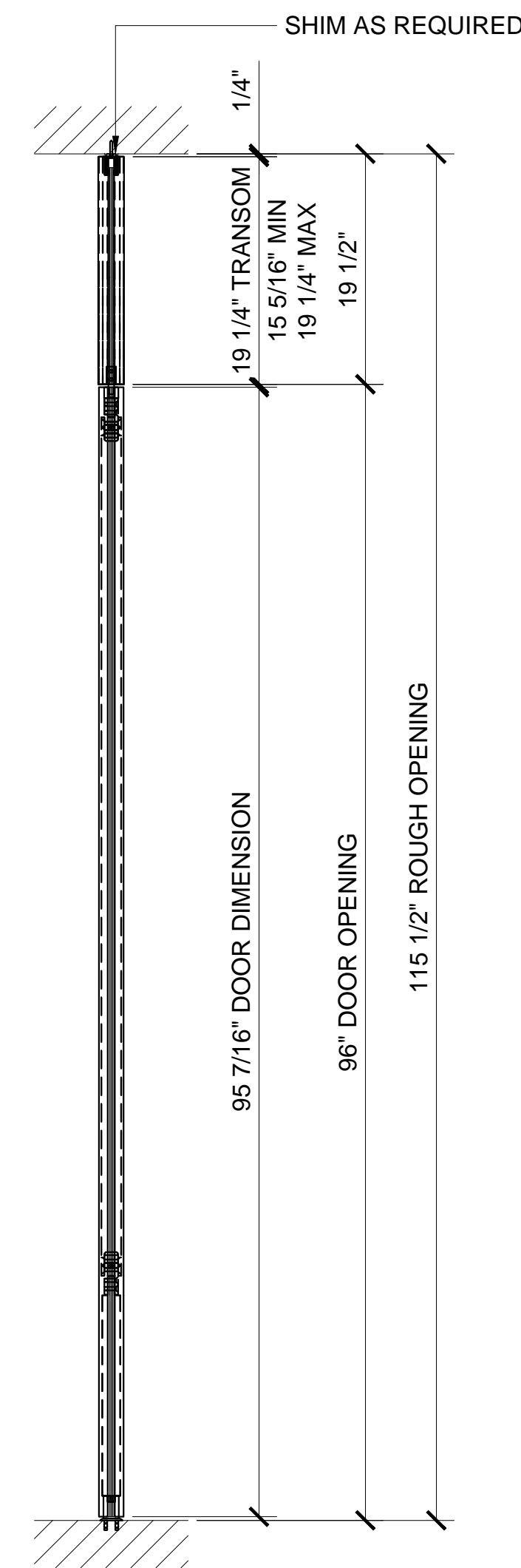
1202 SERIES SWINGING DOUBLE GLASS DOOR - W/ SMALL TRANSOM & W/ SIDELITE
 15 5/16" MIN TO 19 1/4" MAX HEIGHT



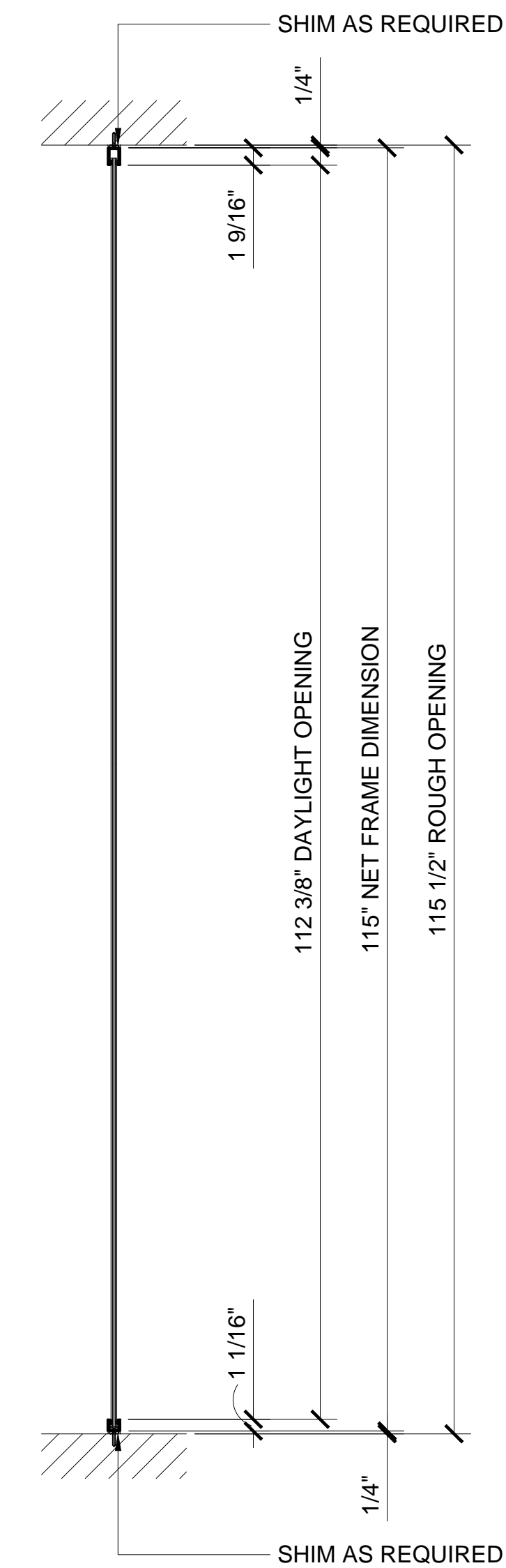
① PLAN
 ARCH REF: 1"=1'-0"



② ELEVATION
 ARCH REF: 1"=1'-0"



③ DOOR SECTION
 ARCH REF: 1"=1'-0"



④ SIDELITE SECTION
 ARCH REF: 1"=1'-0"

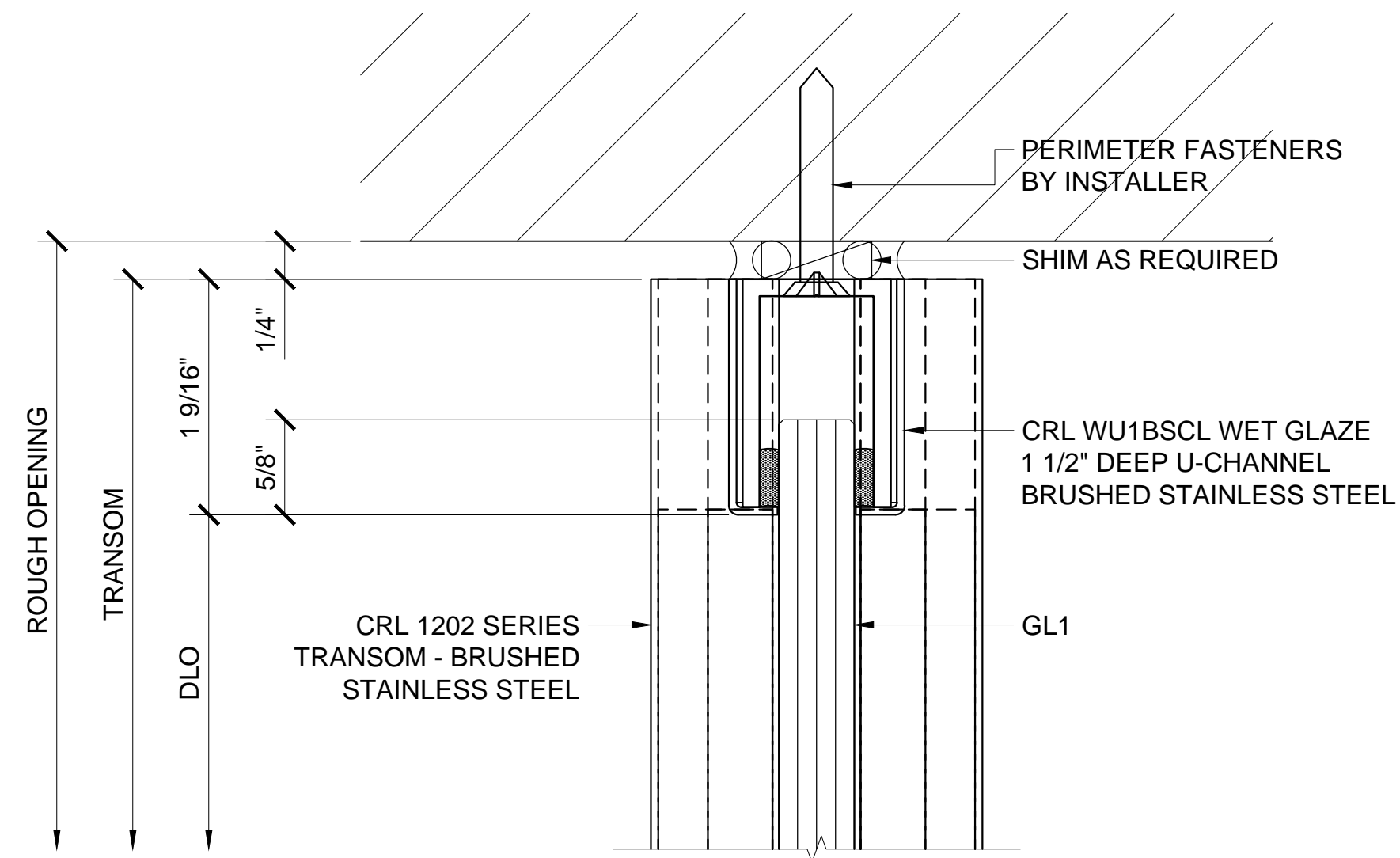
Revisions By:



Description:
 1202 SERIES SWINGING
 DOUBLE GLASS DOOR
 W/ TRANSOM & W SIDELITE
 ON ONE SIDE

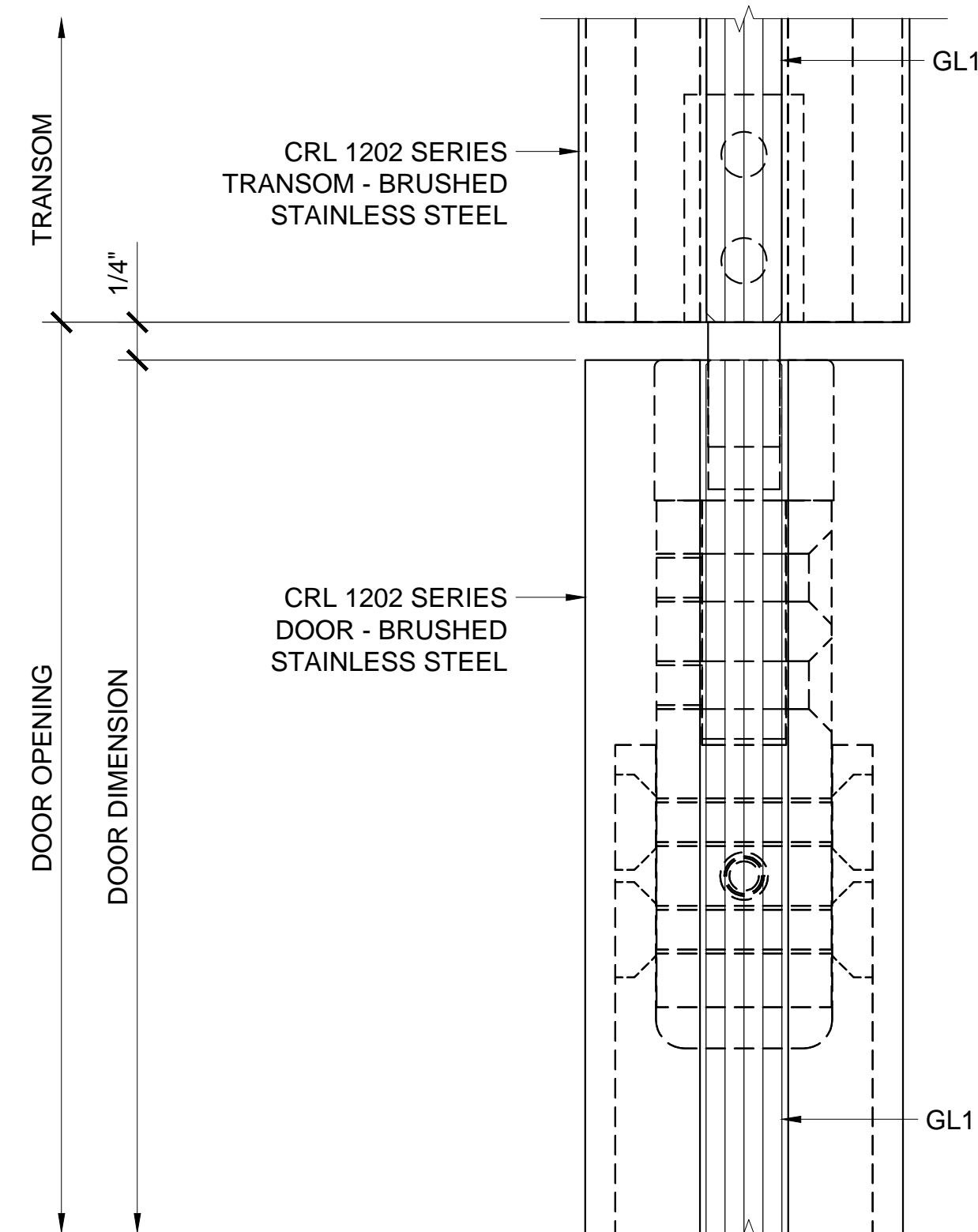
Drawn By: AAD
 Date: 10/21/15
 Scale: AS NOTED
 File Name: 3-1202 Series Swinging
 Double Glass Door - W Transom &
 W Sidelite.dwg

Sheet



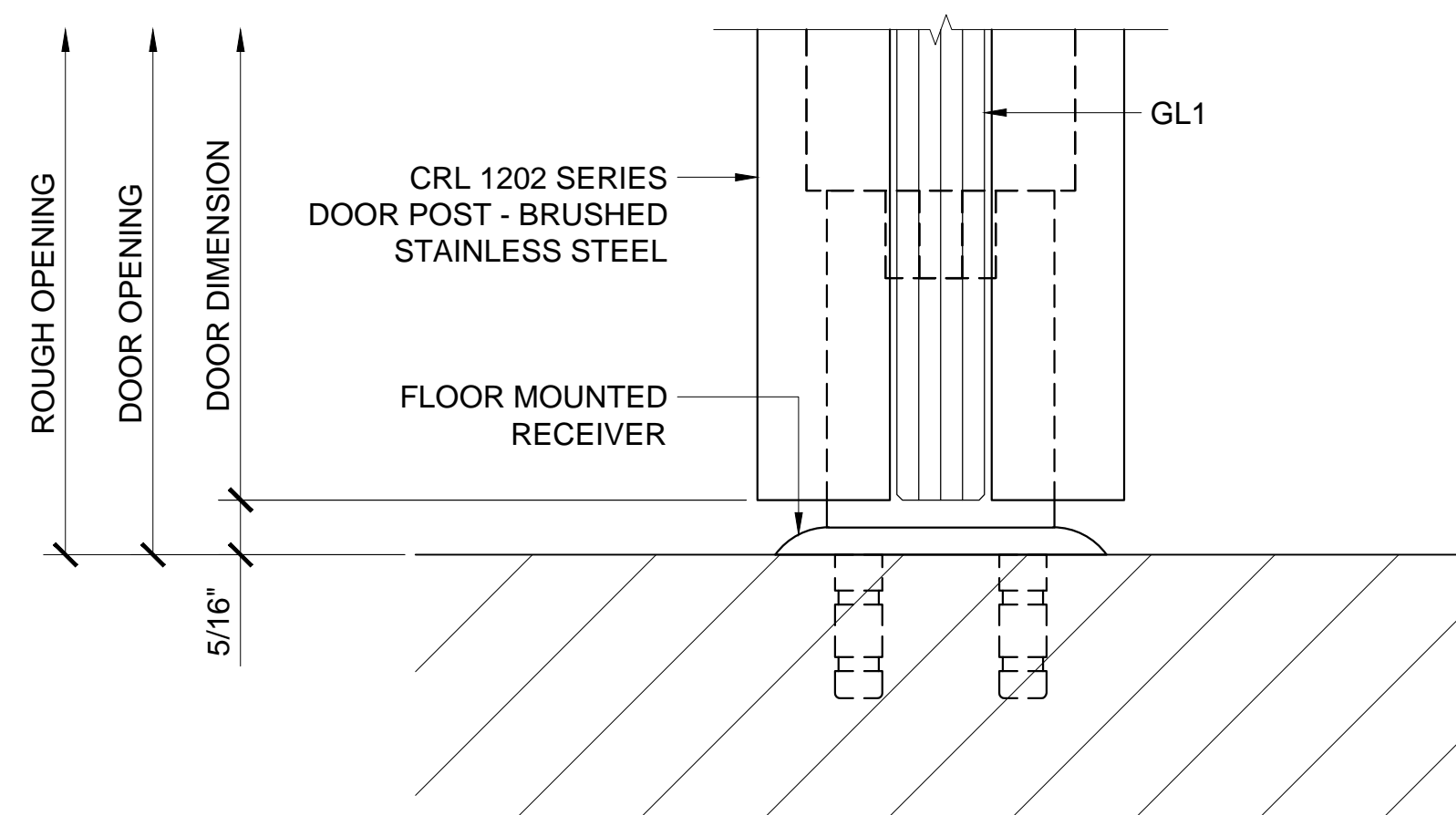
① TRANSOM HEAD DETAIL

ARCH REF: 1'-0"=1'-0"



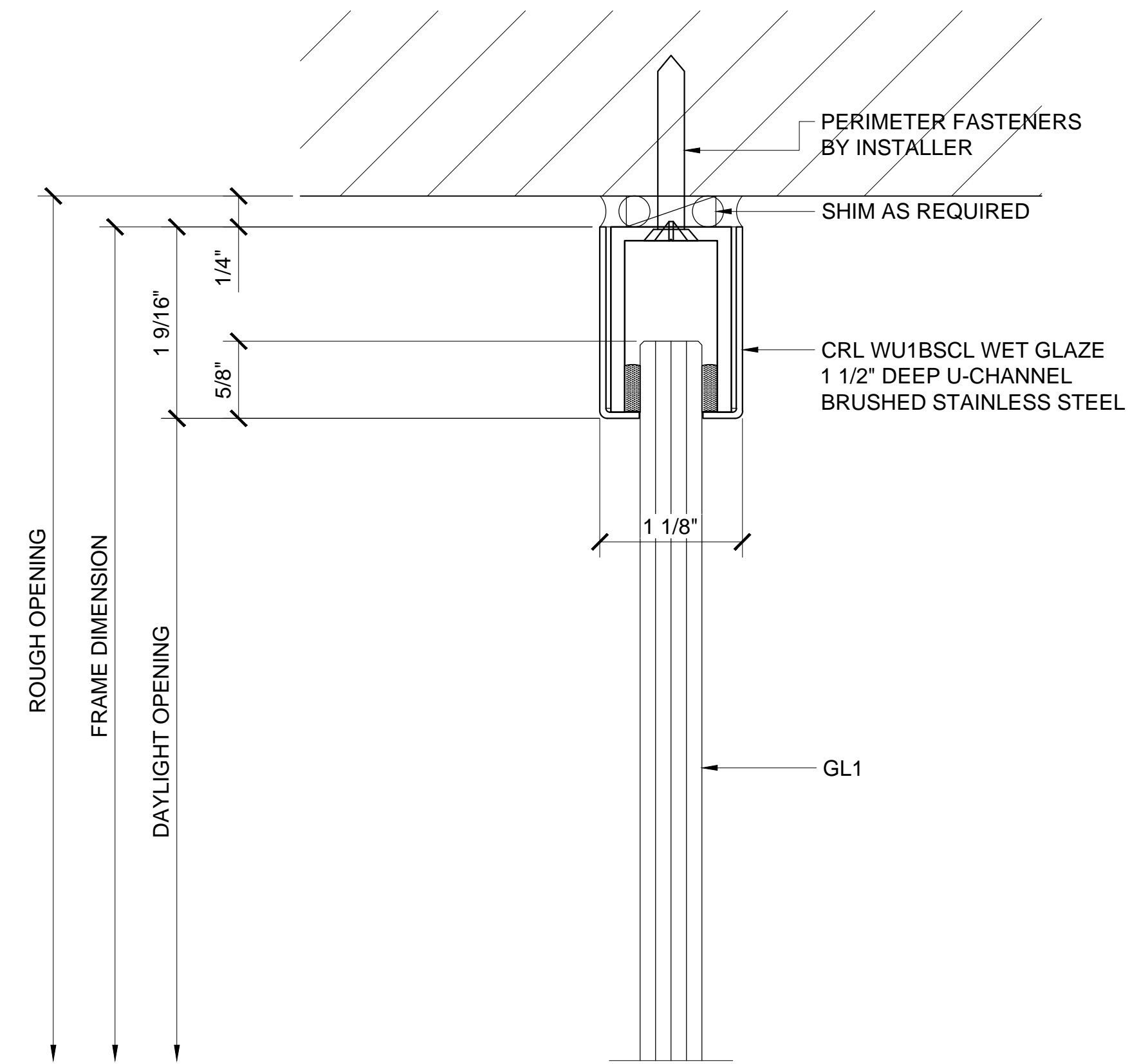
② DOOR HEAD AT TRANSOM DETAIL

ARCH REF: 1'-0"=1'-0"



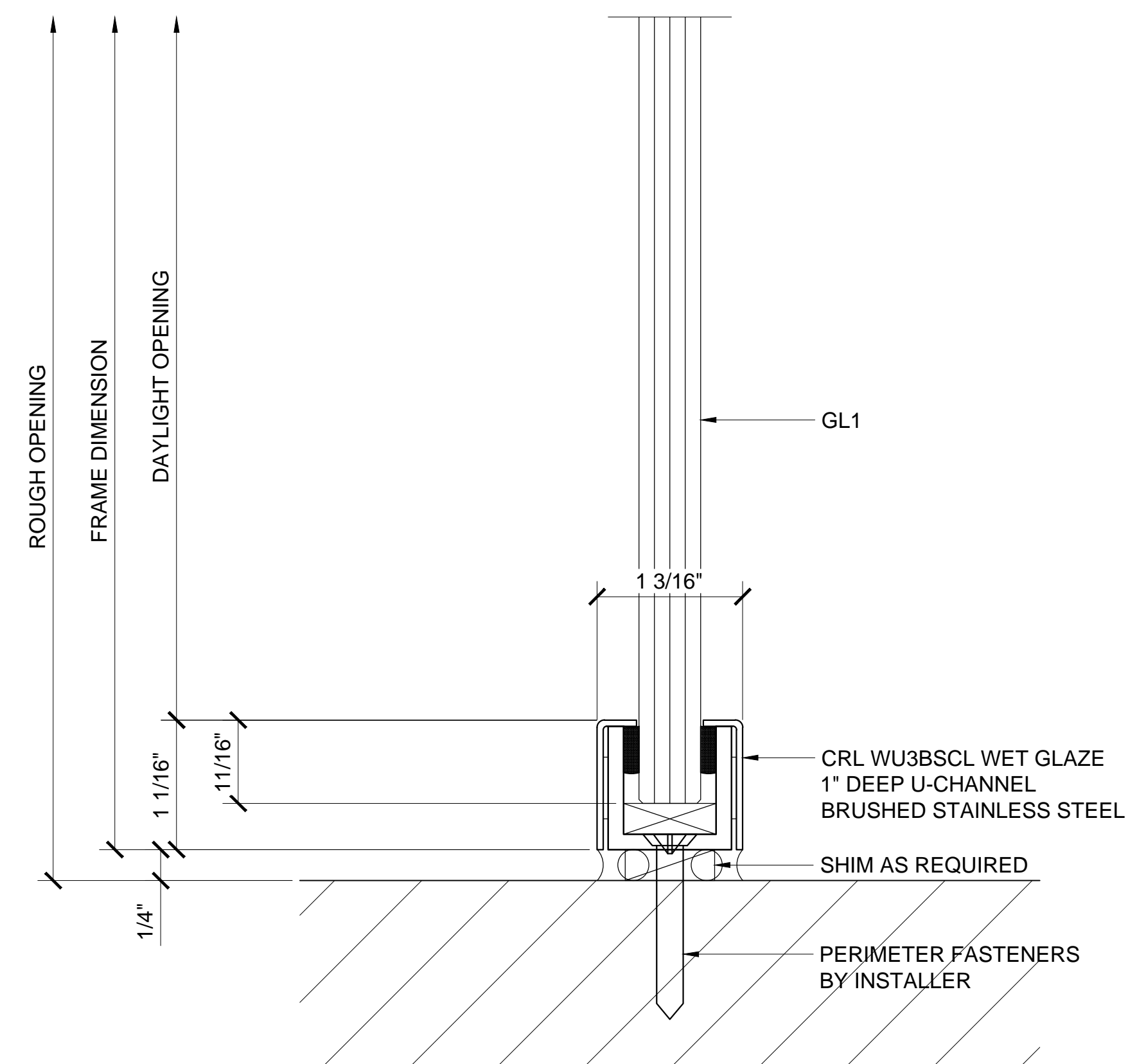
③ DOOR SILL DETAIL

ARCH REF: 1'-0"=1'-0"



④ SIDELITE HEAD DETAIL

ARCH REF: 1'-0"=1'-0"



⑤ SIDELITE SILL DETAIL

ARCH REF: 1'-0"=1'-0"

Revisions By:

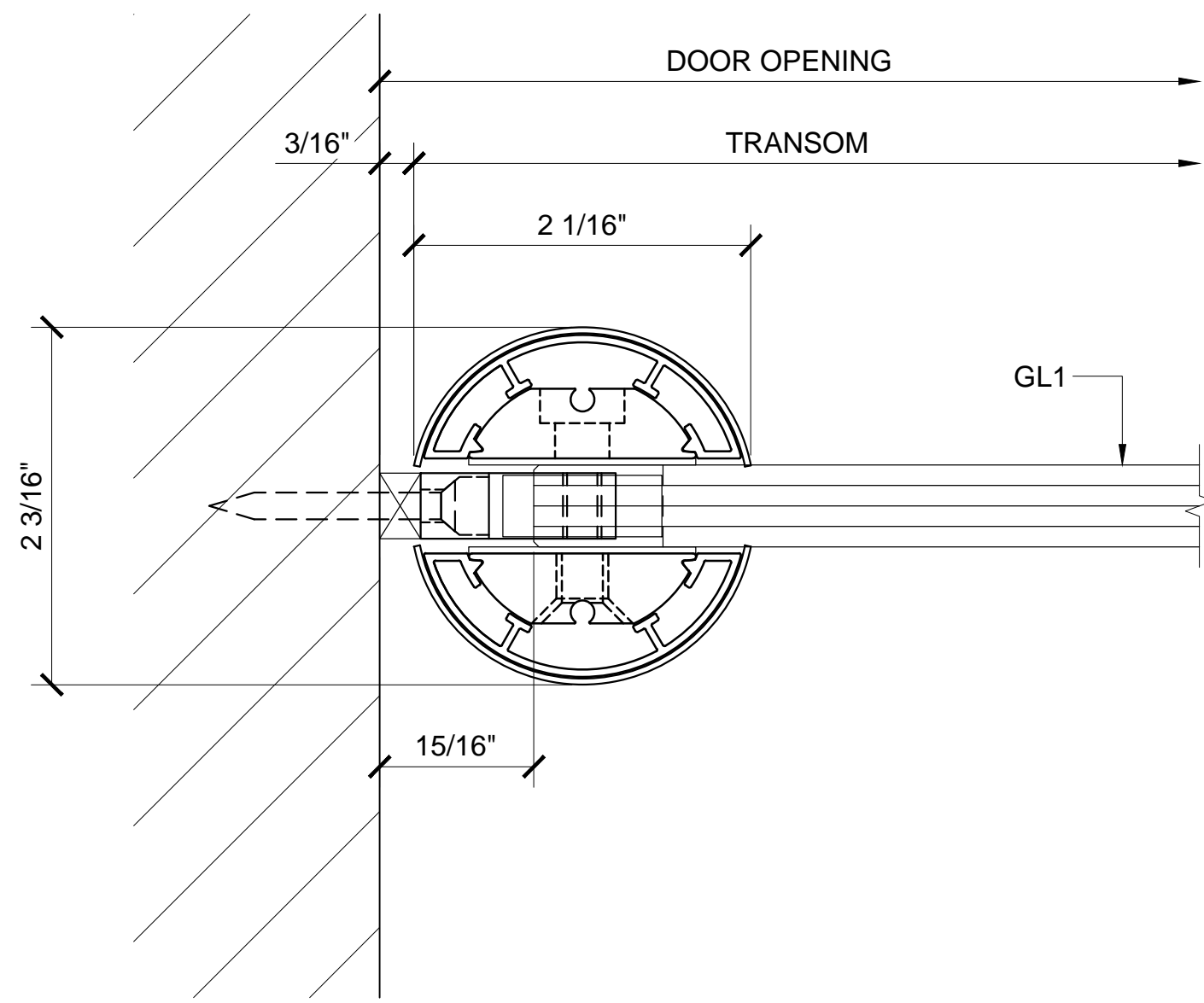


Description:
 1202 SERIES SWINGING
 DOUBLE GLASS DOOR
 W/ TRANSOM & W SIDELITE
 ON ONE SIDE

Drawn By: AAD
 Date: 10/21/15
 Scale: AS NOTED
 File Name: 3-1202 Series Swinging
 Double Glass Door - W Transom &
 W Sidelite.dwg

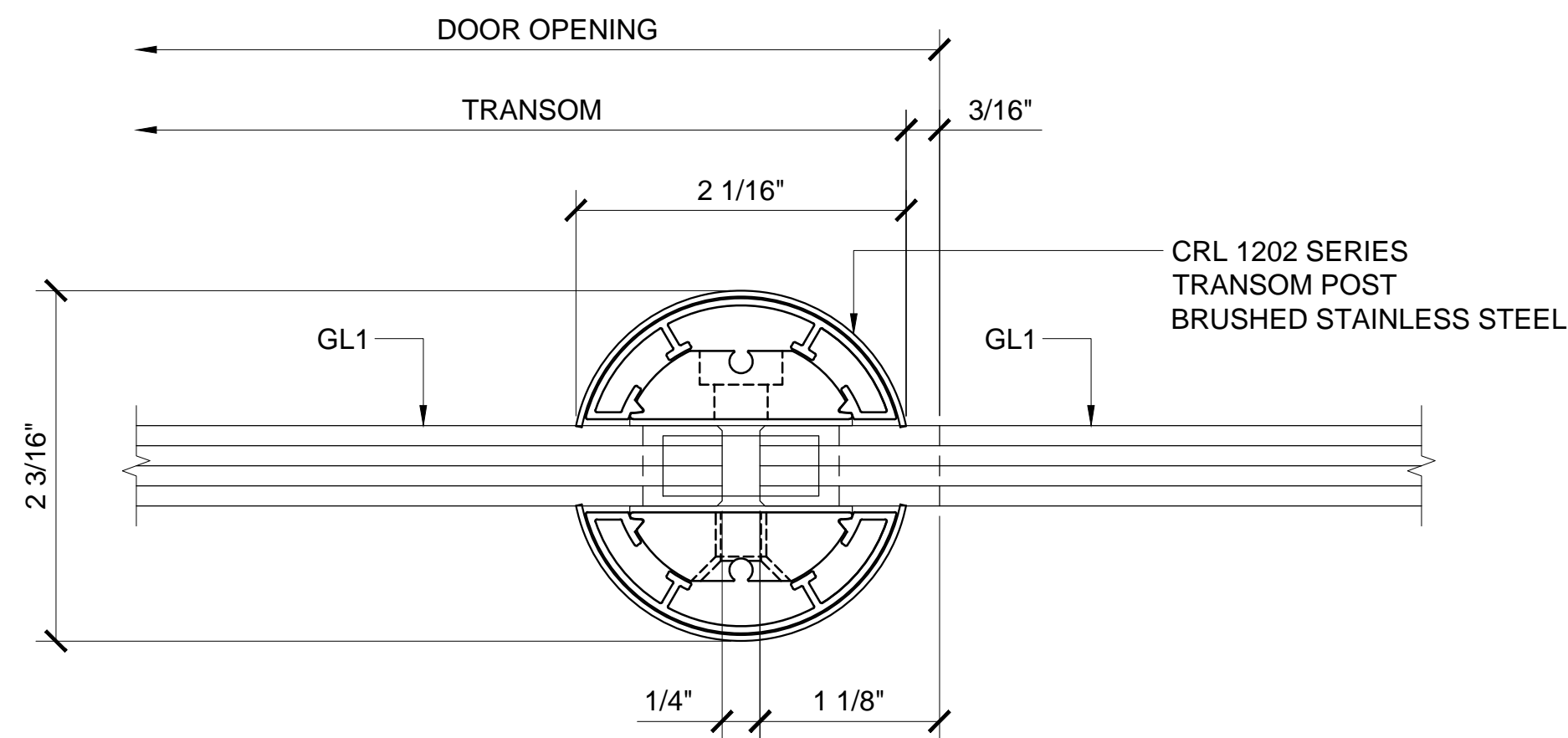
Sheet

Revisions By:



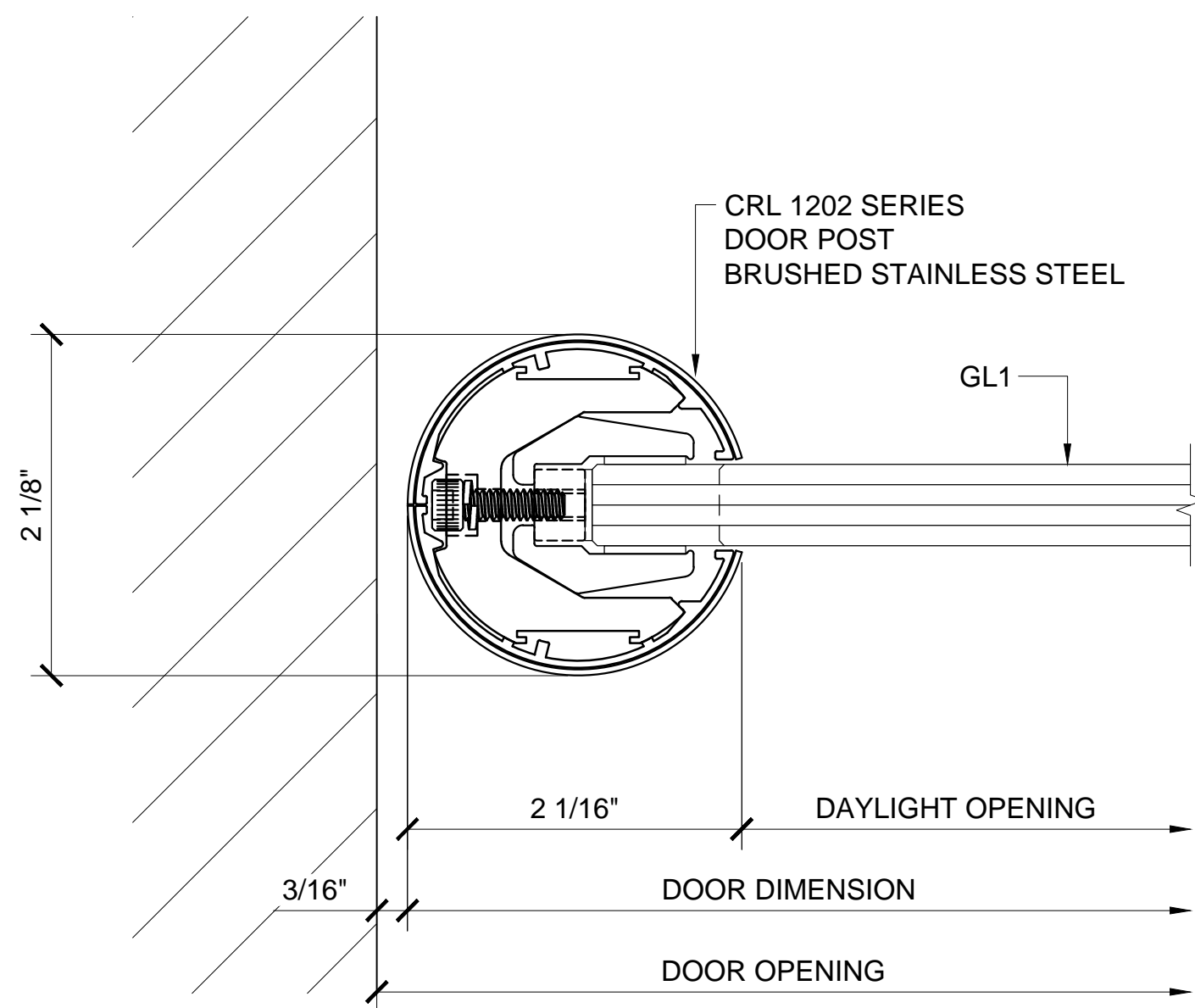
⑤ TRANSOM POST SECTION AT WALL DETAIL

ARCH REF: 1'-0"=1'-0"



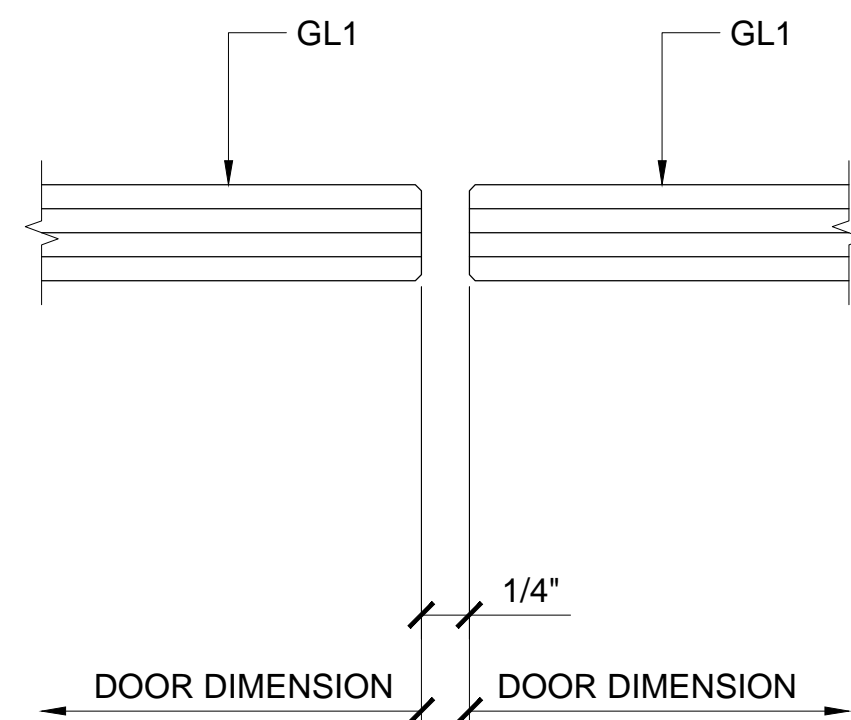
⑥ TRANSOM POST SECTION AT SIDELITE DETAIL

ARCH REF: 1'-0"=1'-0"



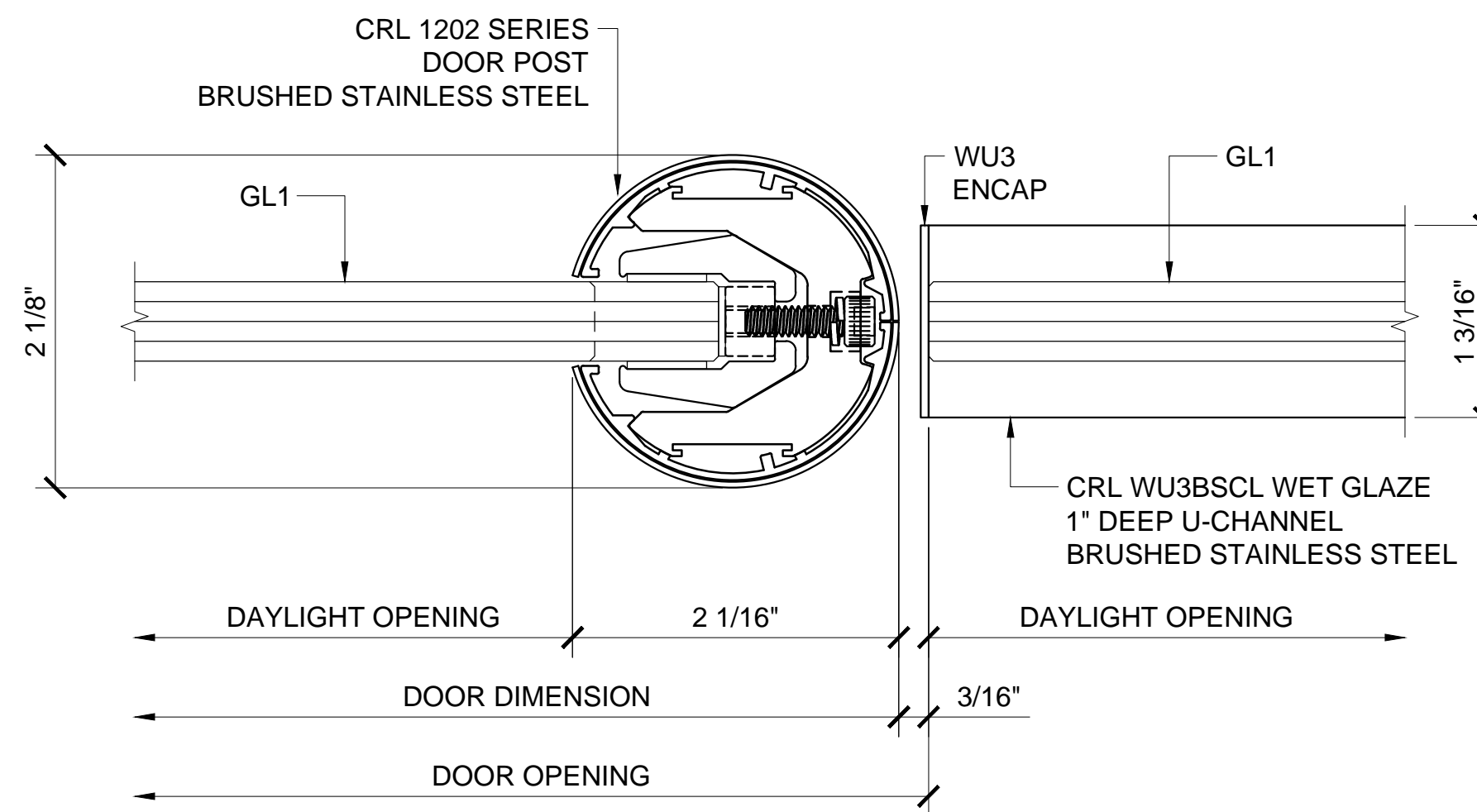
① DOOR PIVOT POST SECTION DETAIL

ARCH REF: 1'-0"=1'-0"



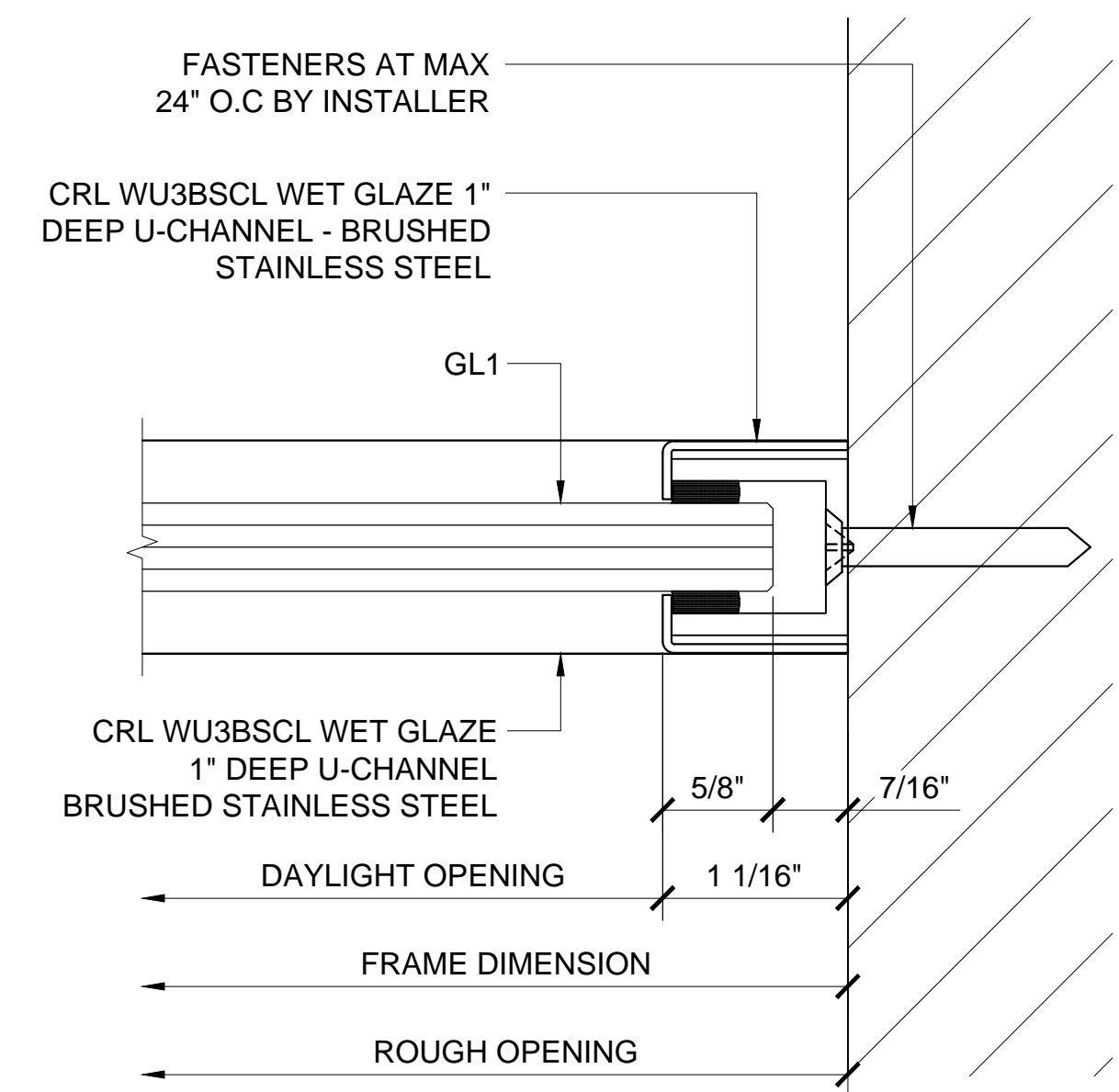
② MEETING STILES

ARCH REF: 1'-0"=1'-0"



③ DOOR PIVOT POST SECTION DETAIL

ARCH REF: 1'-0"=1'-0"



④ WALL JAMB DETAIL

ARCH REF: 1'-0"=1'-0"

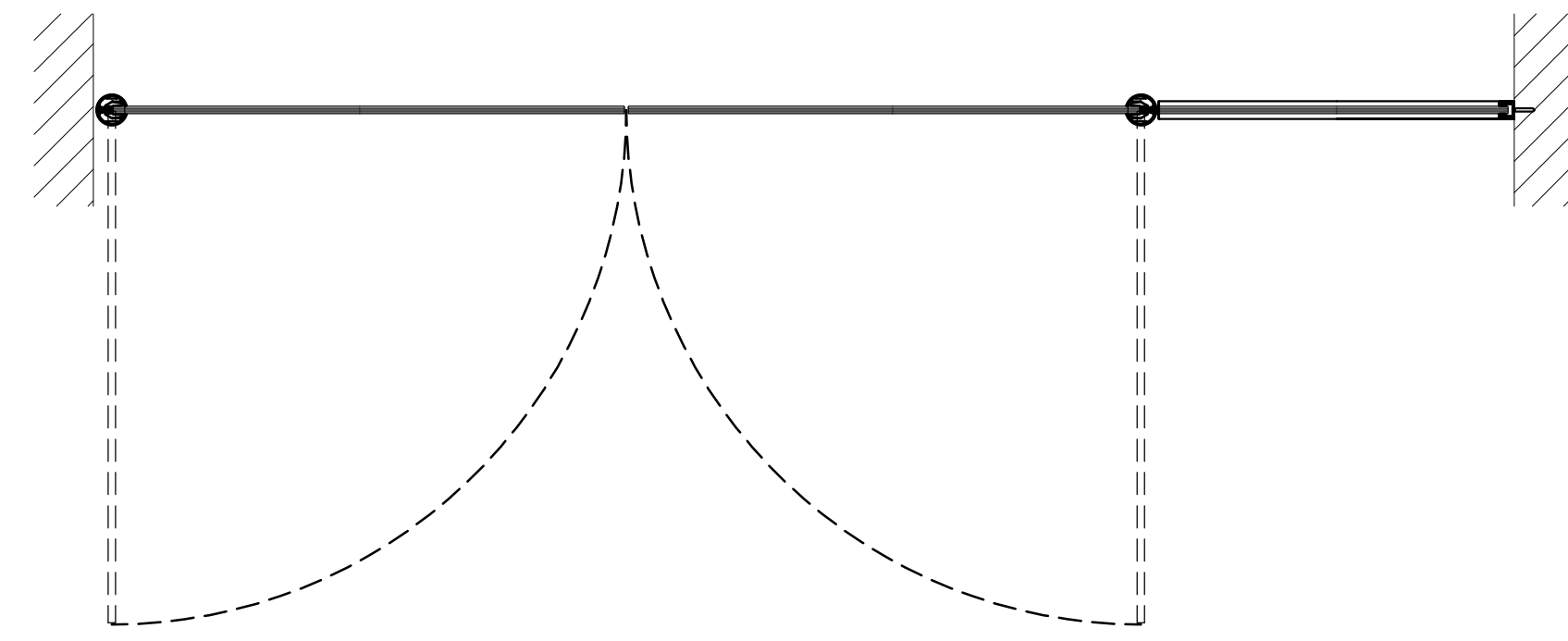
Description:
1202 SERIES SWINGING
DOUBLE GLASS DOOR
W/ TRANSOM & W SIDELITE
ON ONE SIDE

Drawn By: AAD
Date: 10/21/15
Scale: AS NOTED
File Name: 3-1202 Series Swinging
Double Glass Door - W Transom &
W Sidelite.dwg

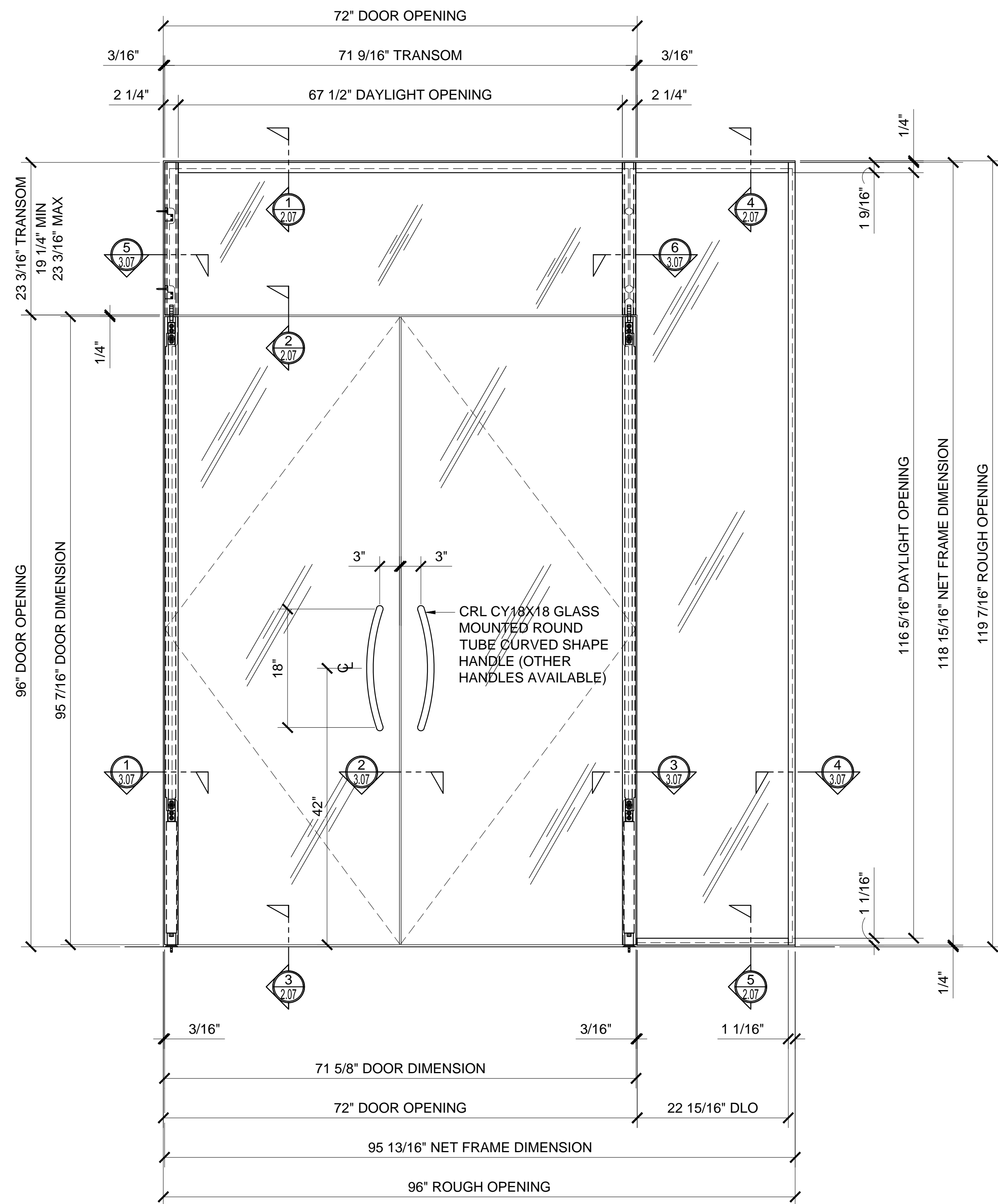
Sheet



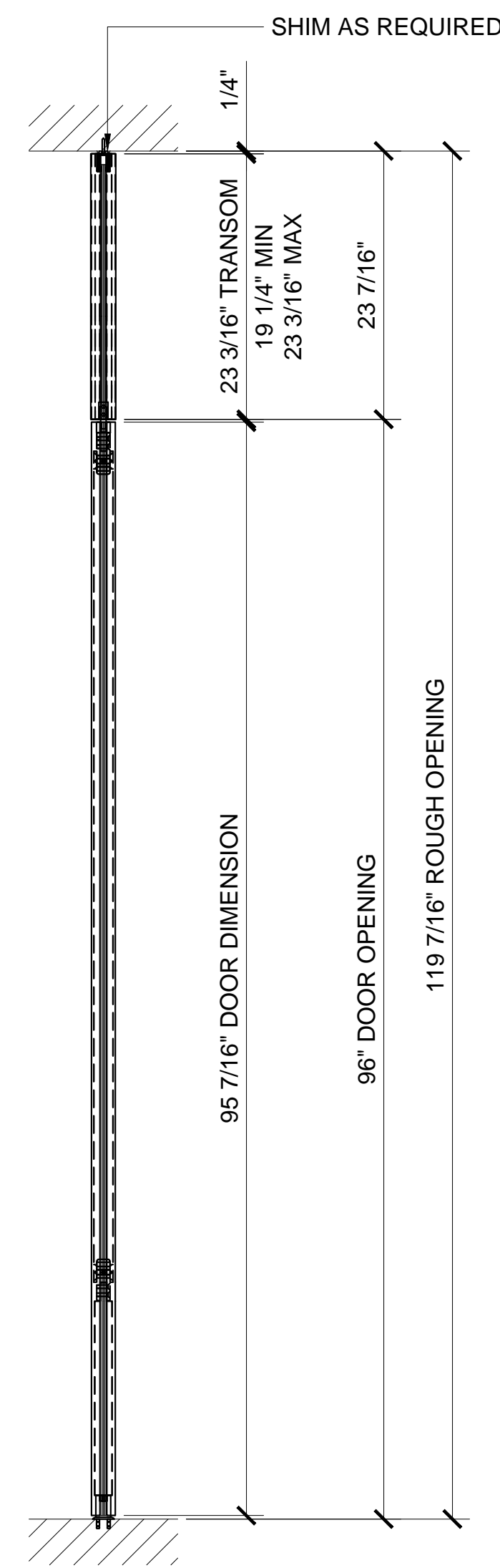
1202 SERIES SWINGING DOUBLE GLASS DOOR - W/ MEDIUM TRANSOM & W/ SIDELITE
 19 1/4" MIN TO 23 3/16" MAX HEIGHT



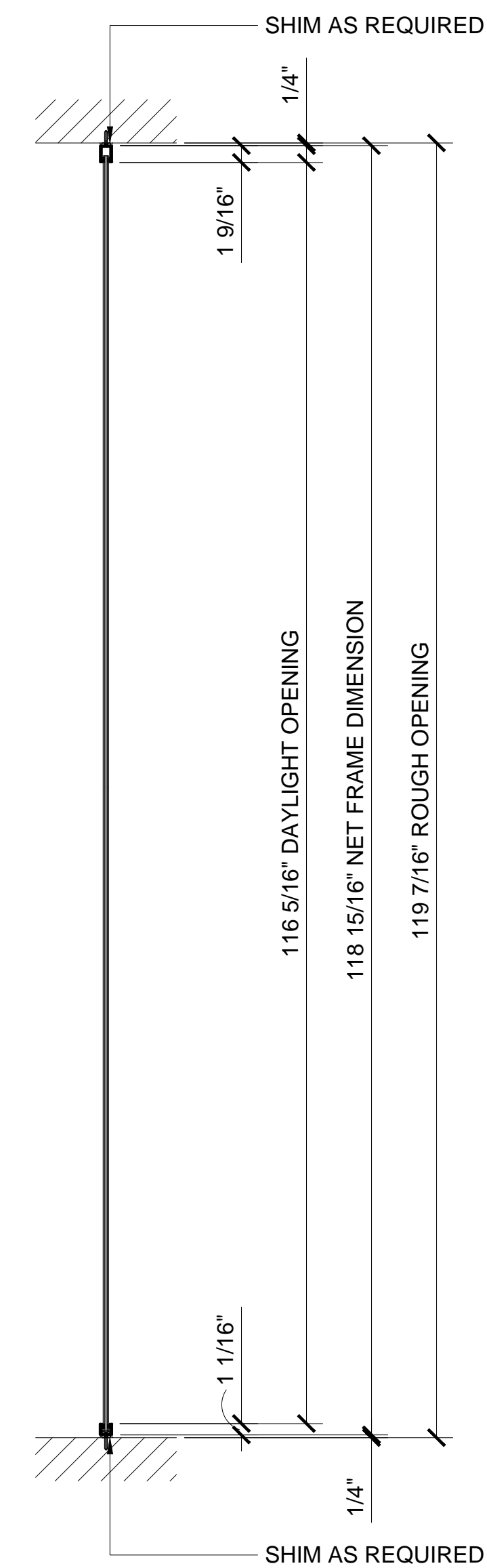
① PLAN
 ARCH REF: 1"=1'-0"



② ELEVATION
 ARCH REF: 1"=1'-0"



③ DOOR SECTION
 ARCH REF: 1"=1'-0"



④ SIDELITE SECTION
 ARCH REF: 1"=1'-0"

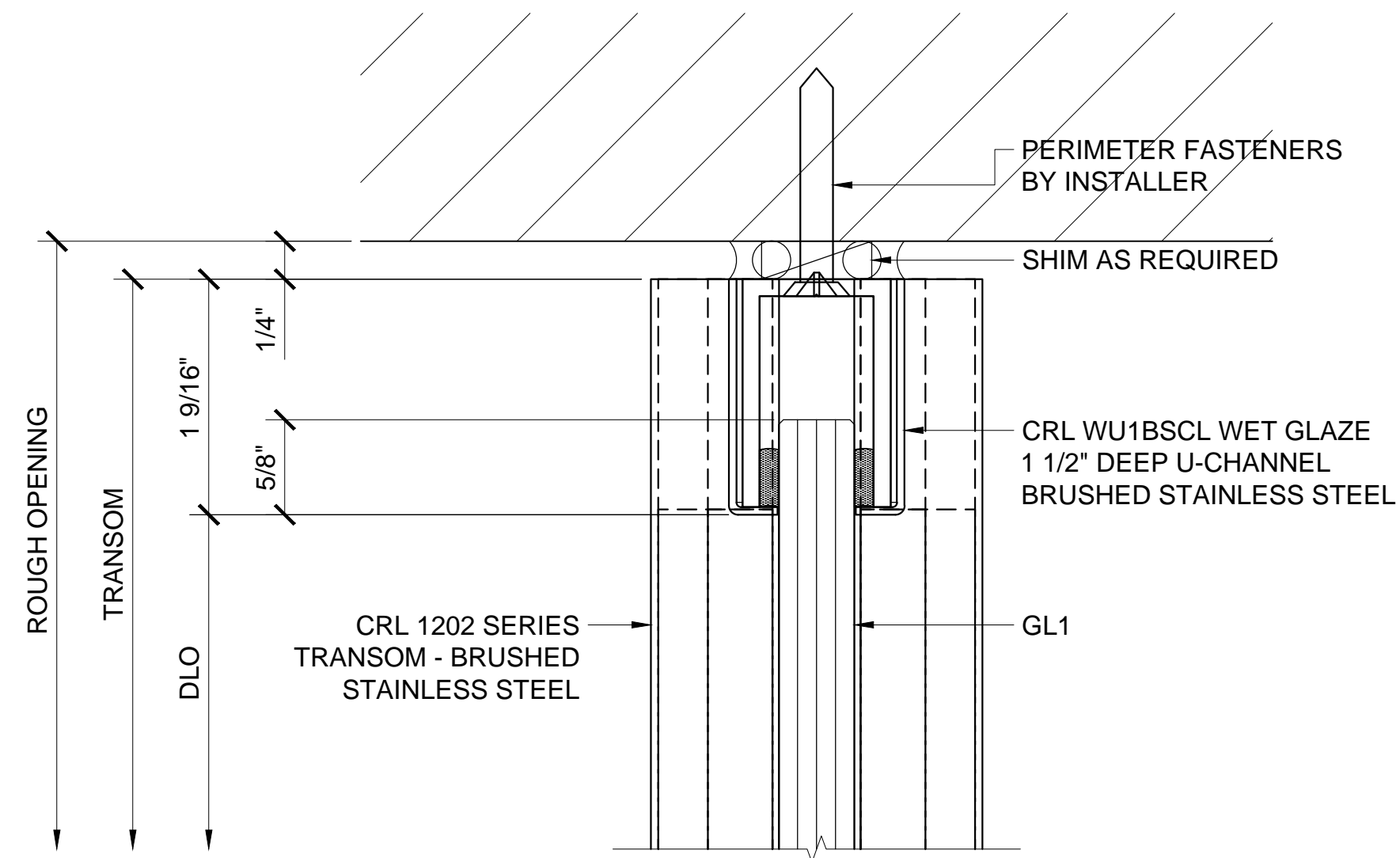
Revisions By:



Description:
 1202 SERIES SWINGING
 DOUBLE GLASS DOOR
 W/ TRANSOM & W SIDELITE
 ON ONE SIDE

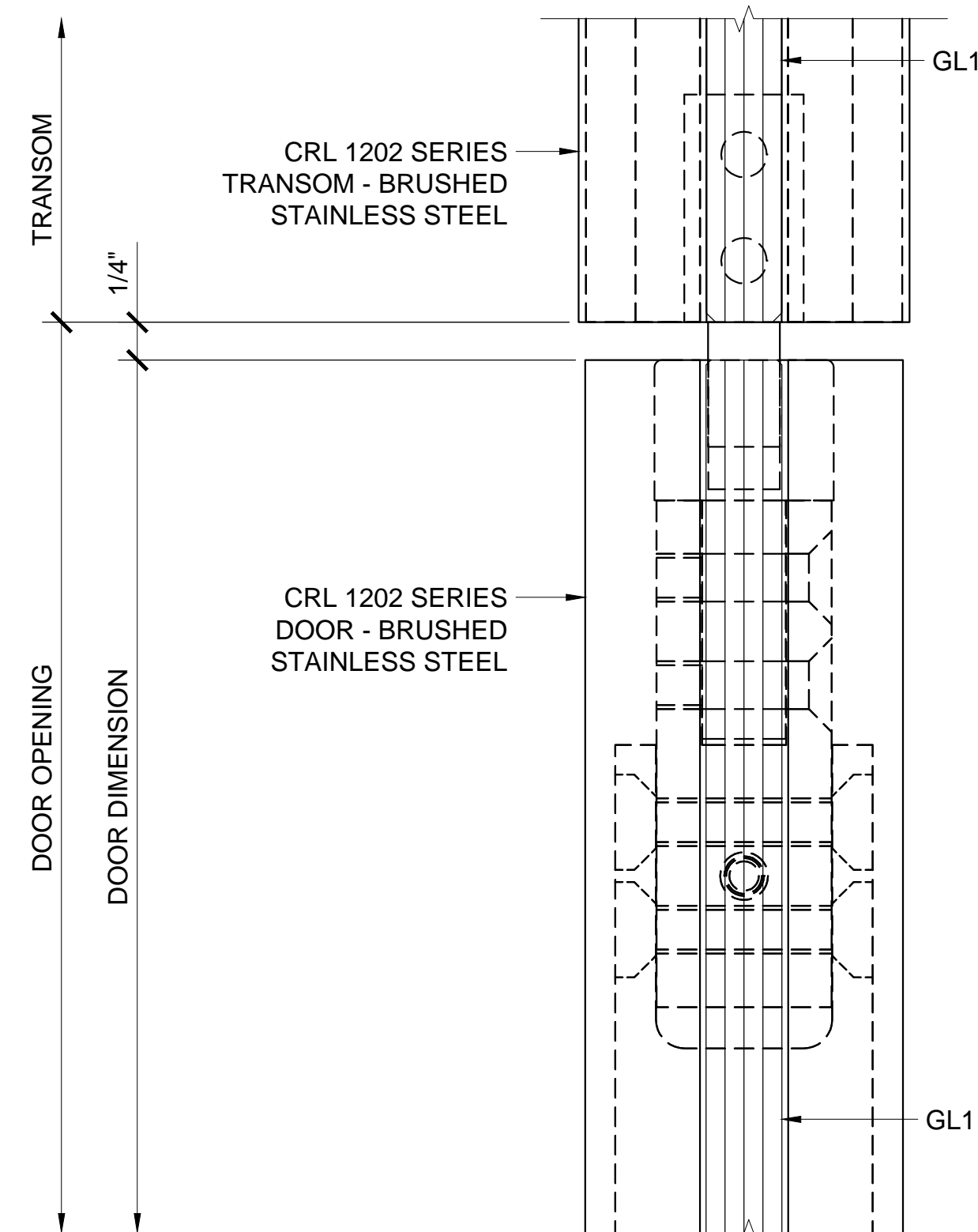
Drawn By: AAD
 Date: 10/21/15
 Scale: AS NOTED
 File Name: 3-1202 Series Swinging
 Double Glass Door- W Transom &
 W Sidelite.dwg

Sheet



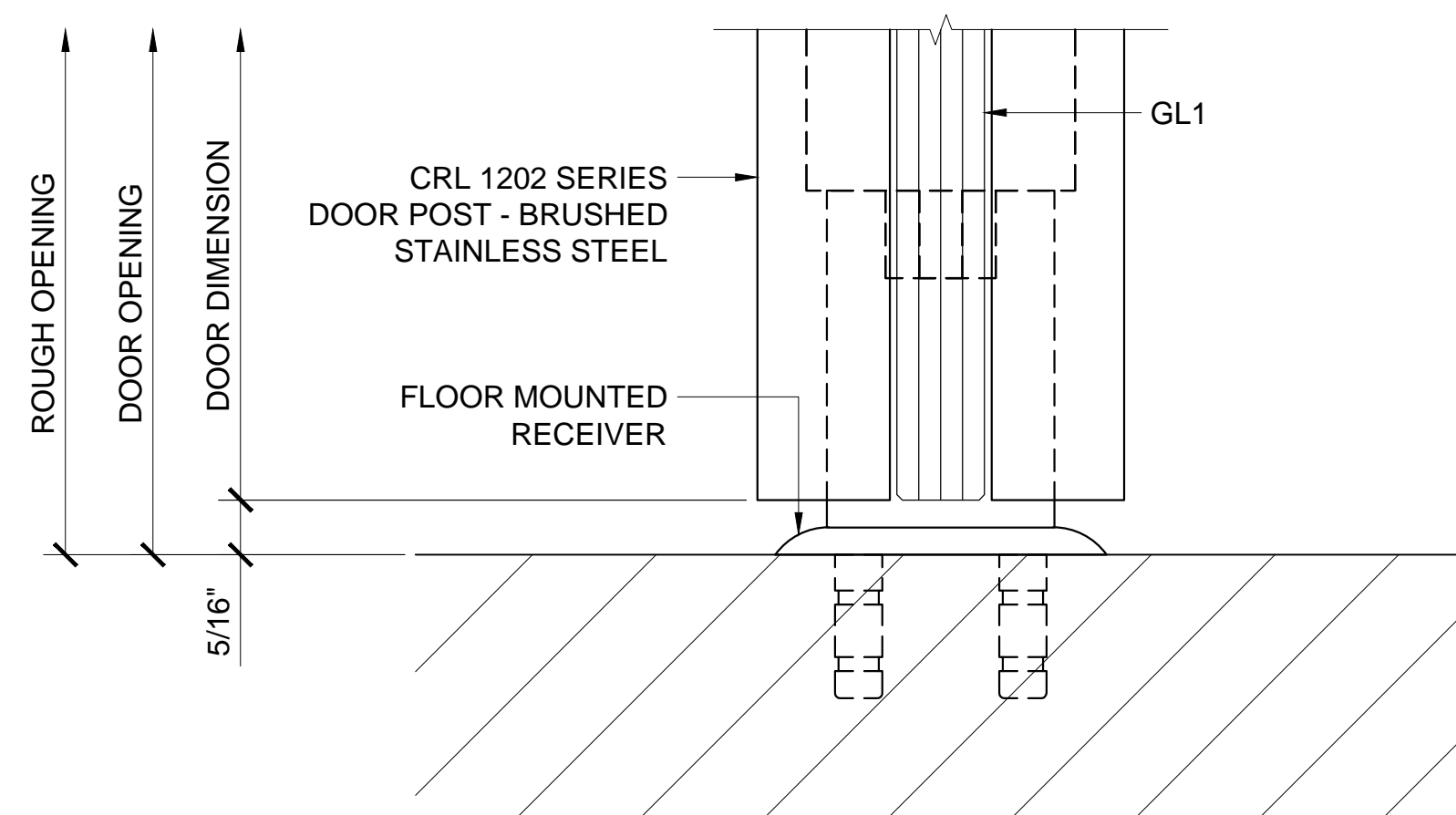
1 TRANSOM HEAD DETAIL

ARCH REF: 1'-0"=1'-0"



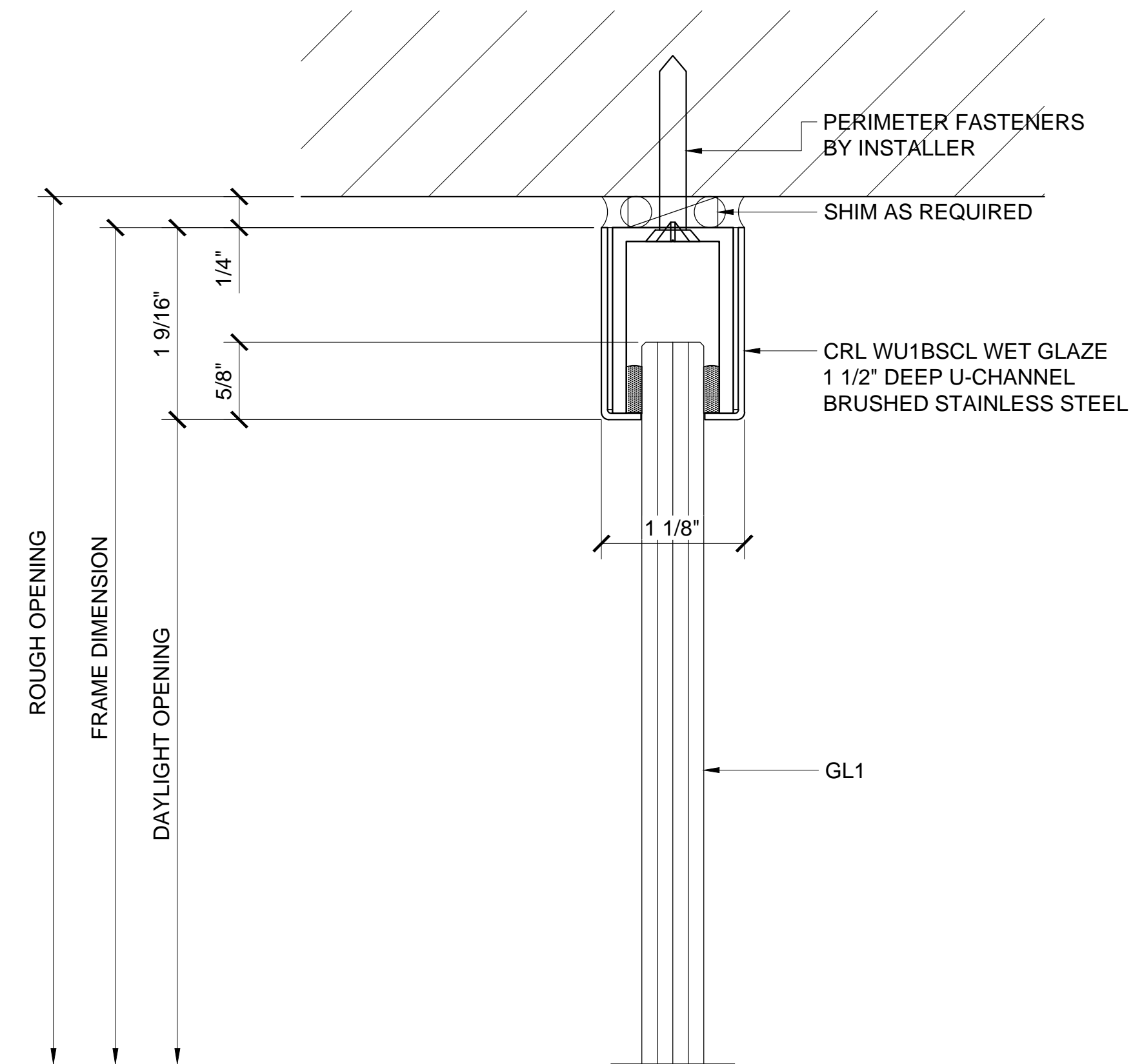
2 DOOR HEAD AT TRANSOM DETAIL

ARCH REF: 1'-0"=1'-0"



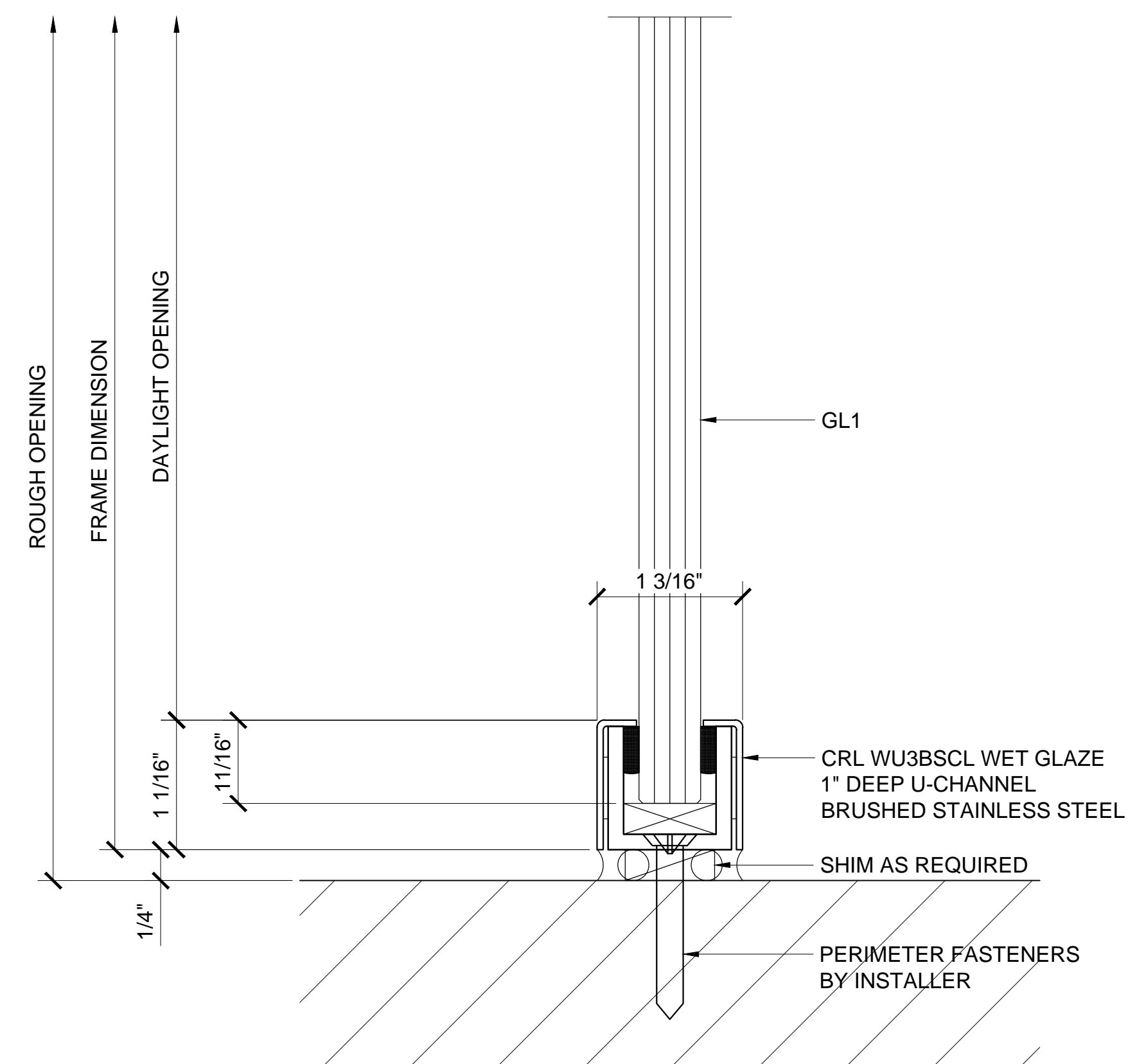
3 DOOR SILL DETAIL

ARCH REF: 1'-0"=1'-0"



4 SIDELITE HEAD DETAIL

ARCH REF: 1'-0"=1'-0"



5 SIDELITE SILL DETAIL

ARCH REF: 1'-0"=1'-0"

Revisions By:



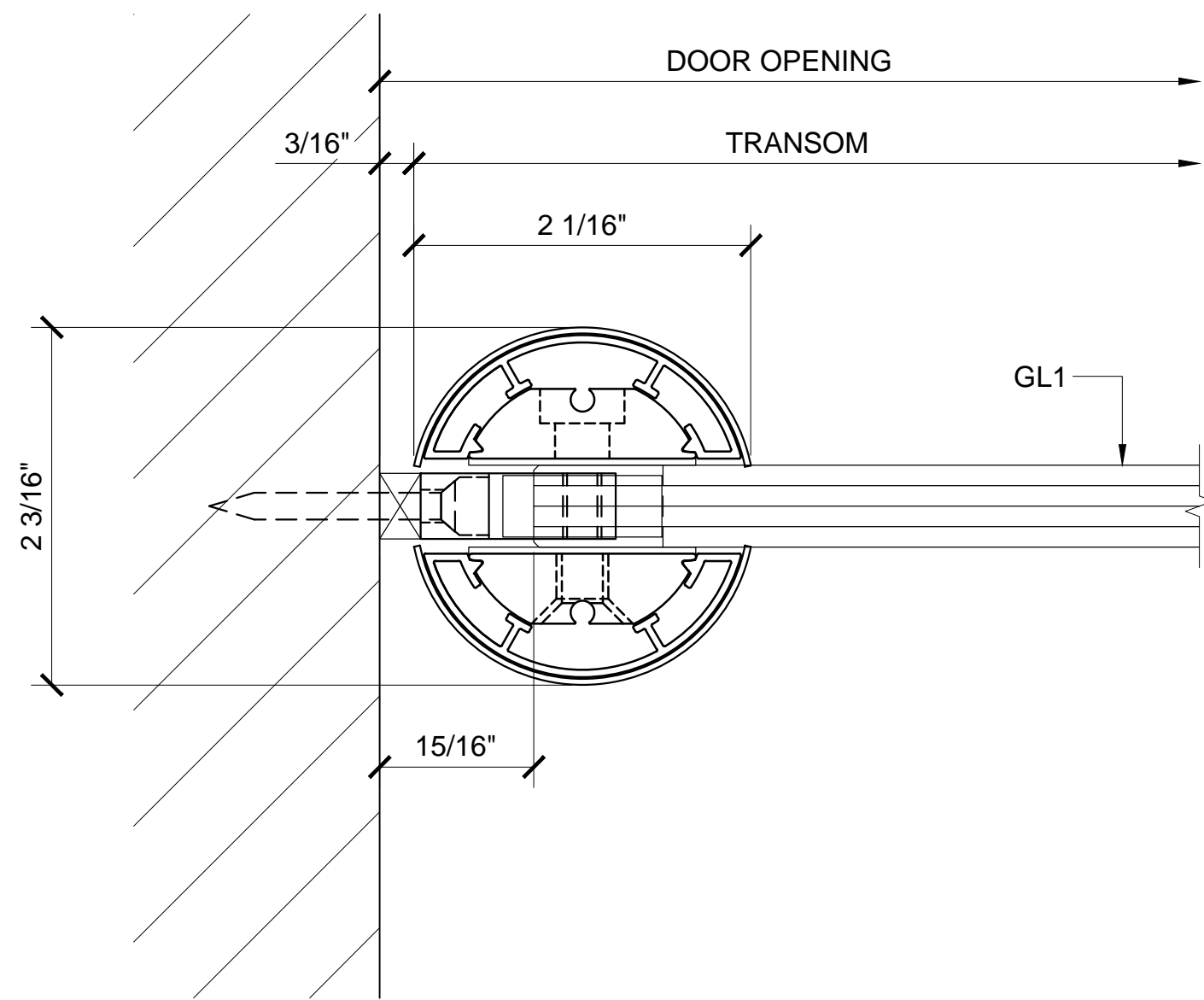
Description:
1202 SERIES SWINGING
DOUBLE GLASS DOOR
W/ TRANSOM & W SIDELITE
ON ONE SIDE

Drawn By: AAD
Date: 10/21/15
Scale: AS NOTED
File Name: 3-1202 Series Swinging
Double Glass Door - W Transom &
W Sidelite.dwg

Sheet

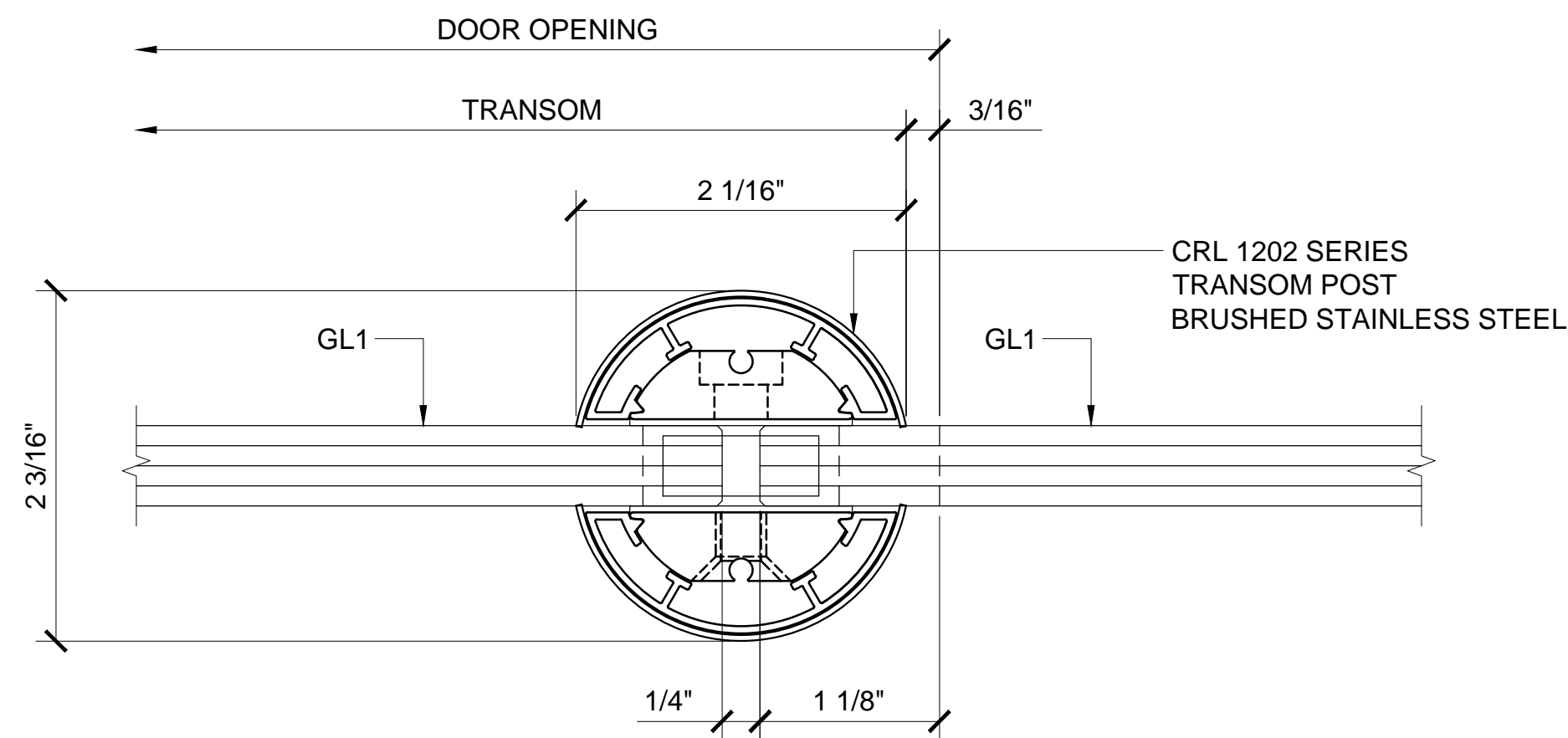
Revisions By:

CRL
US ALUMINUM
C.R. LAURENCE CO. ARCHITECTURAL PRODUCTS
2503 E. Vernon Avenue, Los Angeles, CA 90058-1897
PH: (800)-421-6144 FX: (800)-587-7301 www.crlaurence.com



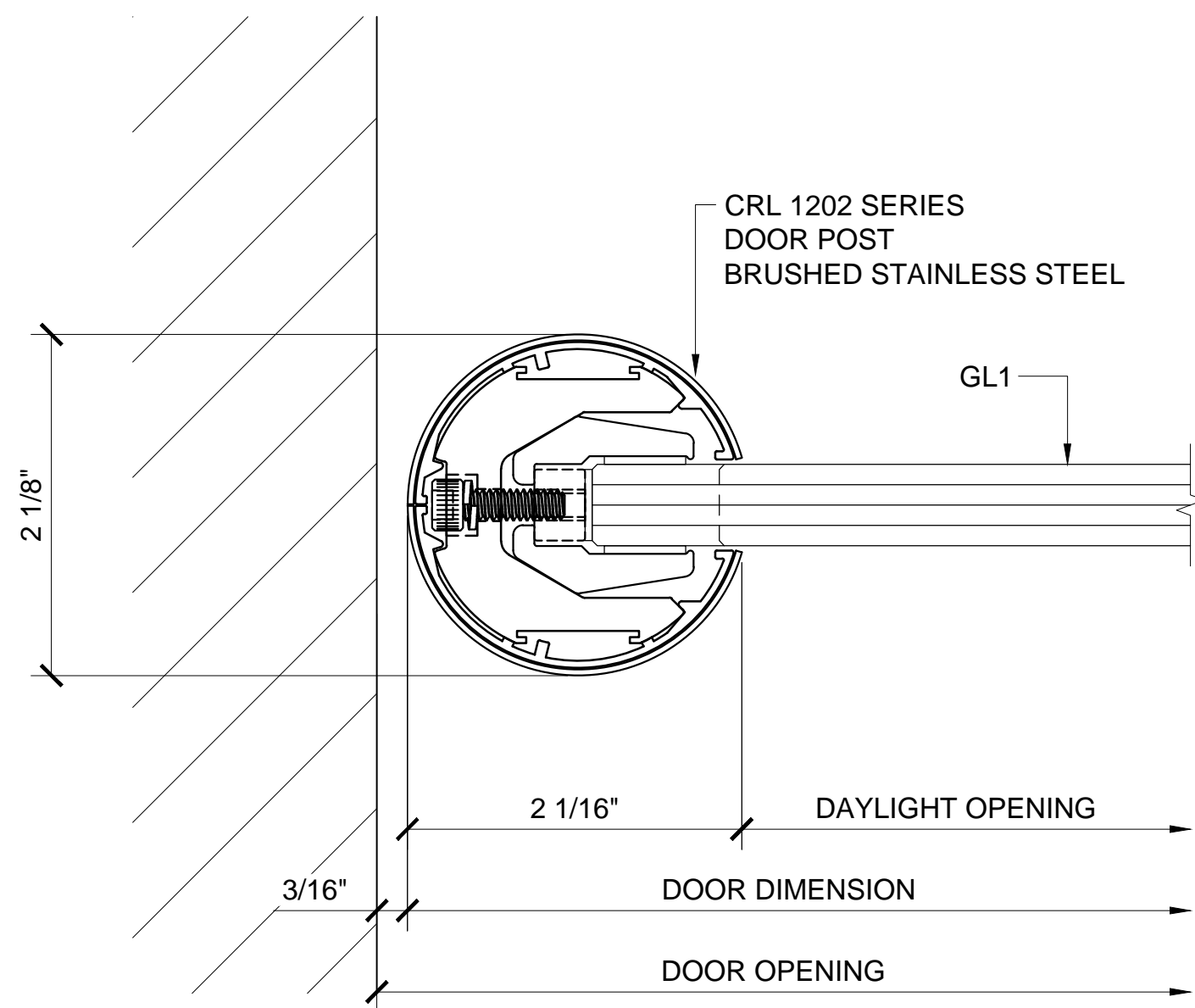
⑤ TRANSOM POST SECTION AT WALL DETAIL

ARCH REF: 1'-0"=1'-0"



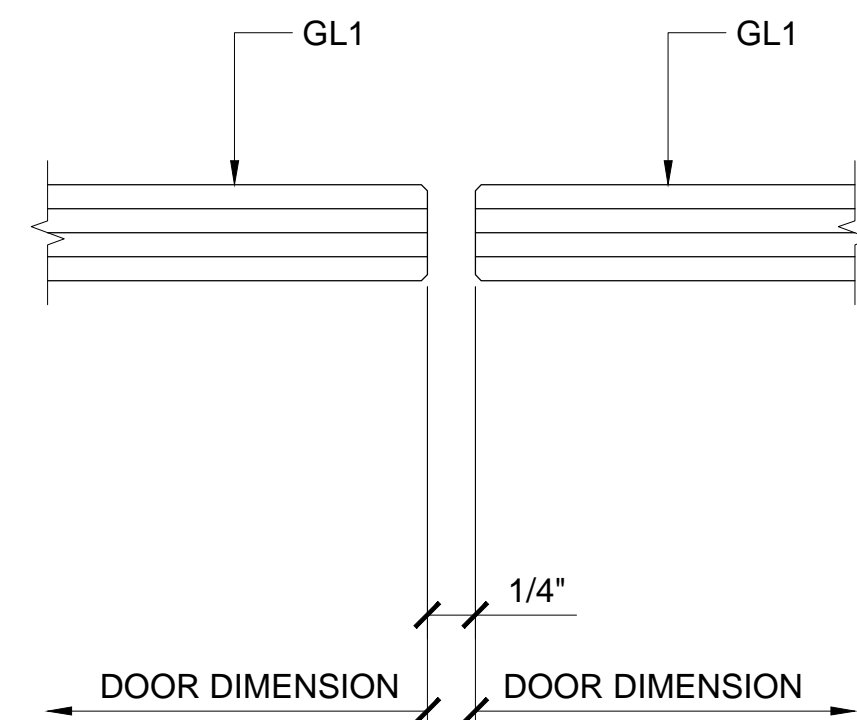
⑥ TRANSOM POST SECTION AT SIDELITE DETAIL

ARCH REF: 1'-0"=1'-0"



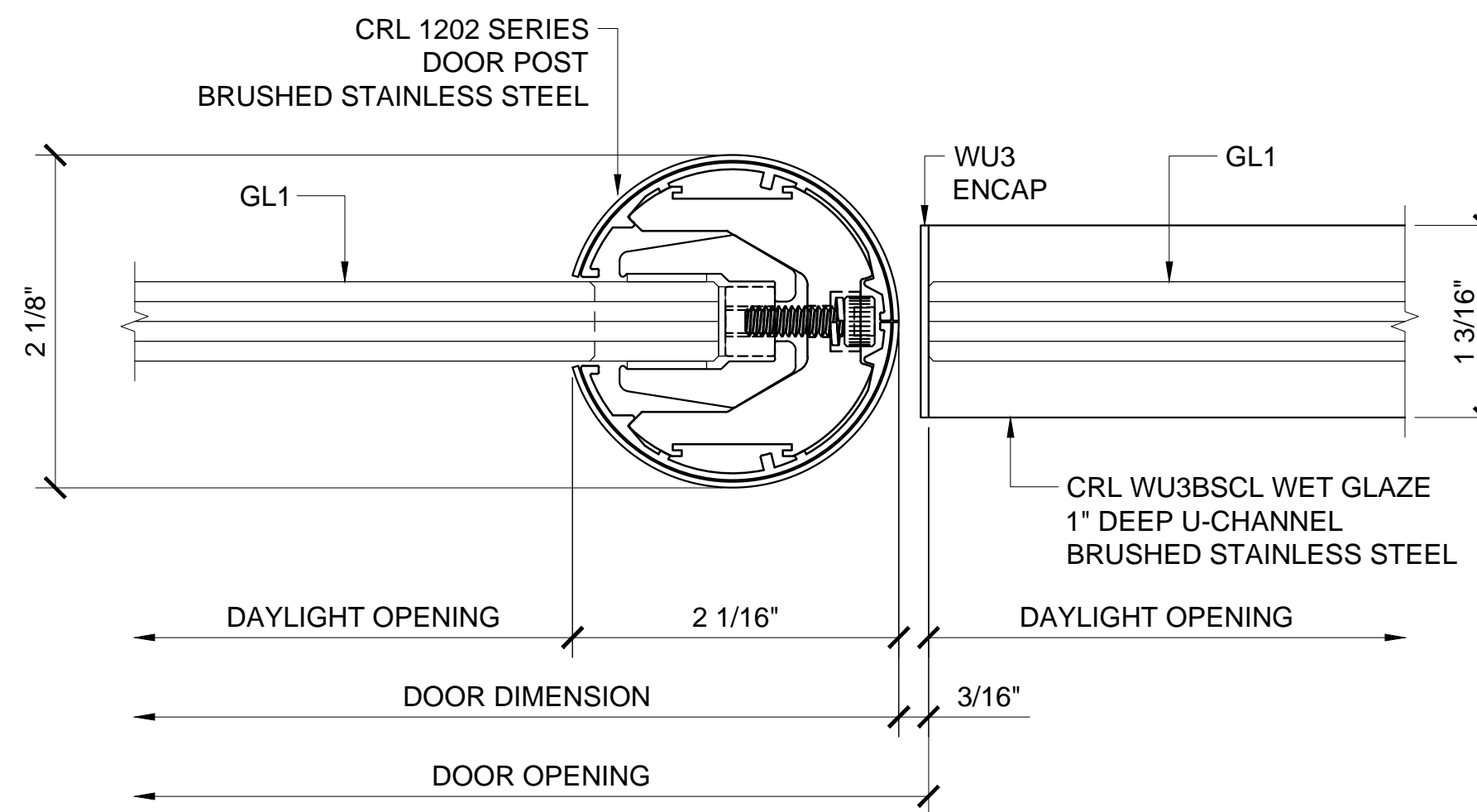
① DOOR PIVOT POST SECTION DETAIL

ARCH REF: 1'-0"=1'-0"



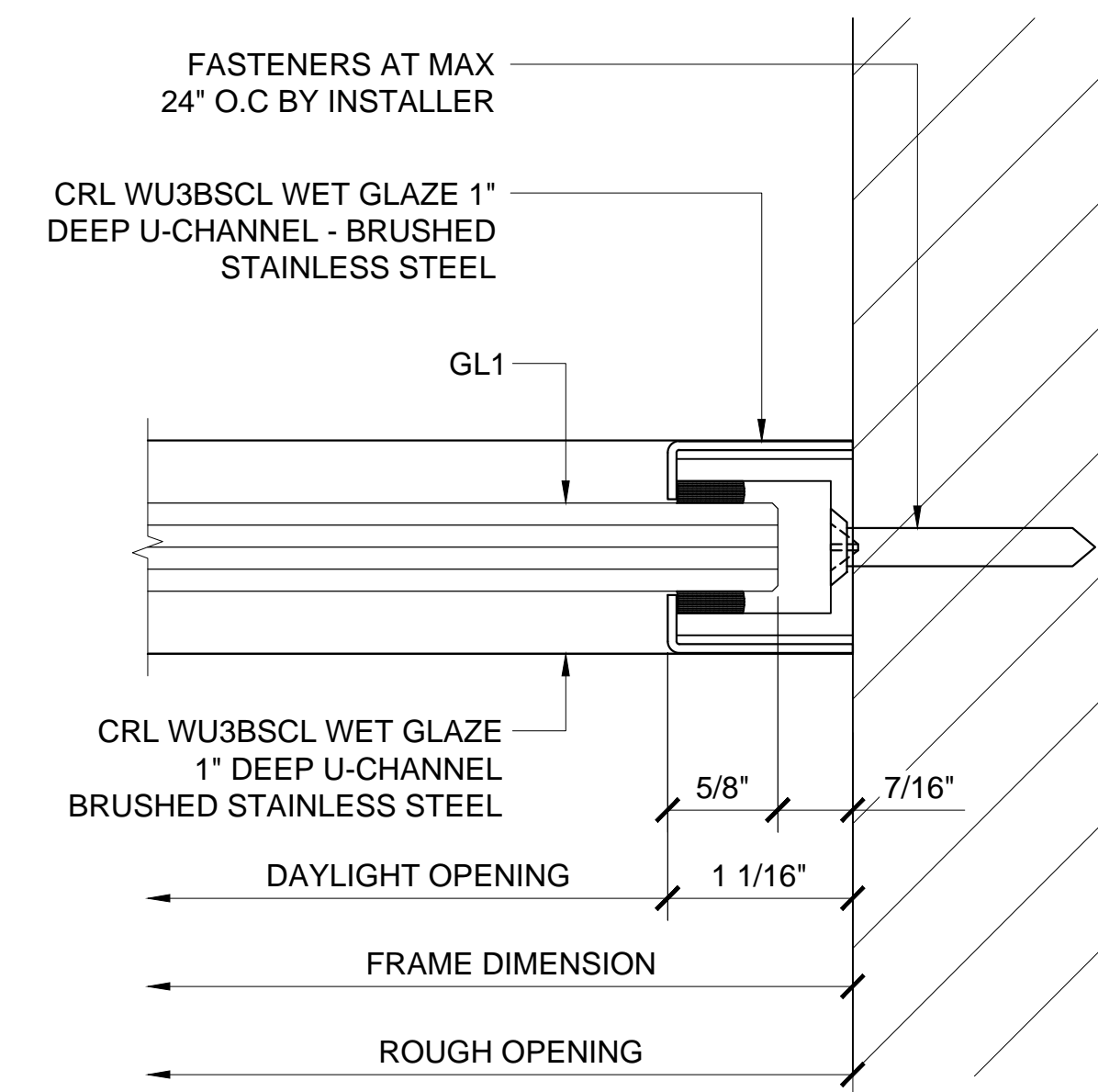
② MEETING STILES

ARCH REF: 1'-0"=1'-0"



③ DOOR PIVOT POST SECTION DETAIL

ARCH REF: 1'-0"=1'-0"



④ WALL JAMB DETAIL

ARCH REF: 1'-0"=1'-0"

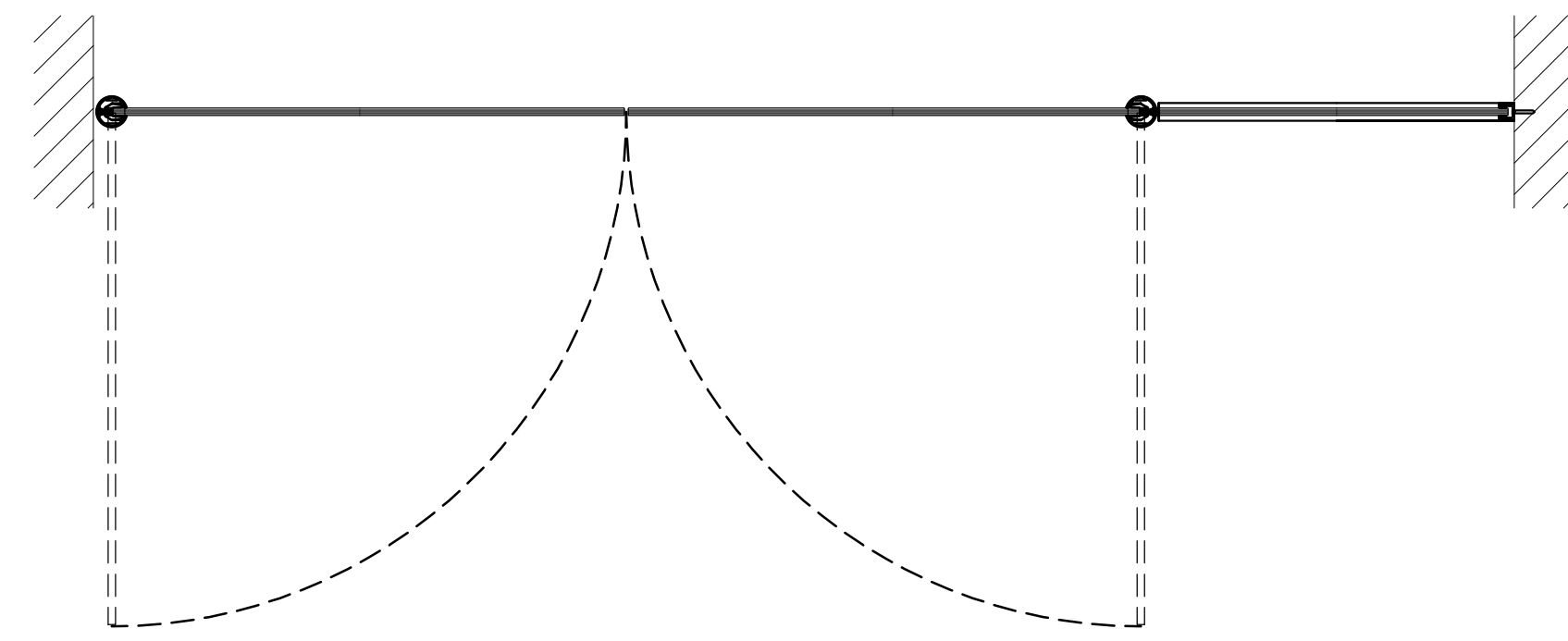
Description:
1202 SERIES SWINGING
DOUBLE GLASS DOOR
W/ TRANSOM & W SIDELITE
ON ONE SIDE

Drawn By: AAD
Date: 10/21/15
Scale: AS NOTED
File Name: 3-1202 Series Swinging
Double Glass Door- W Transom &
W Sidelite.dwg

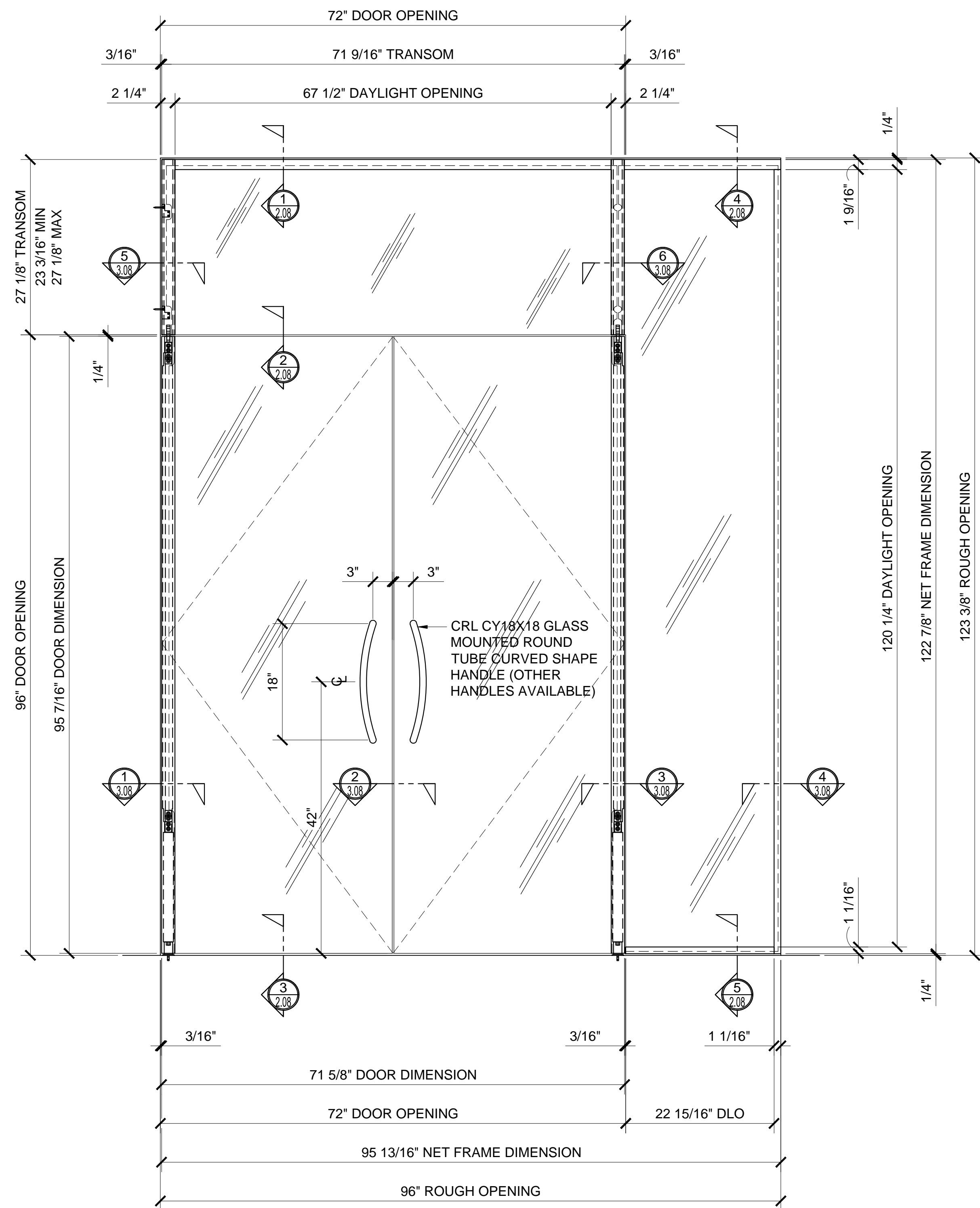
Sheet



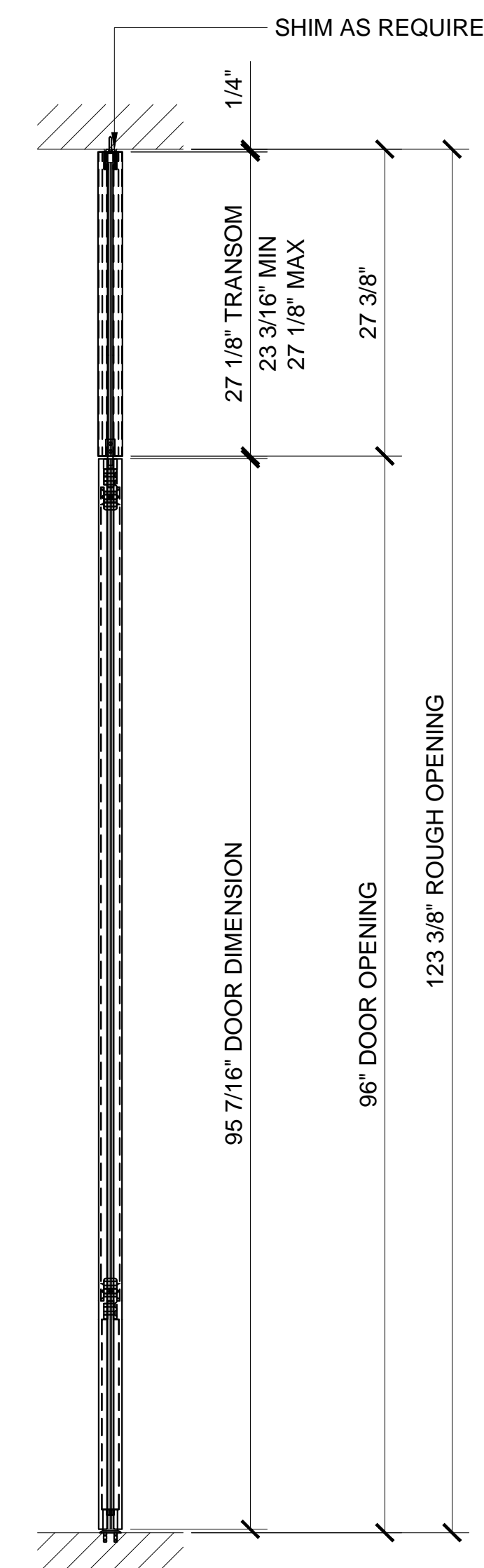
1202 SERIES SWINGING DOUBLE GLASS DOOR - W/ LARGE TRANSOM & W/ SIDELITE
23 3/16" MIN TO 27 1/8" MAX HEIGHT



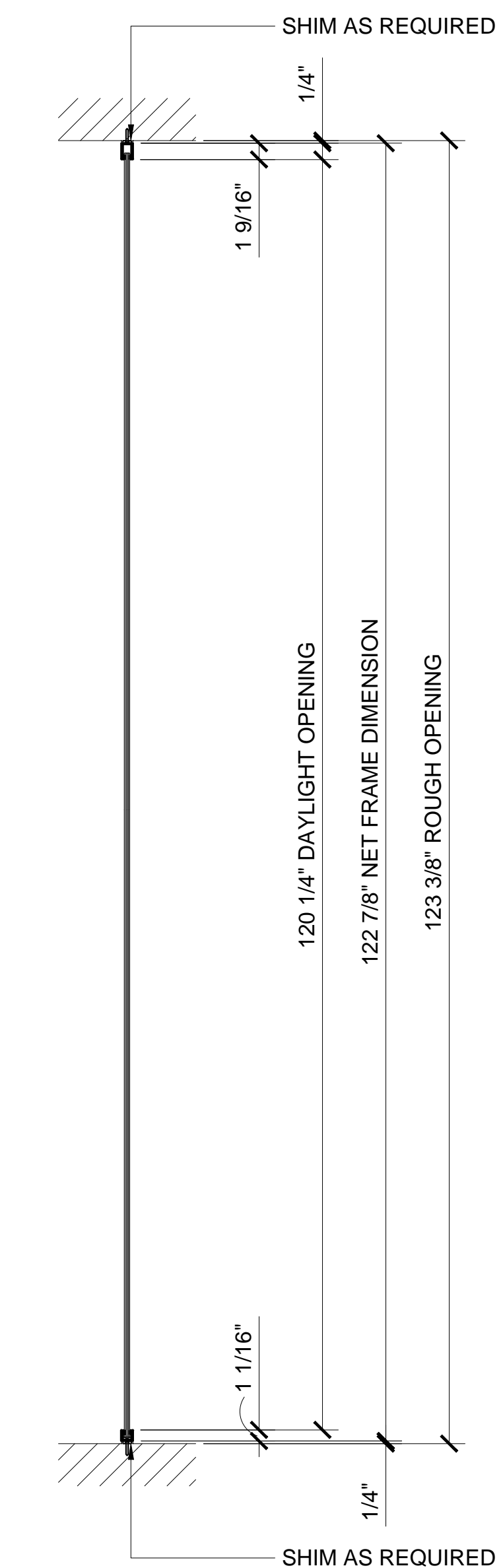
① PLAN
 ARCH REF: 1"=1'-0"



② ELEVATION
 ARCH REF: 1"=1'-0"



③ DOOR SECTION
 ARCH REF: 1"=1'-0"



④ SIDELITE SECTION
 ARCH REF: 1"=1'-0"

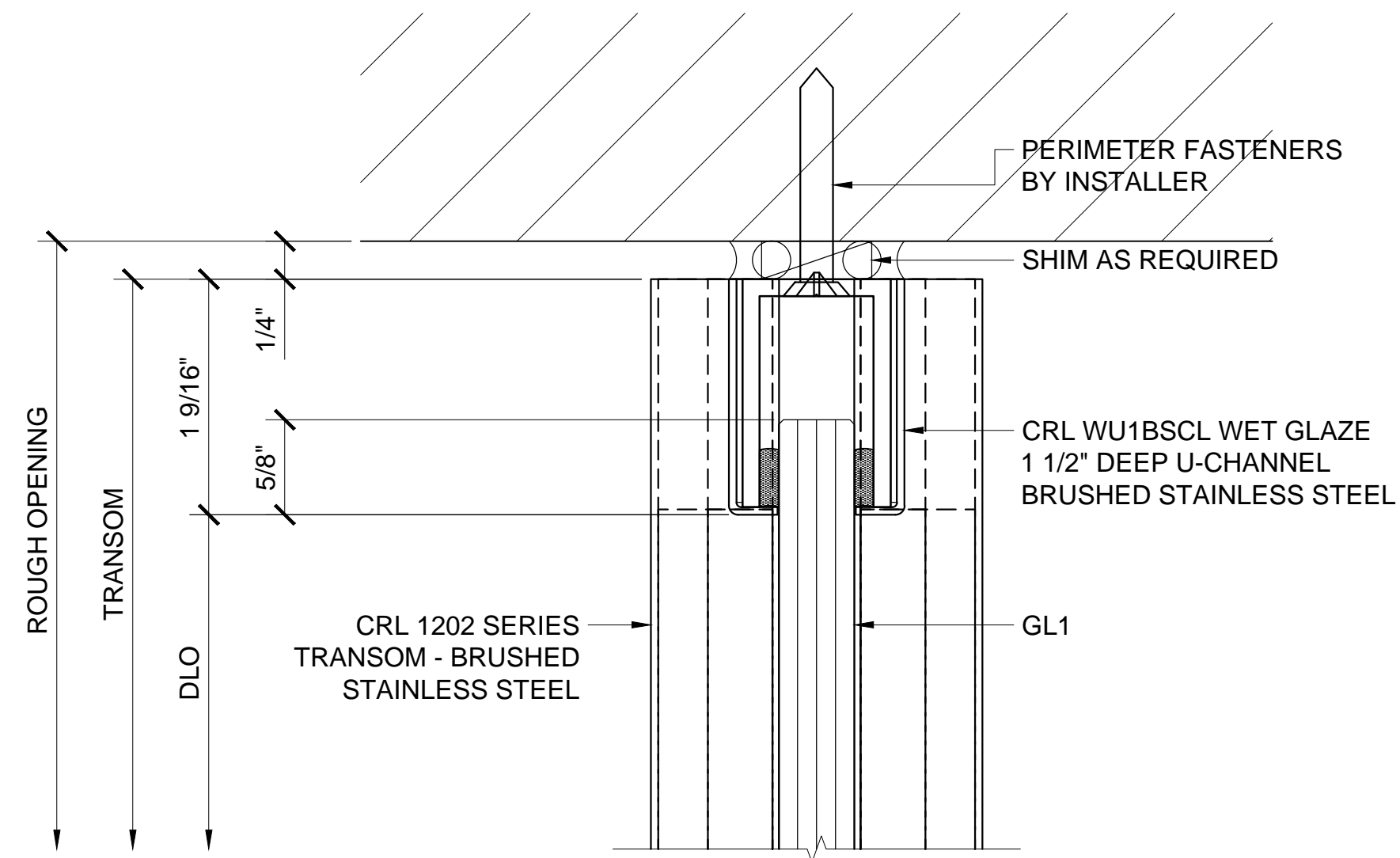
Revisions By:



Discription:
 1202 SERIES SWINGING
 DOUBLE GLASS DOOR
 W/ TRANSOM & W SIDELITE
 ON ONE SIDE

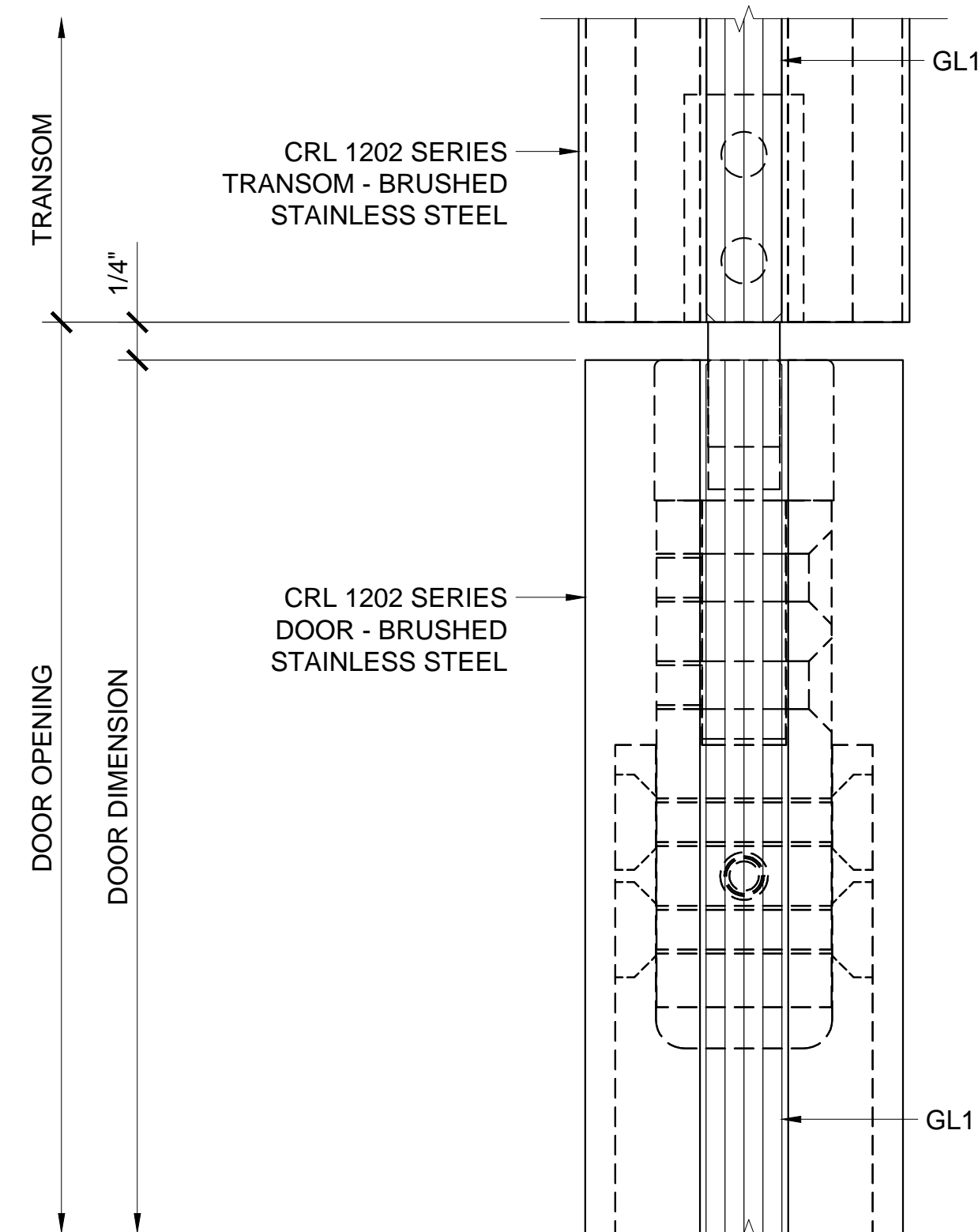
Drawn By: AAD
 Date: 10/21/15
 Scale: AS NOTED
 File Name: 3-1202 Series Swinging
 Double Glass Door- W Transom &
 W Sidelite.dwg

Sheet



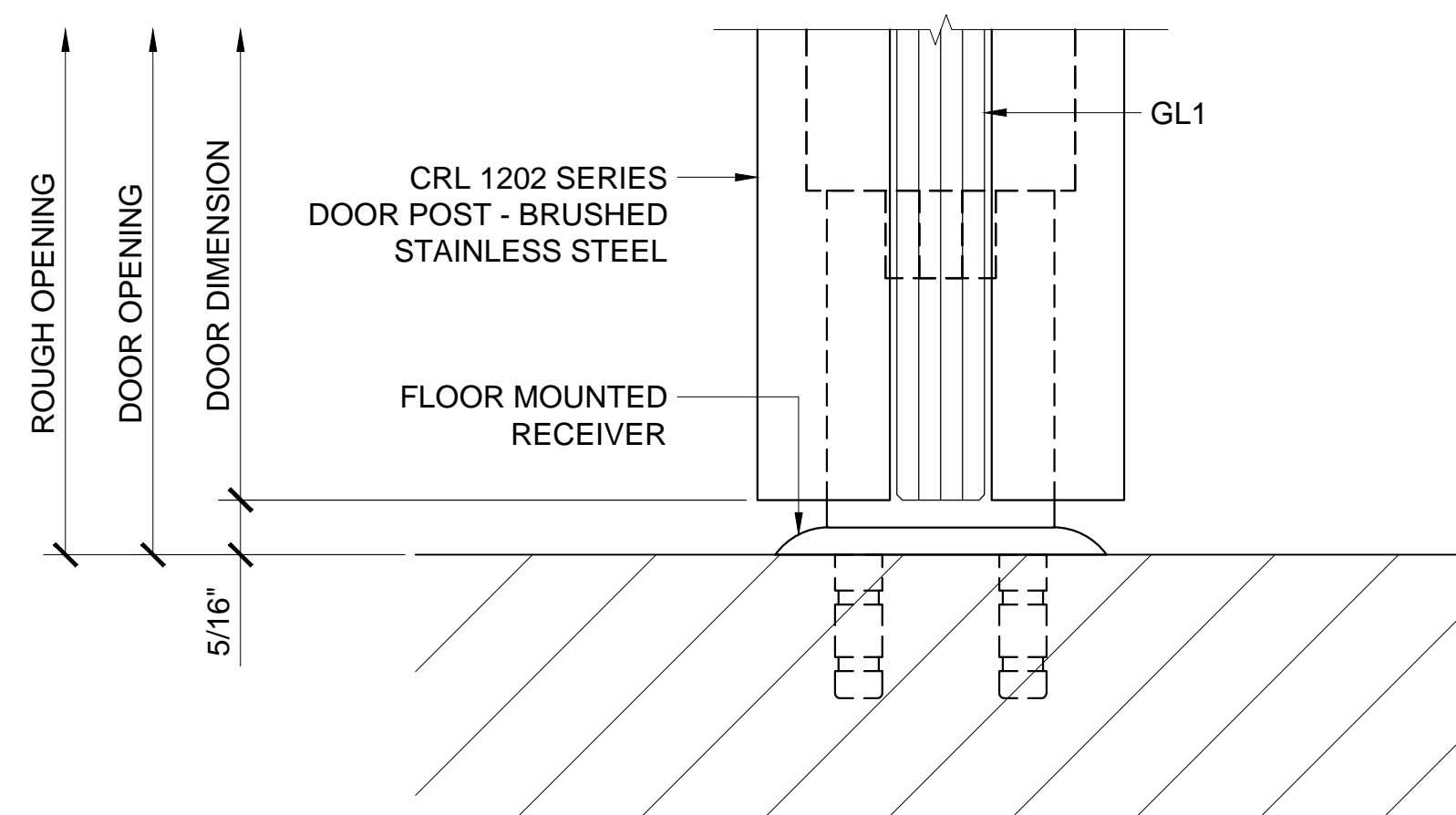
① TRANSOM HEAD DETAIL

ARCH REF: 1'-0"=1'-0"



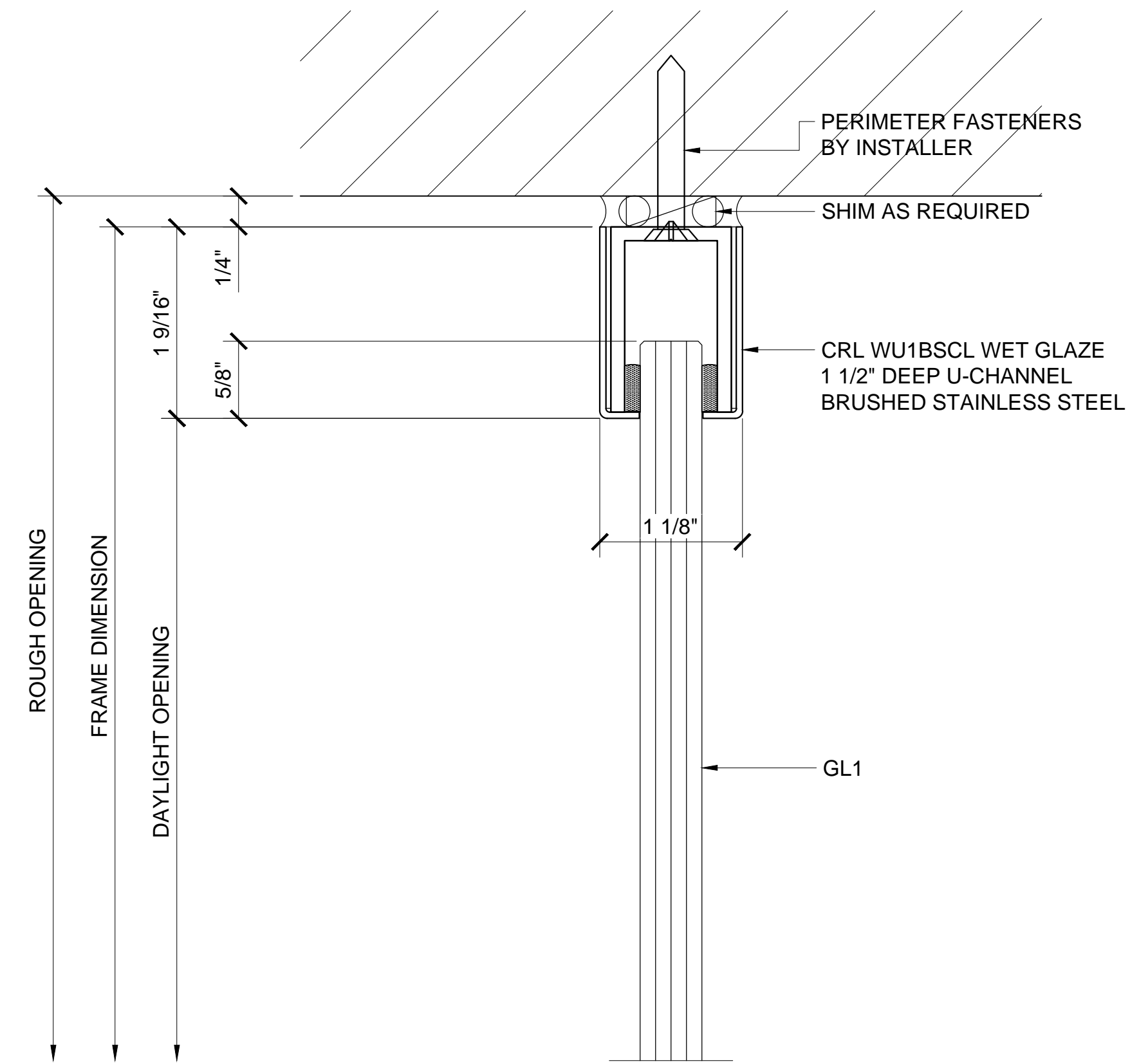
② DOOR HEAD AT TRANSOM DETAIL

ARCH REF: 1'-0"=1'-0"



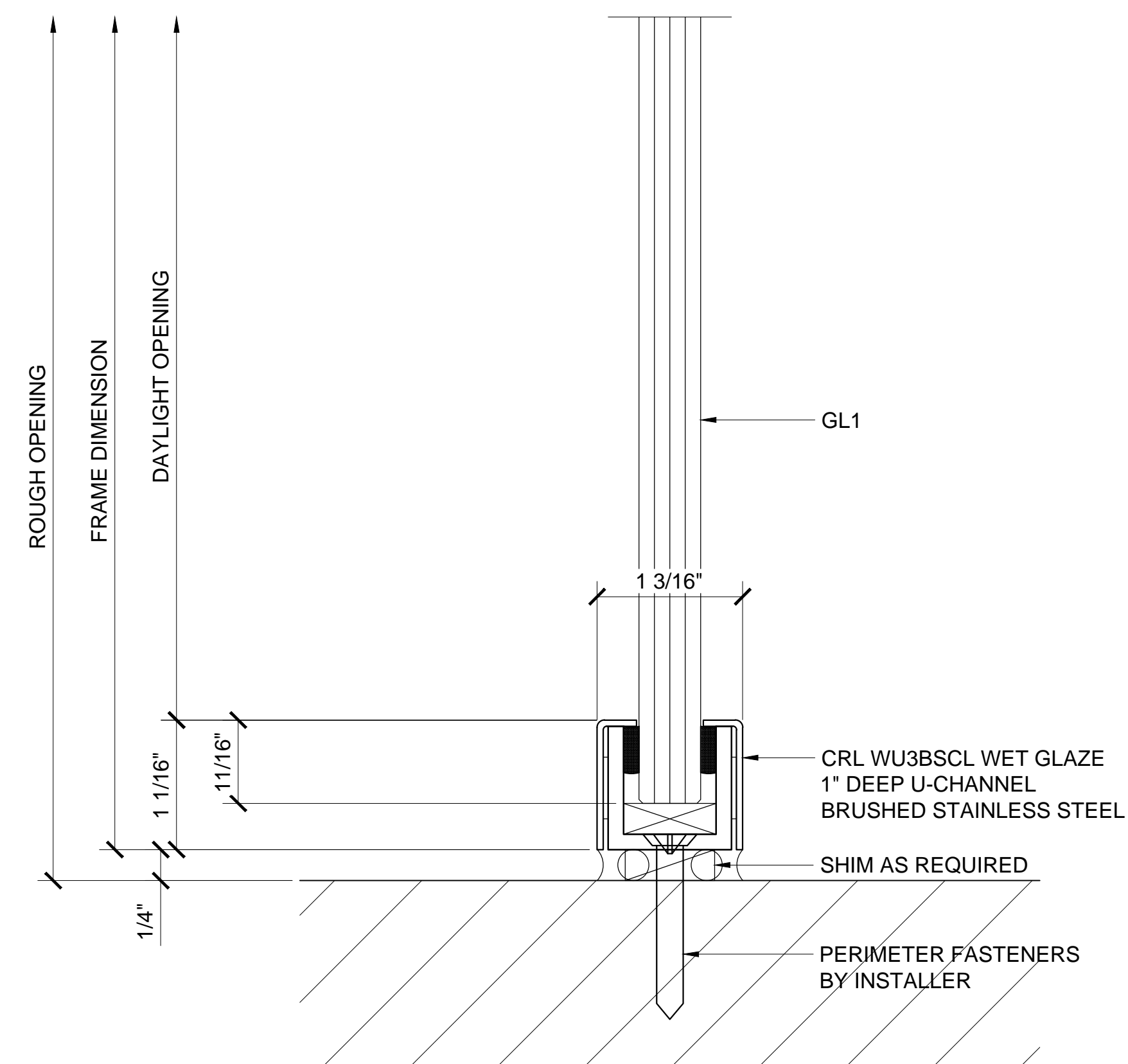
③ DOOR SILL DETAIL

ARCH REF: 1'-0"=1'-0"



④ SIDELITE HEAD DETAIL

ARCH REF: 1'-0"=1'-0"



⑤ SIDELITE SILL DETAIL

ARCH REF: 1'-0"=1'-0"

Revisions By:

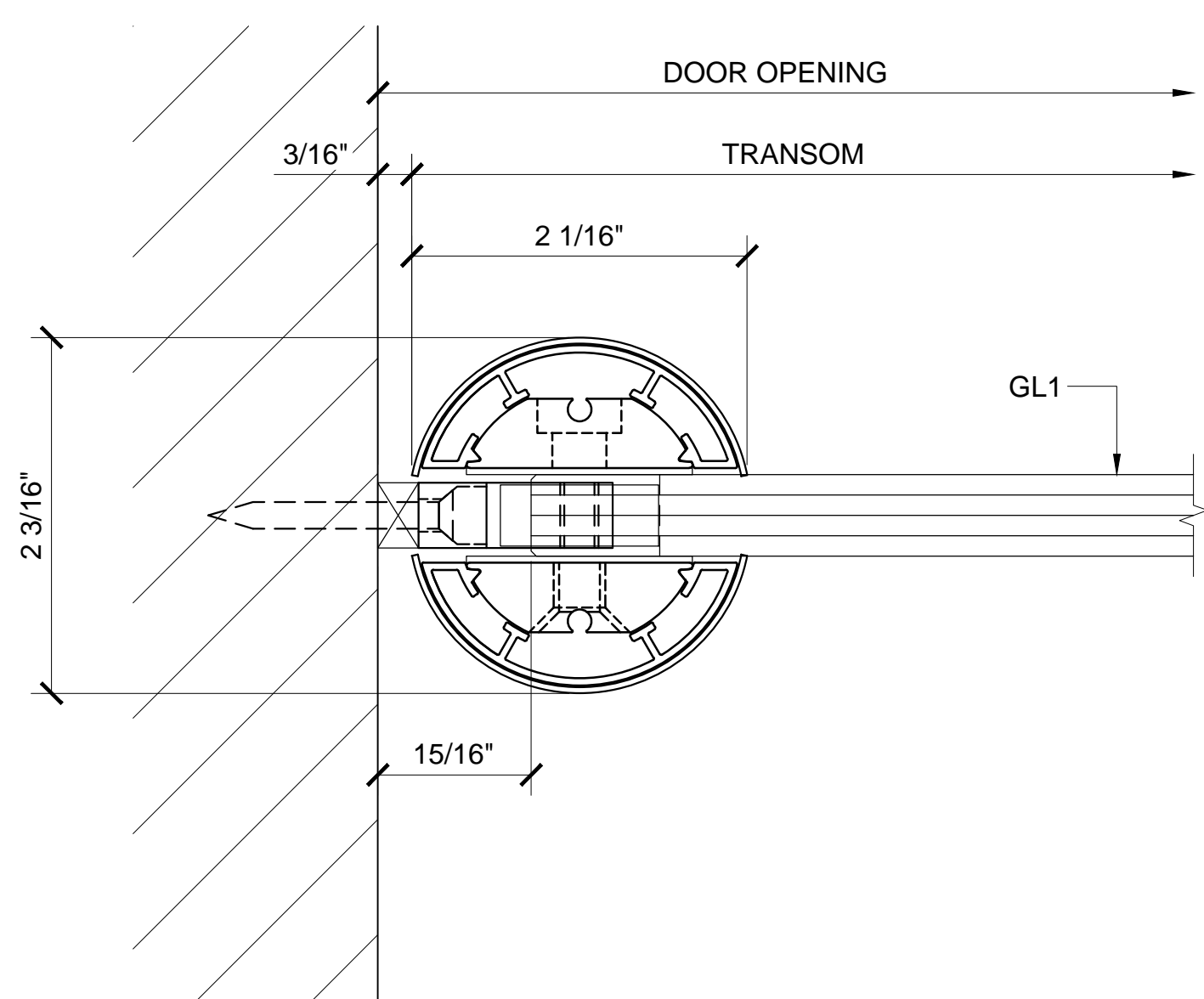


Description:
 1202 SERIES SWINGING
 DOUBLE GLASS DOOR
 W/ TRANSOM & W SIDELITE
 ON ONE SIDE

Drawn By: AAD
 Date: 10/21/15
 Scale: AS NOTED
 File Name: 3-1202 Series Swinging
 Double Glass Door - W Transom &
 W Sidelite.dwg

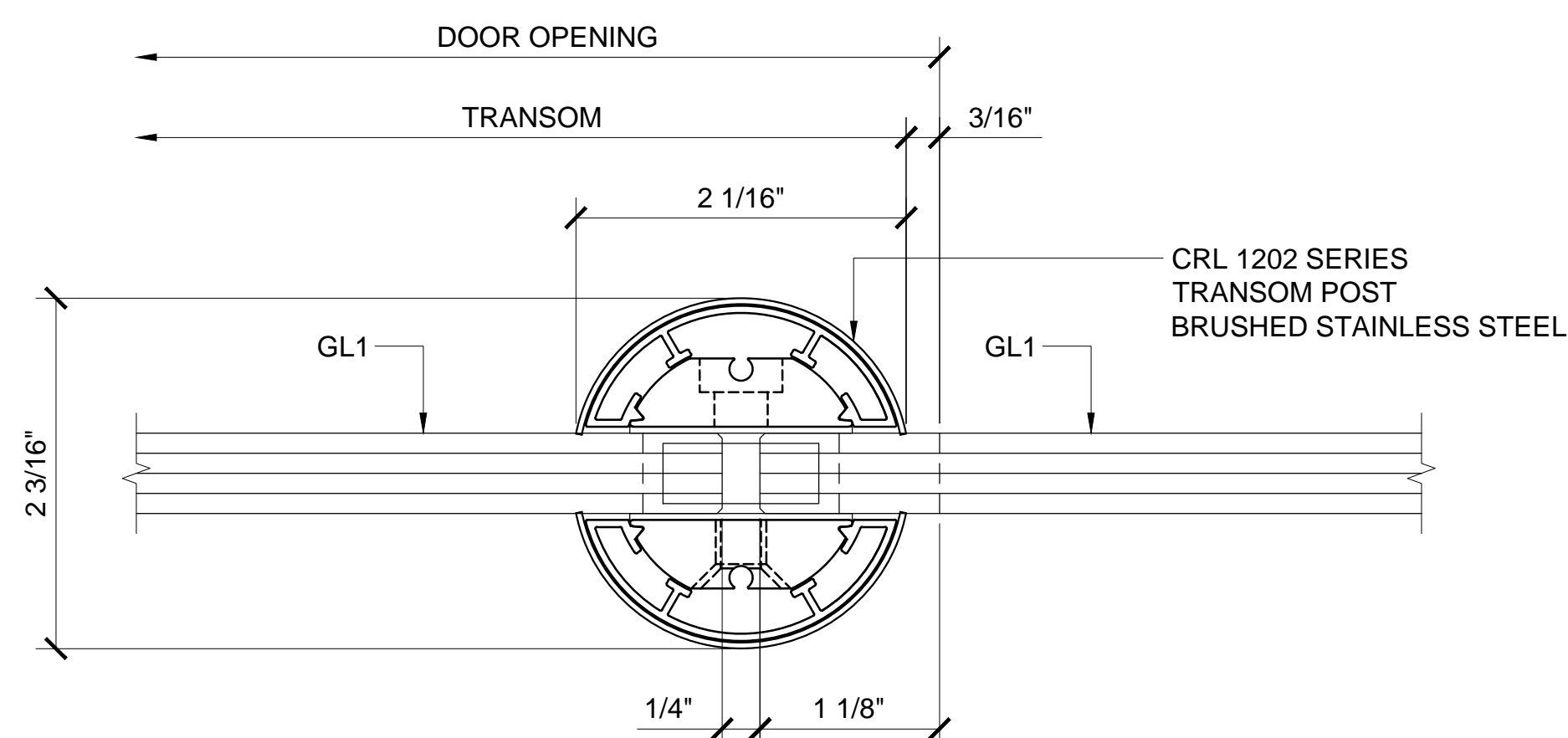
Sheet

Revisions By:



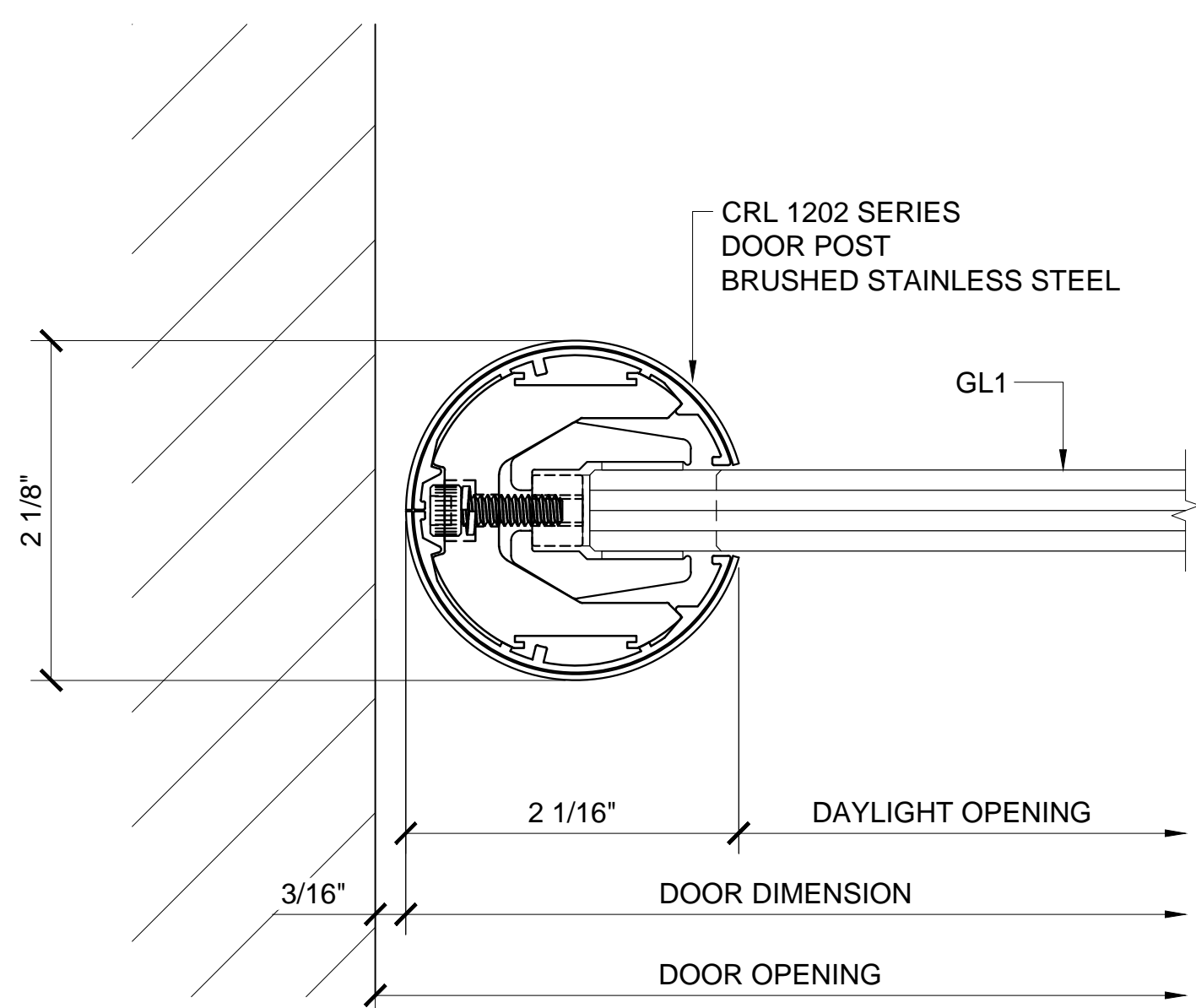
5 TRANSOM POST SECTION AT WALL DETAIL

ARCH REF: 1'-0"=1'-0"



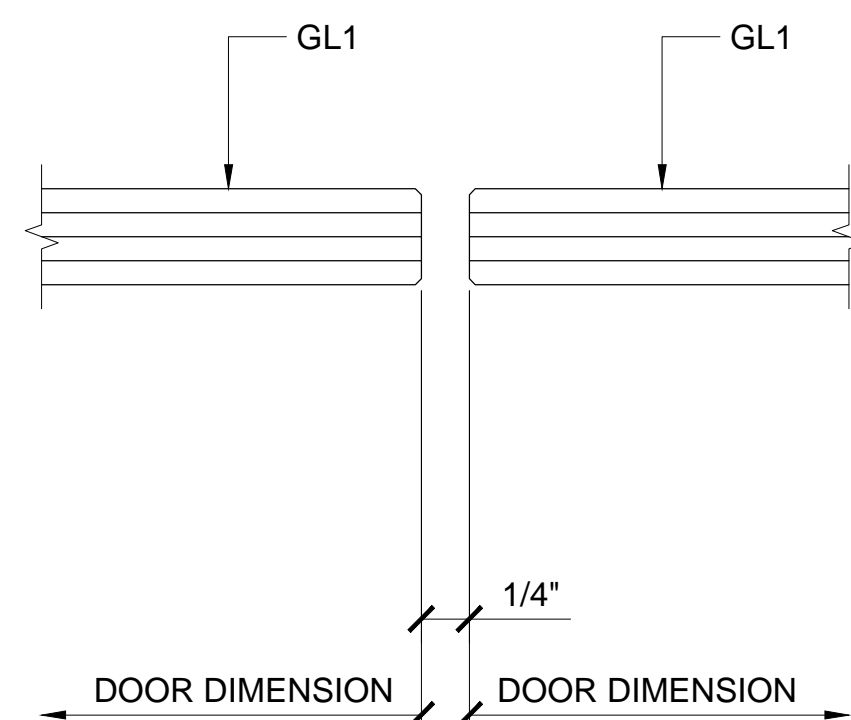
6 TRANSOM POST SECTION AT SIDELITE DETAIL

ARCH REF: 1'-0"=1'-0"



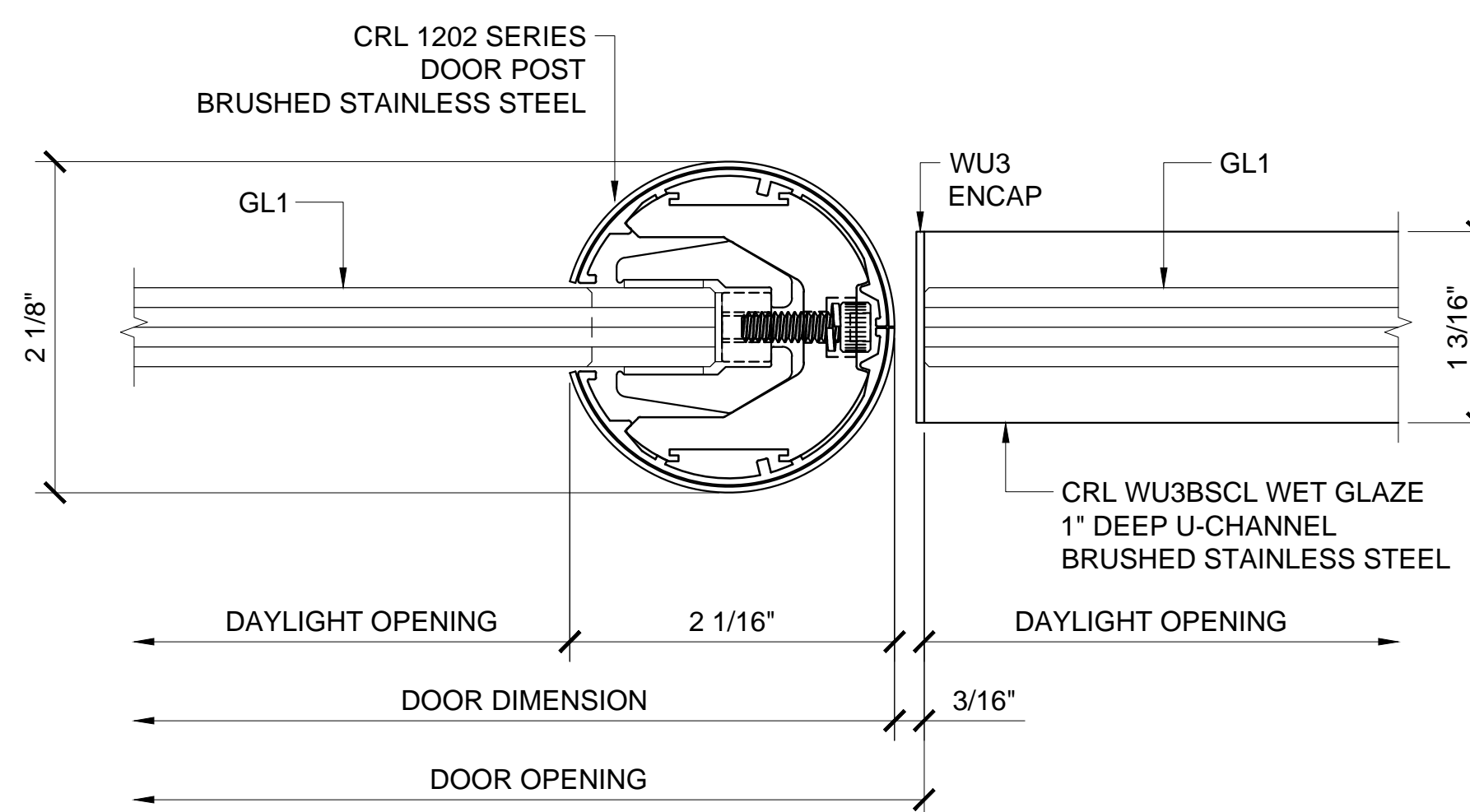
1 DOOR PIVOT POST SECTION DETAIL

ARCH REF: 1'-0"=1'-0"



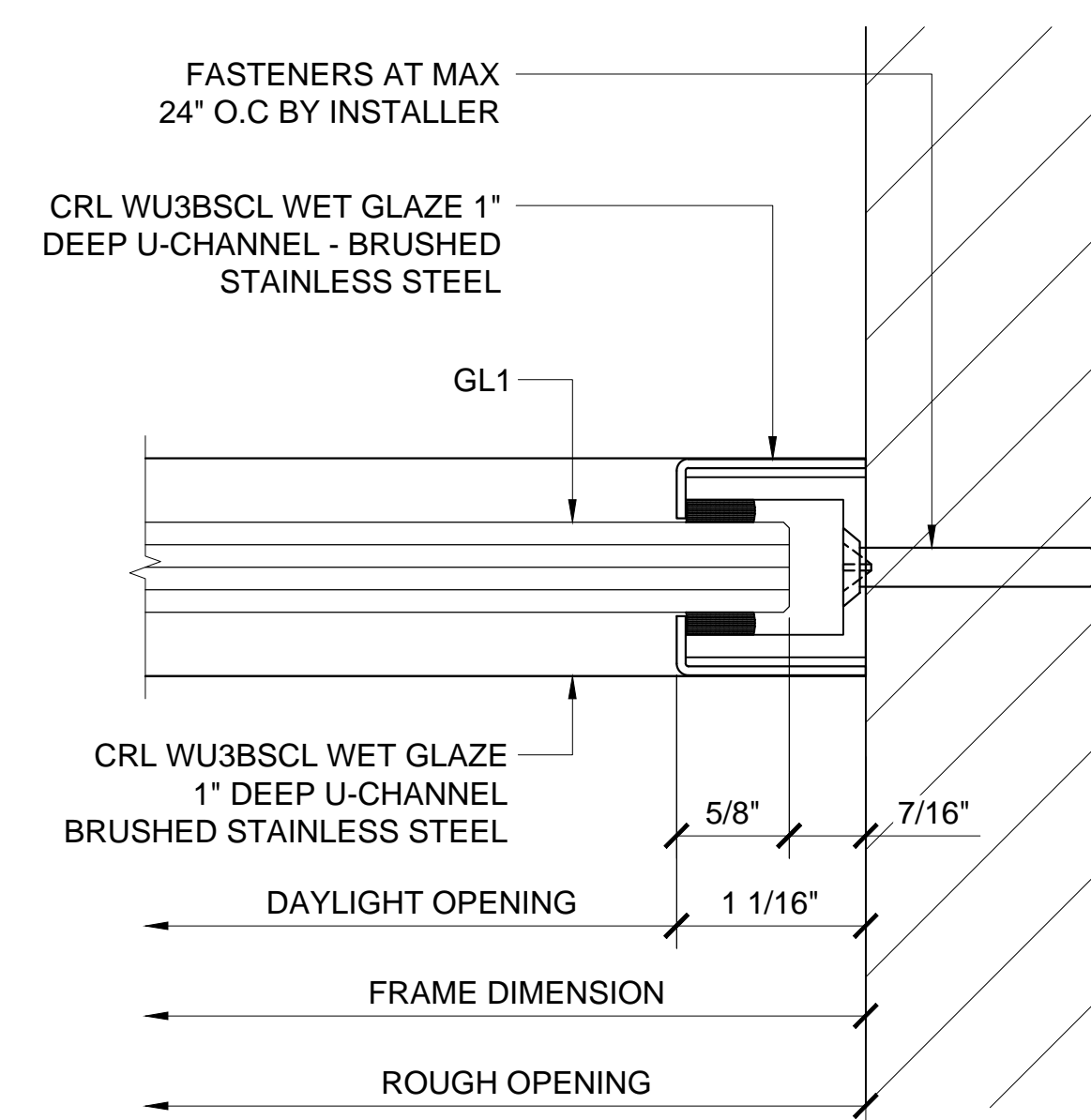
2 MEETING STILES

ARCH REF: 1'-0"=1'-0"



3 DOOR PIVOT POST SECTION DETAIL

ARCH REF: 1'-0"=1'-0"



4 WALL JAMB DETAIL

ARCH REF: 1'-0"=1'-0"

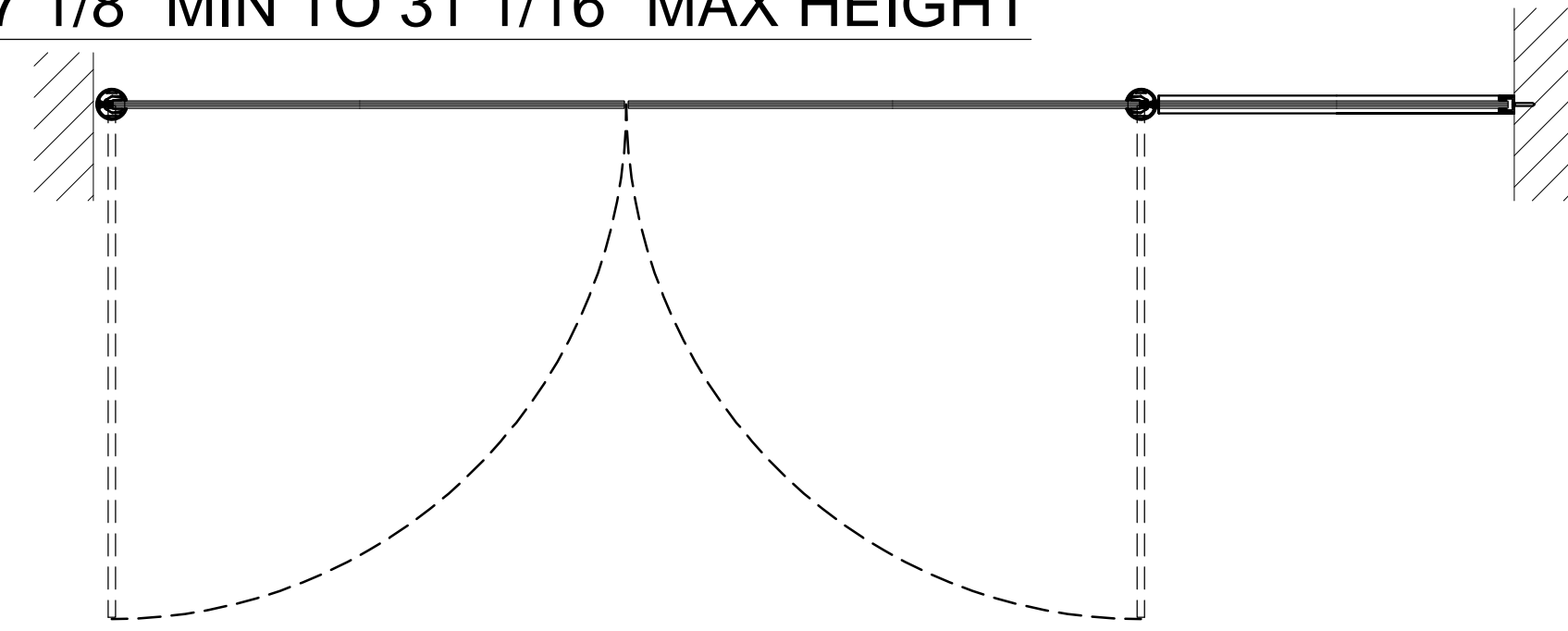
Description:
1202 SERIES SWINGING
DOUBLE GLASS DOOR
W/ TRANSOM & W SIDELITE
ON ONE SIDE

Drawn By: AAD
Date: 10/21/15
Scale: AS NOTED
File Name: 3-1202 Series Swinging
Double Glass Door - W Transom &
W Sidelite.dwg

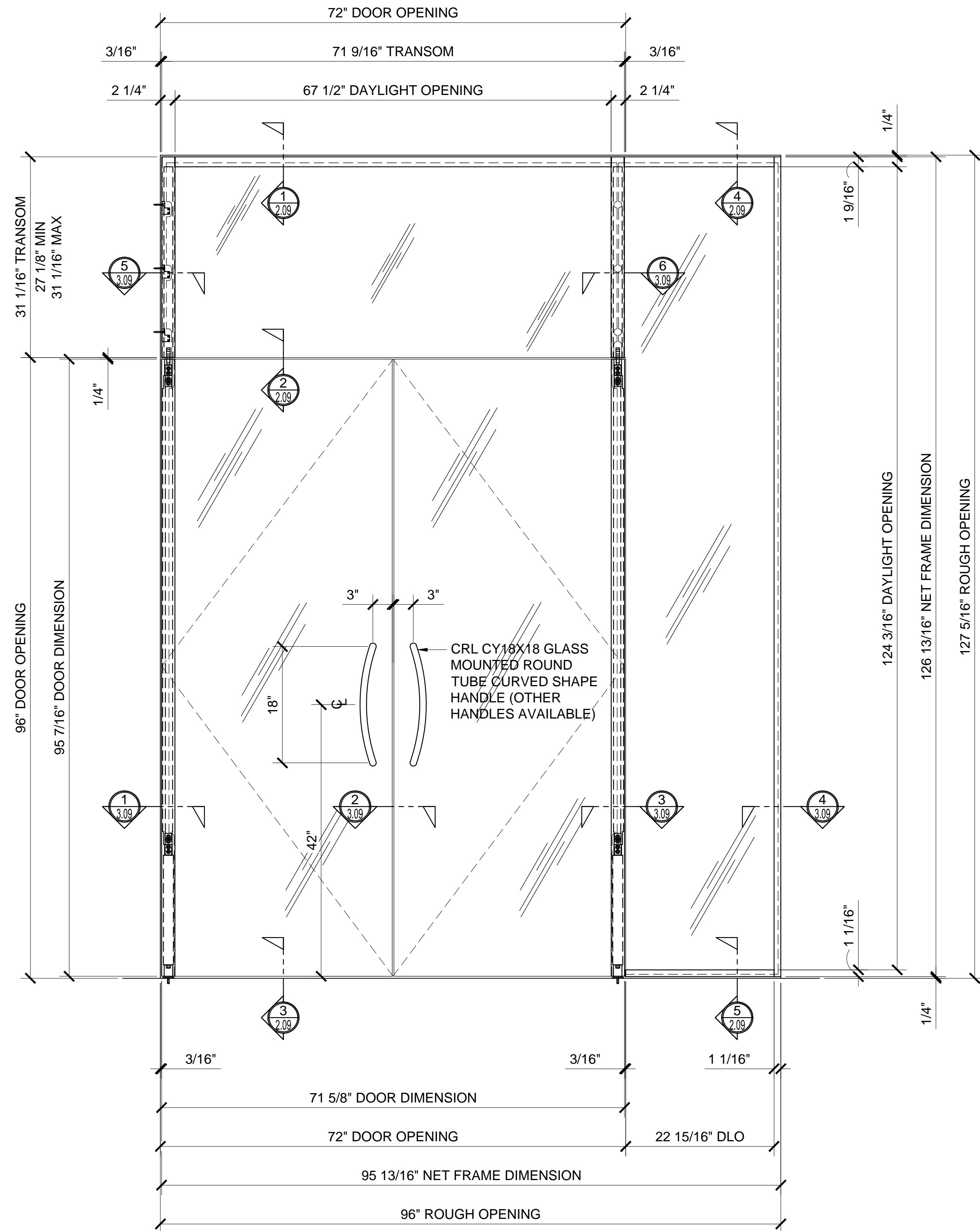
Sheet



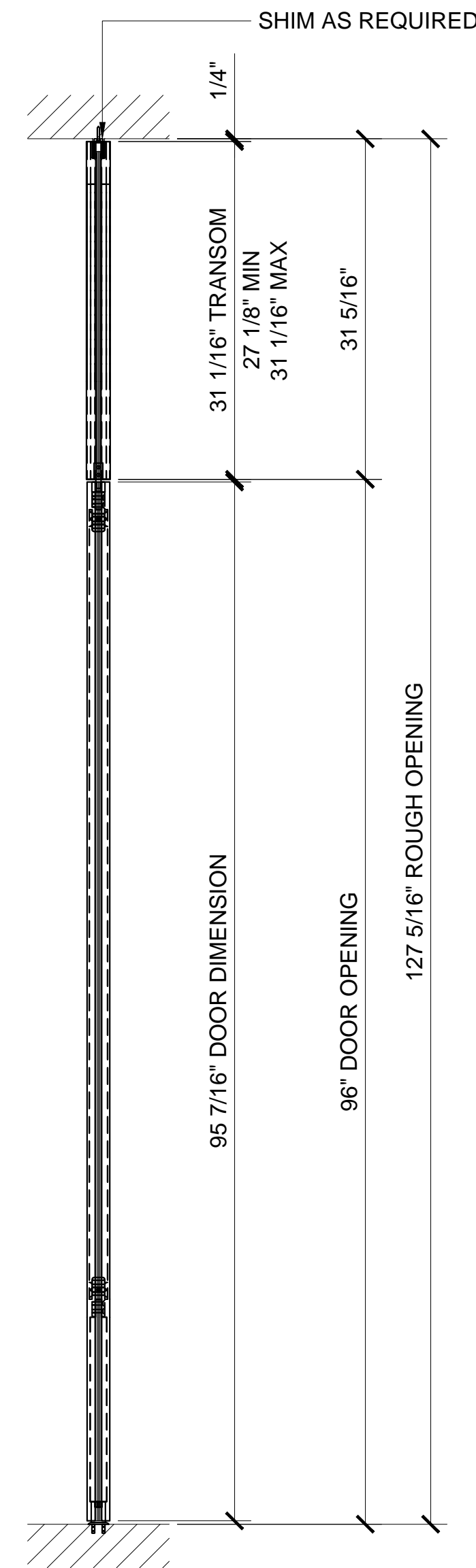
1202 SERIES SWINGING DOUBLE GLASS DOOR - W/ X-LARGE TRANSOM & W/ SIDELITE
 27 1/8" MIN TO 31 1/16" MAX HEIGHT



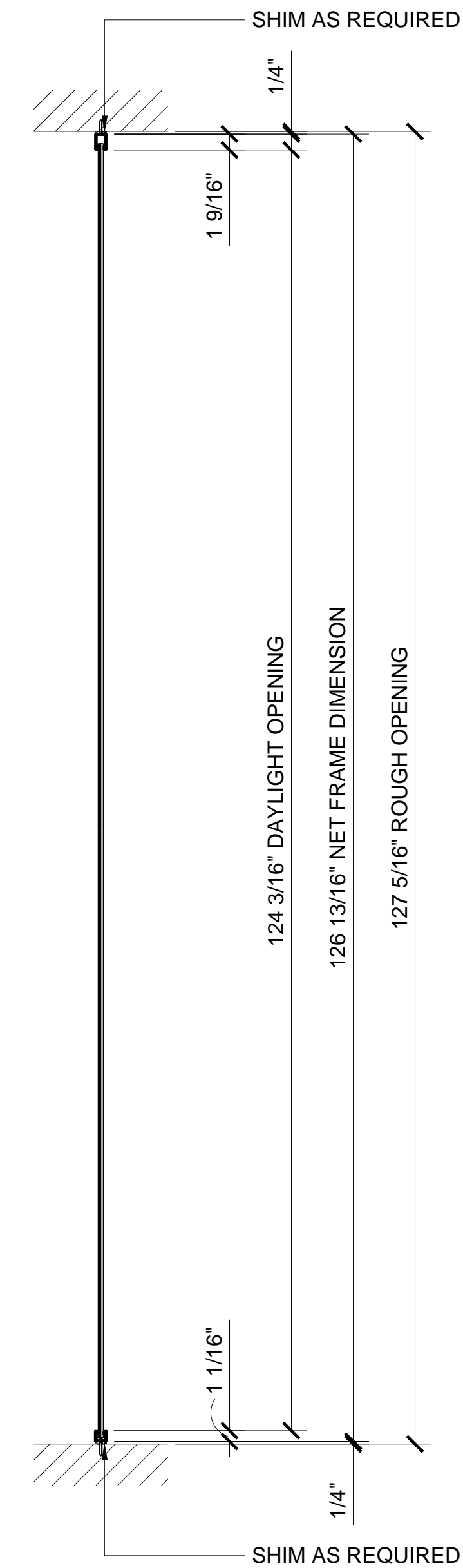
① PLAN
 ARCH REF: 1"=1'-0"



② ELEVATION
 ARCH REF: 1"=1'-0"



③ DOOR SECTION
 ARCH REF: 1"=1'-0"



④ SIDELITE SECTION
 ARCH REF: 1"=1'-0"

Revisions By:

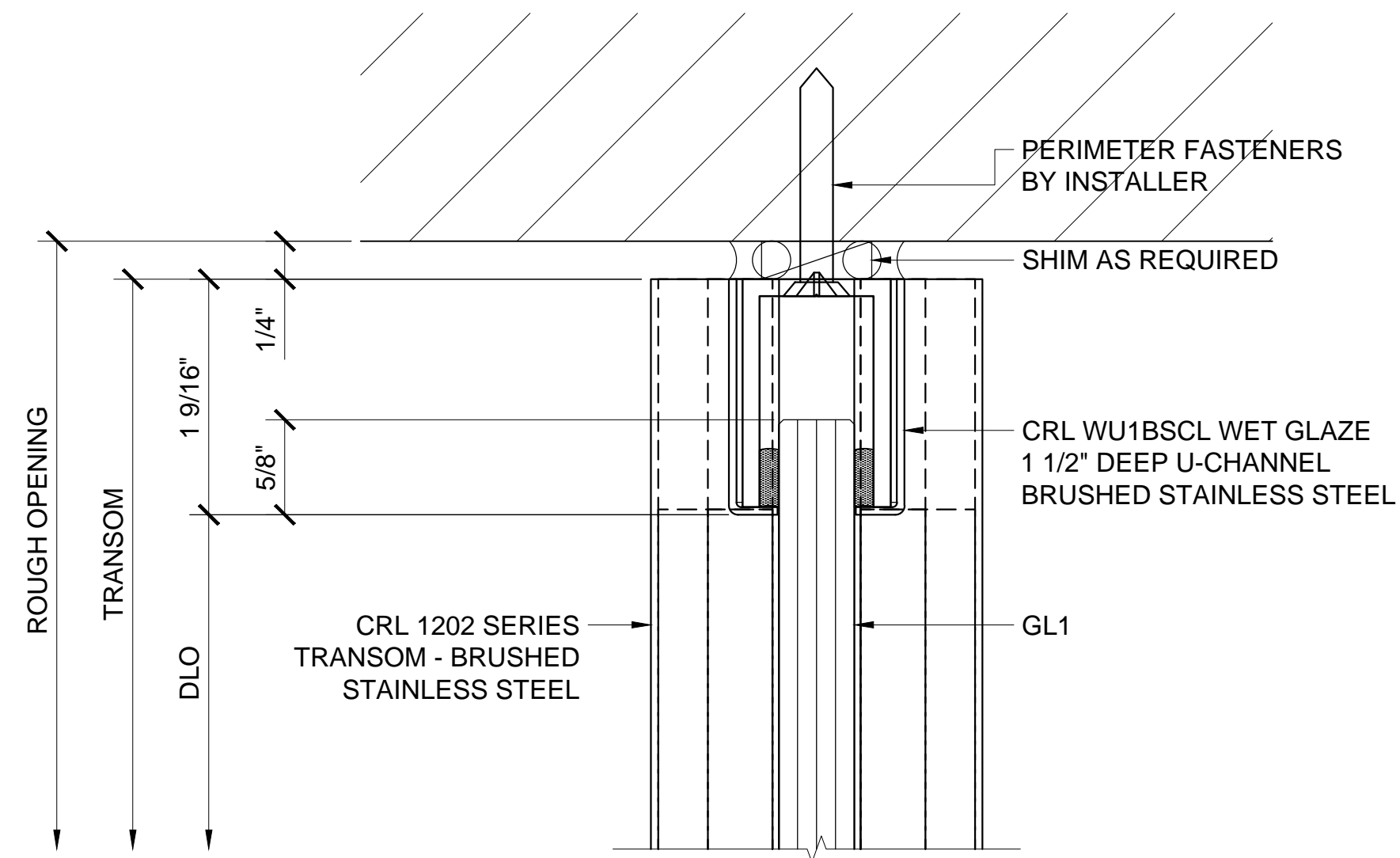


Description:
 1202 SERIES SWINGING
 DOUBLE GLASS DOOR
 W/ TRANSOM & W SIDELITE
 ON ONE SIDE

Drawn By: AAD
 Date: 10/21/15
 Scale: AS NOTED
 File Name: 3-1202 Series Swinging
 Double Glass Door- W Transom &
 W Sidelite.dwg

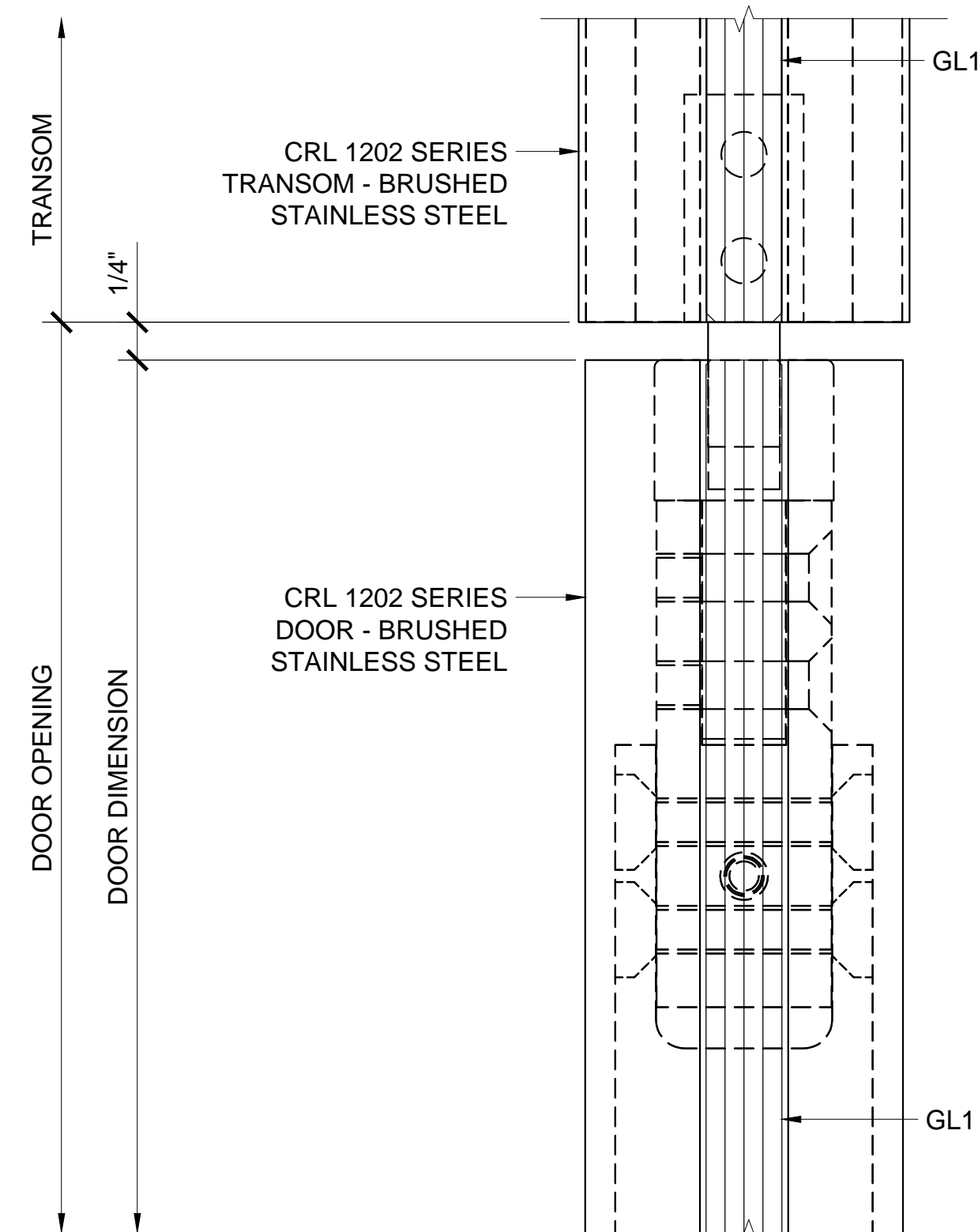
Sheet

1.09



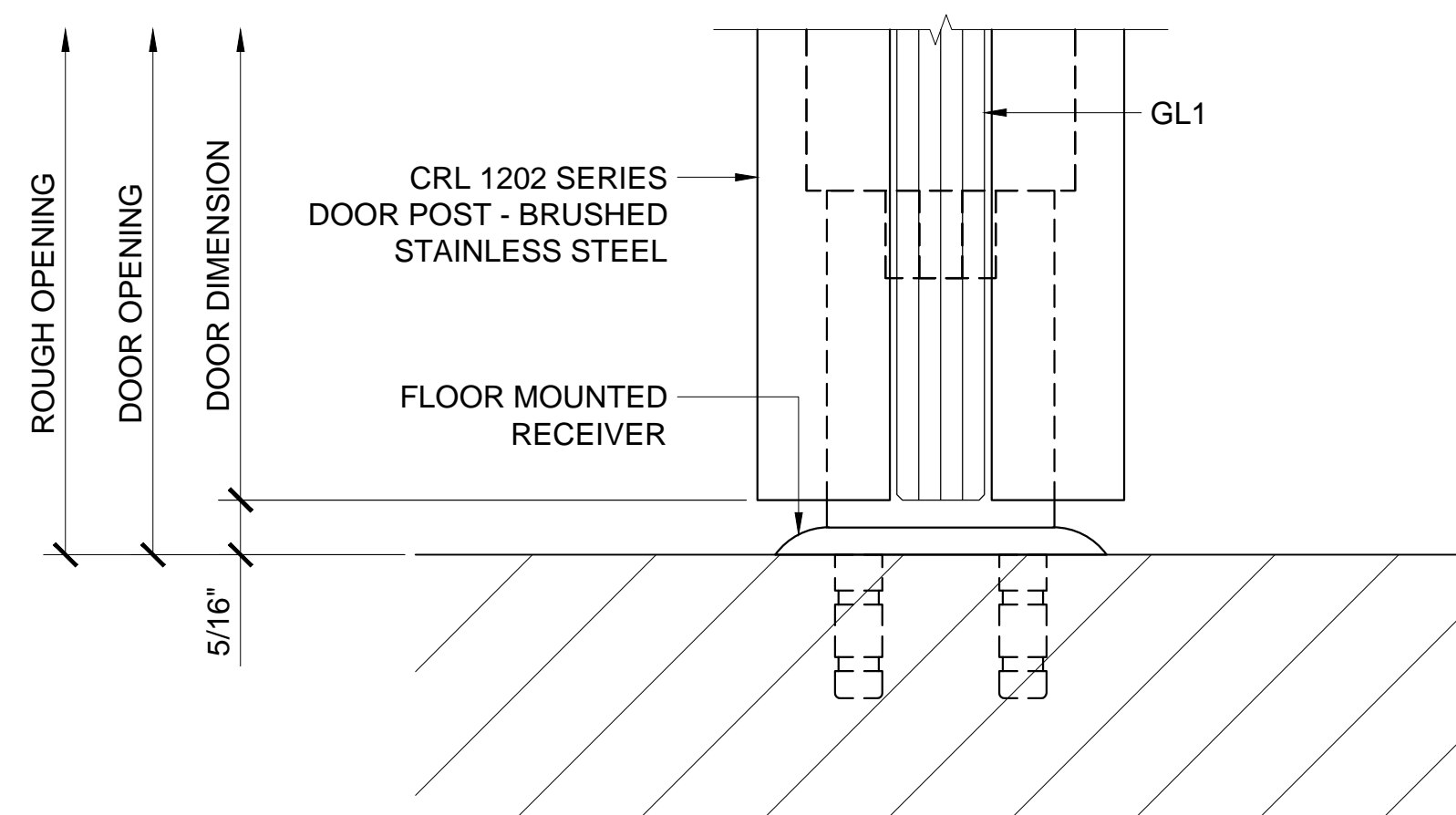
① TRANSOM HEAD DETAIL

ARCH REF: 1'-0"=1'-0"



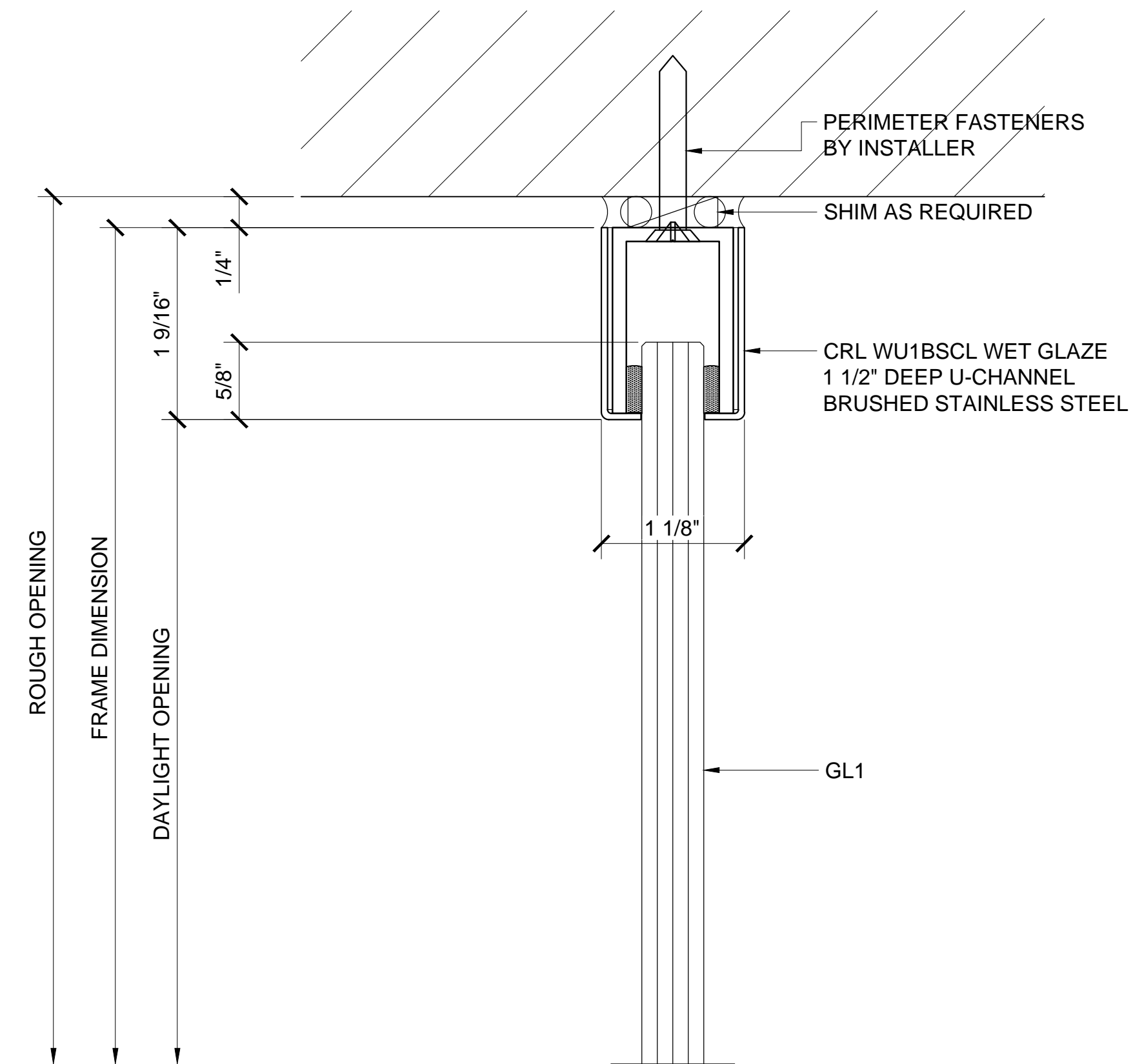
② DOOR HEAD AT TRANSOM DETAIL

ARCH REF: 1'-0"=1'-0"



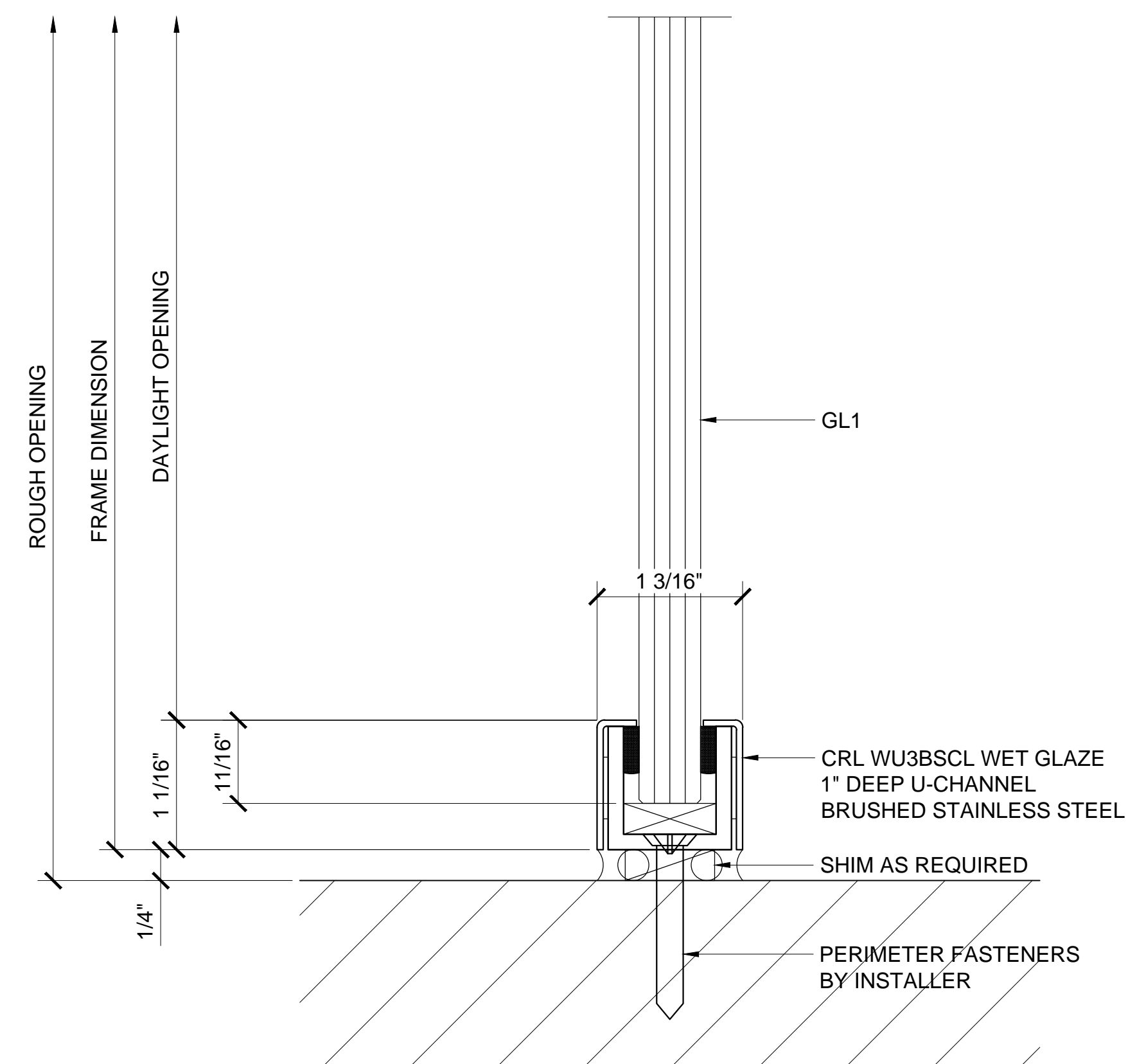
③ DOOR SILL DETAIL

ARCH REF: 1'-0"=1'-0"



④ SIDELITE HEAD DETAIL

ARCH REF: 1'-0"=1'-0"



⑤ SIDELITE SILL DETAIL

ARCH REF: 1'-0"=1'-0"

Revisions By:

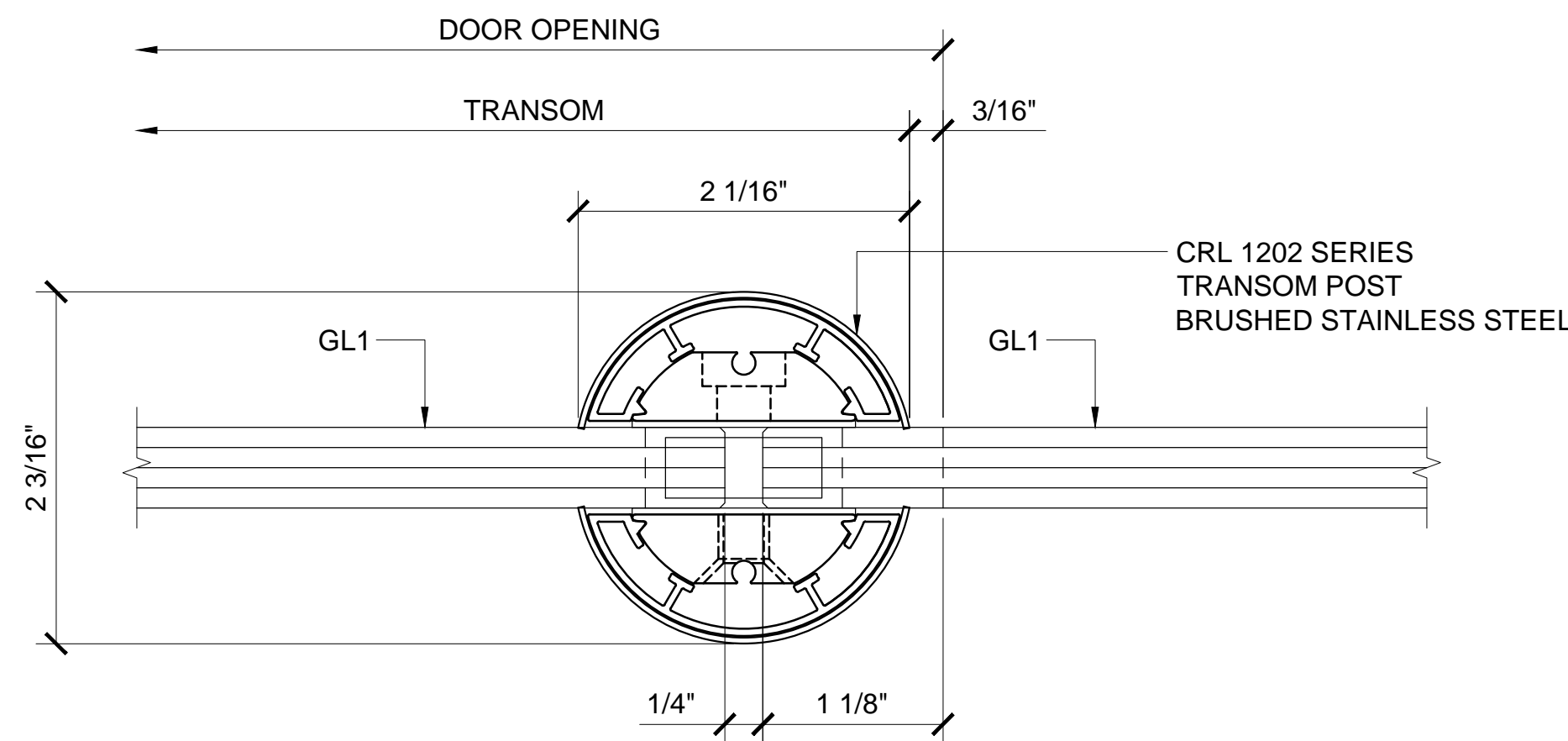
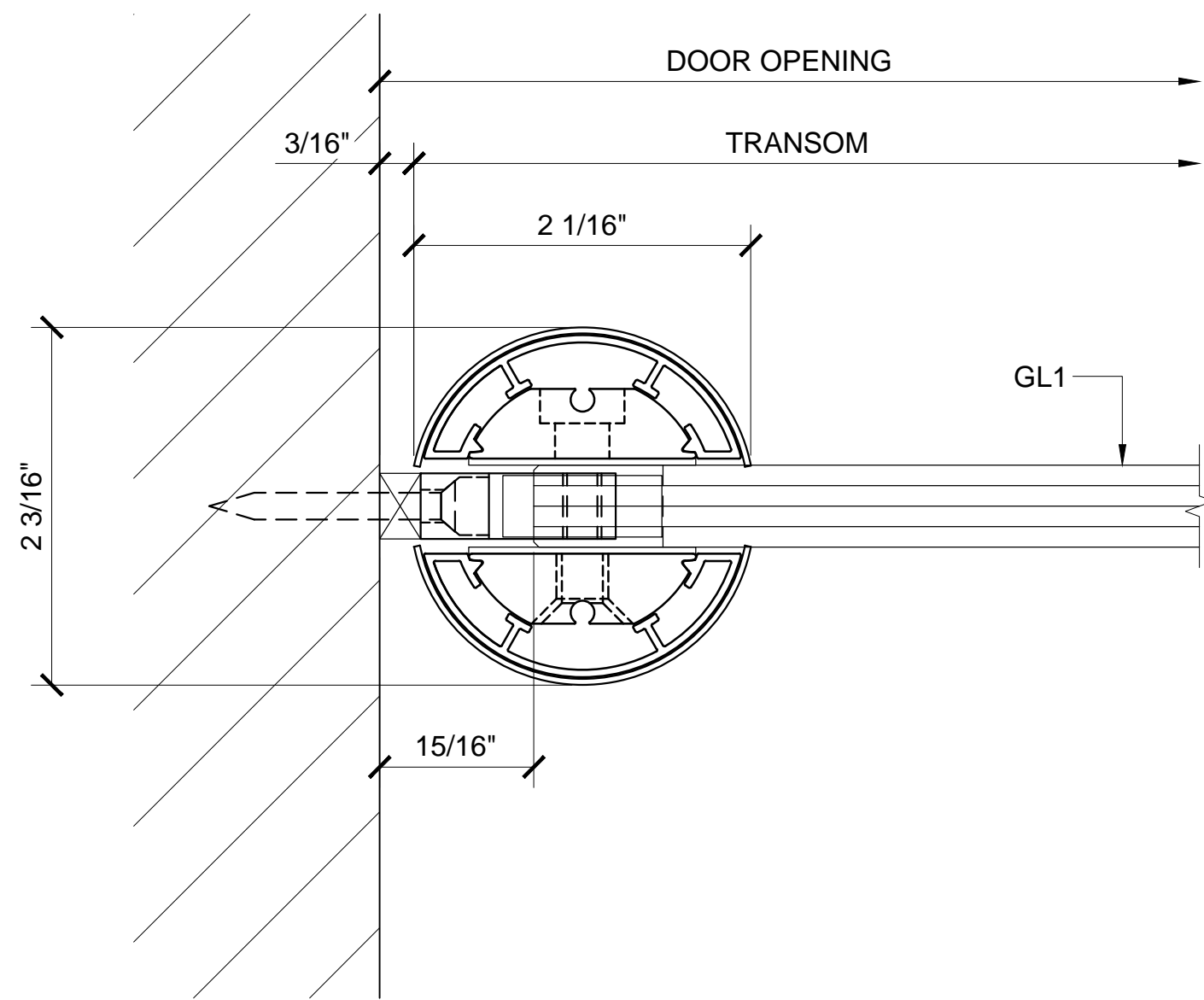


Description:
 1202 SERIES SWINGING
 DOUBLE GLASS DOOR
 W/ TRANSOM & W SIDELITE
 ON ONE SIDE

Drawn By: AAD
 Date: 10/21/15
 Scale: AS NOTED
 File Name: 3-1202 Series Swinging
 Double Glass Door - W Transom &
 W Sidelite.dwg

Sheet

Revisions By:

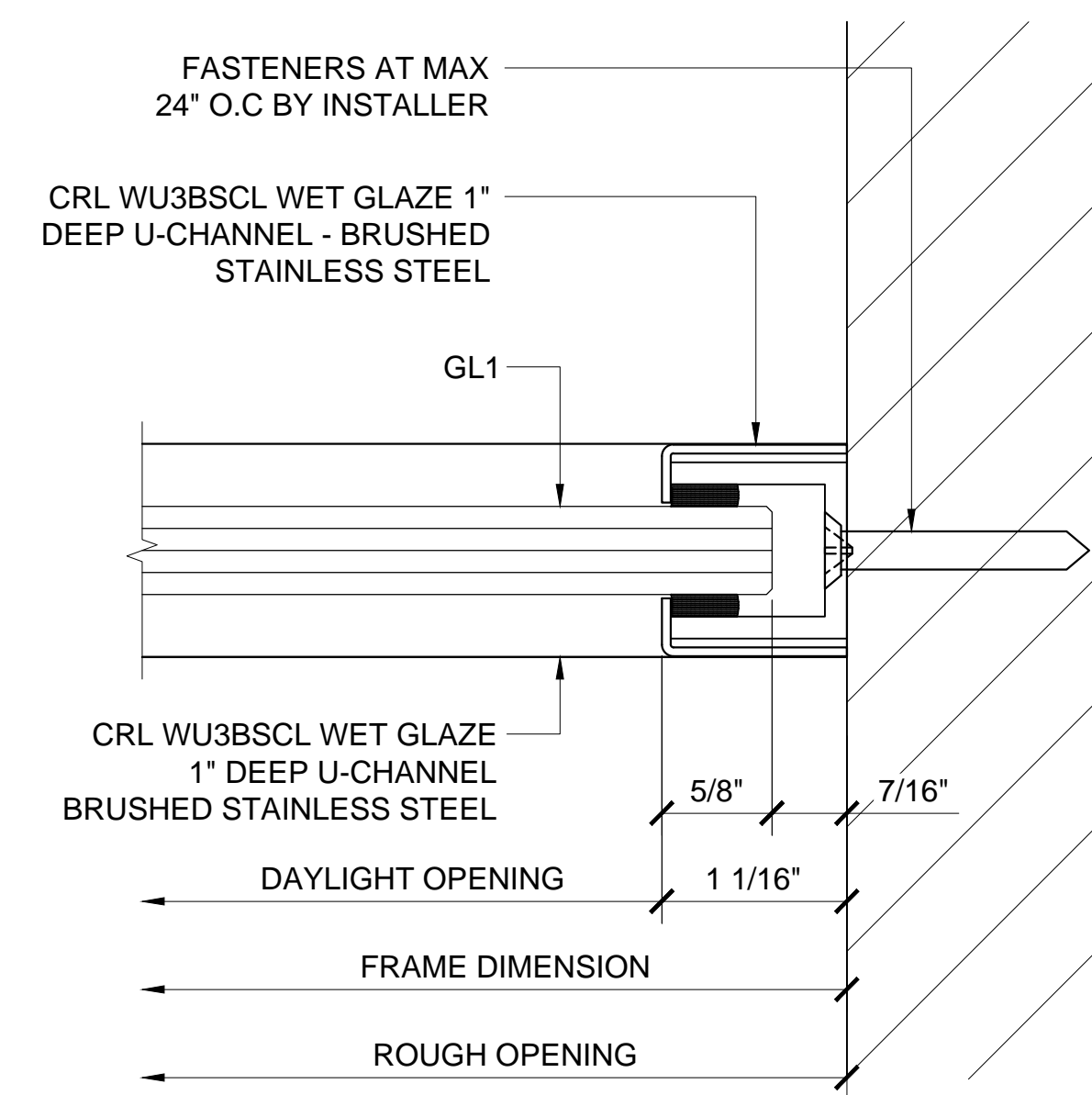
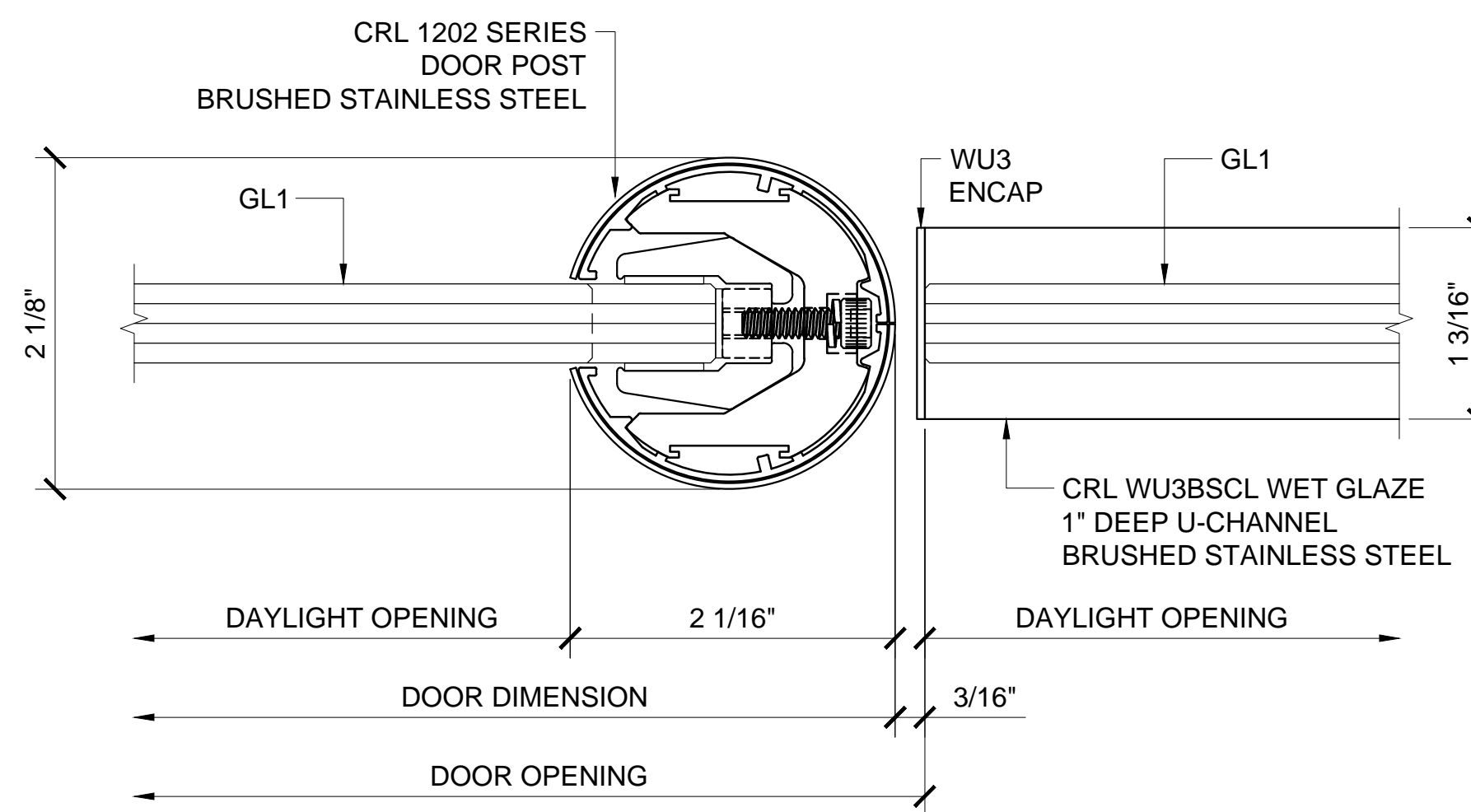
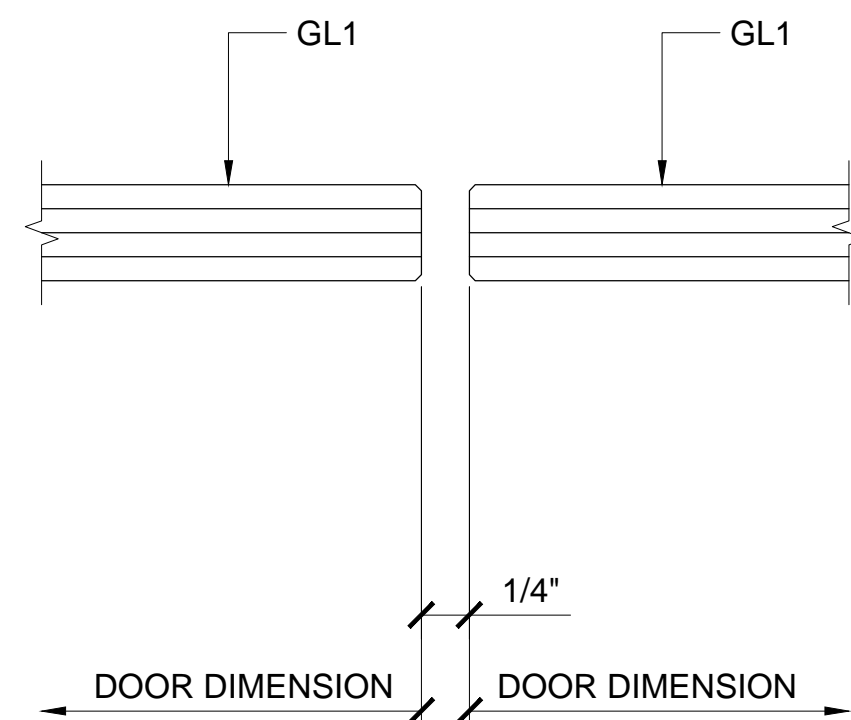
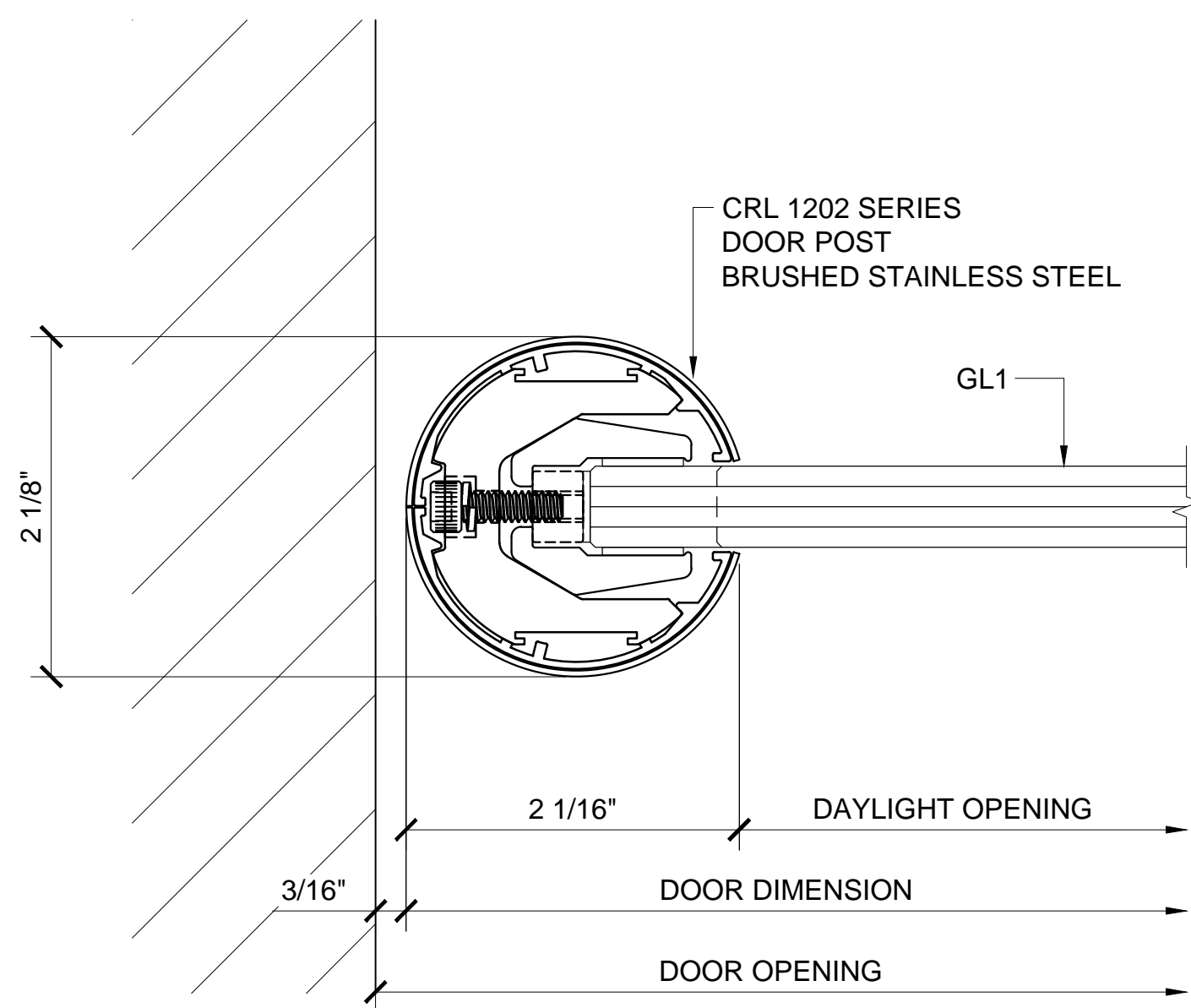


⑤ TRANSOM POST SECTION AT WALL DETAIL

ARCH REF: 1'-0"=1'-0"

⑥ TRANSOM POST SECTION AT SIDELITE DETAIL

ARCH REF: 1'-0"=1'-0"



① DOOR PIVOT POST SECTION DETAIL

ARCH REF: 1'-0"=1'-0"

② MEETING STILES

ARCH REF: 1'-0"=1'-0"

③ DOOR PIVOT POST SECTION DETAIL

ARCH REF: 1'-0"=1'-0"

④ WALL JAMB DETAIL

ARCH REF: 1'-0"=1'-0"

Description:
1202 SERIES SWINGING
DOUBLE GLASS DOOR
W/ TRANSOM & W SIDELITE
ON ONE SIDE

Drawn By: AAD
Date: 10/21/15
Scale: AS NOTED
File Name: 3-1202 Series Swinging
Double Glass Door - W Transom &
W Sidelite.dwg

Sheet