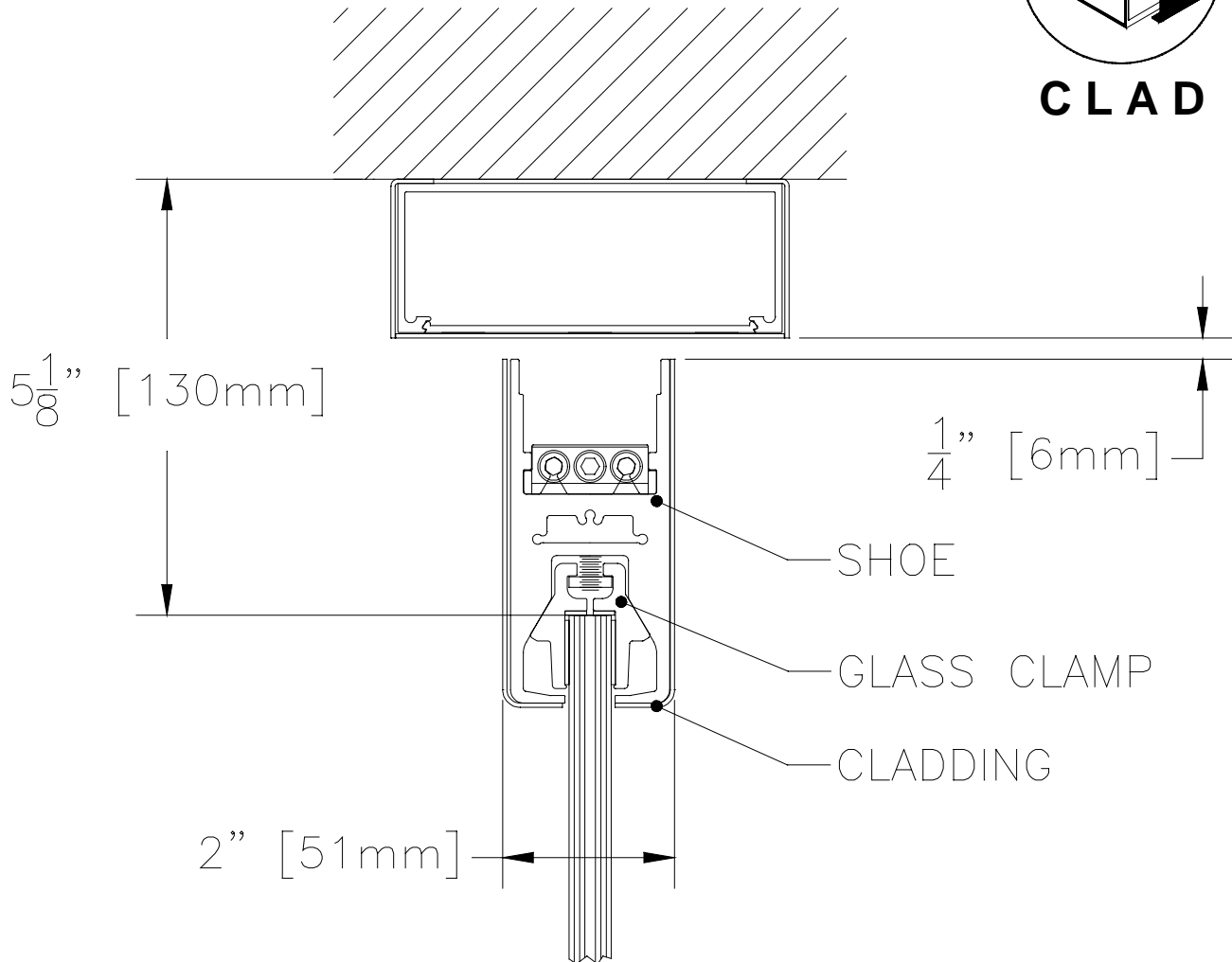


**CLAD**



4" SQUARE DOOR RAIL CLAD  
WITH CLAD HEADER

**GNL** DOOR RAIL SYSTEM

**C.R. Laurence Architectural Products**

Phone Orders (800) 421-6144

Fax Orders (800) 262-3299

WWW.CRLAURENCE.COM

Patent Pending

4SDRCH