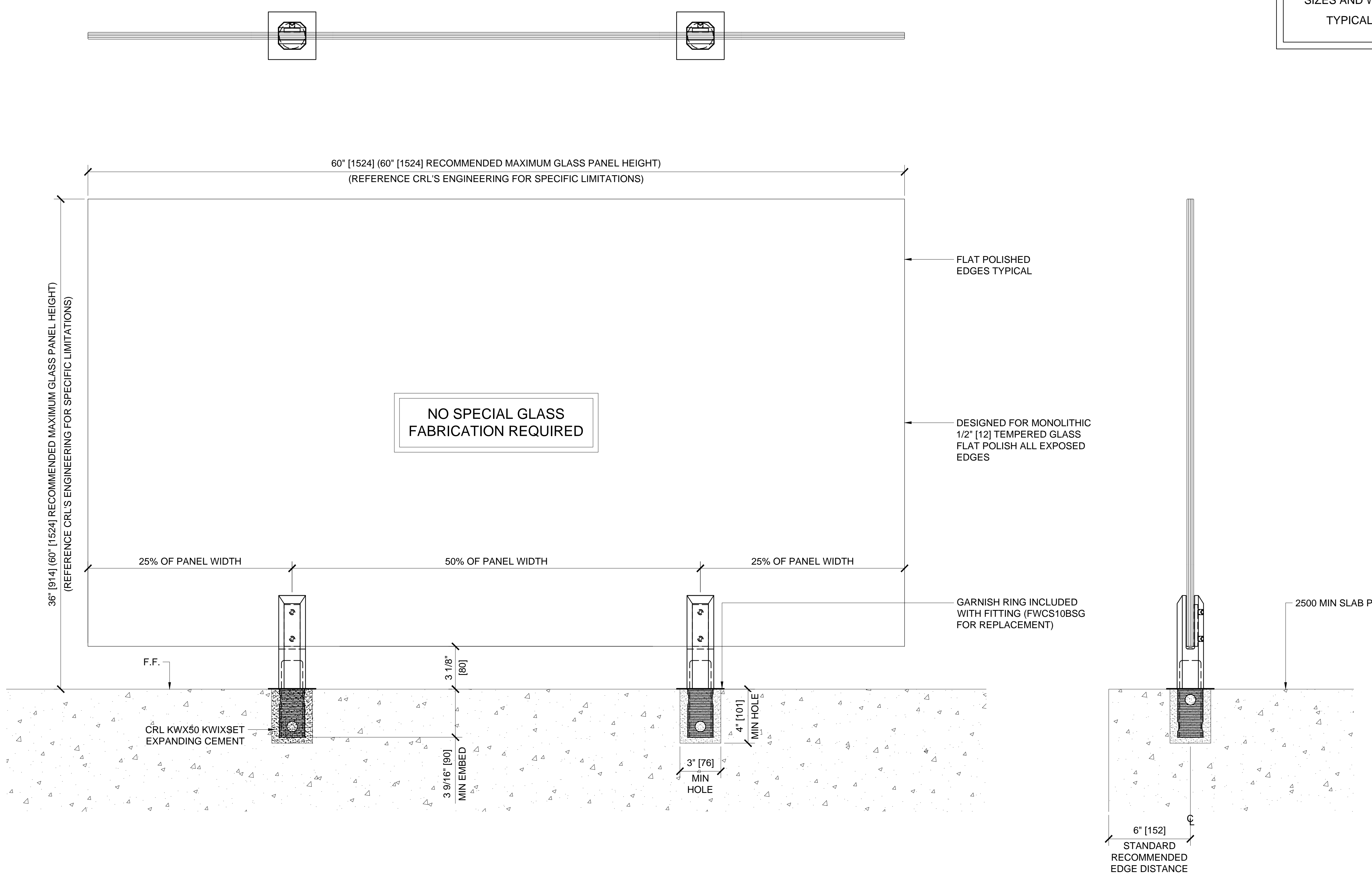




FWCS10 - CRL ONE PIECE CORE MOUNT SQUARE FRAMELESS WINDSCREEN CLAMPS

THESE FRICTION FIT CLAMPS ARE INTENDED FOR INSTALLATIONS WITHOUT HOLES THROUGH THE GLASS. THESE CLAMPS DON'T HAVE A THROUGH GLASS BOLTING OPTION AND ARE INTENDED FOR LOCATIONS WITH LESSER WIND LOADS OR SMALL LIGHT SIZES AND WHERE FALL PROTECTION TYPICALLY IS NOT REQUIRED.



① WINDSCREEN INTERIOR ELEVATION

1'-0"=1'-0"

② WINDSCREEN SECTION

1'-0"=1'-0"

CATALOG NUMBER	FINISH
FWCS10BS	BRUSHED STAINLESS - 316L LOW CARBON S.S.
FWCS10PS	POLISHED STAINLESS - 316L LOW CARBON S.S.

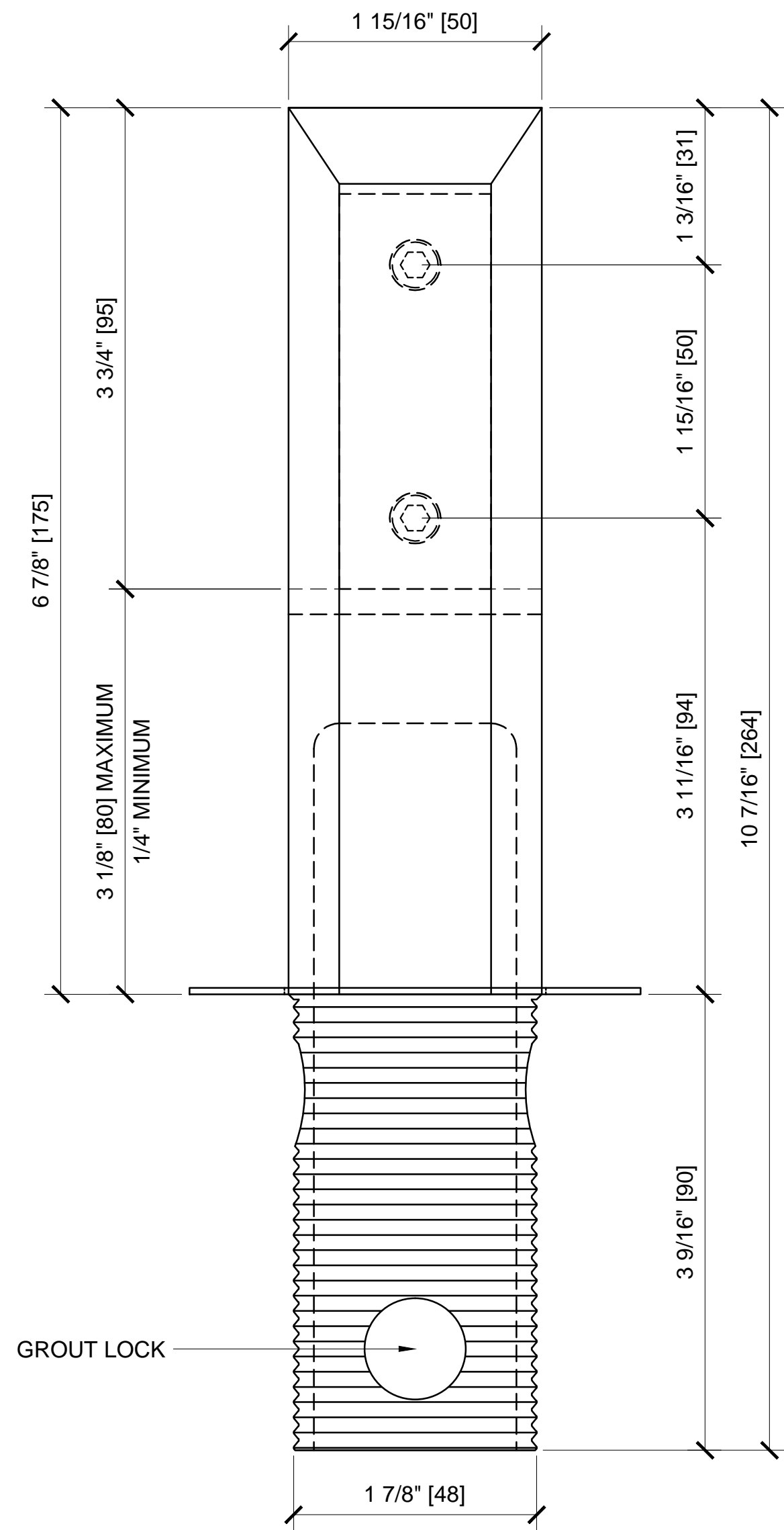
Revisions By:



Description:
FSC FRAMELESS WINDSCREEN SYSTEMS

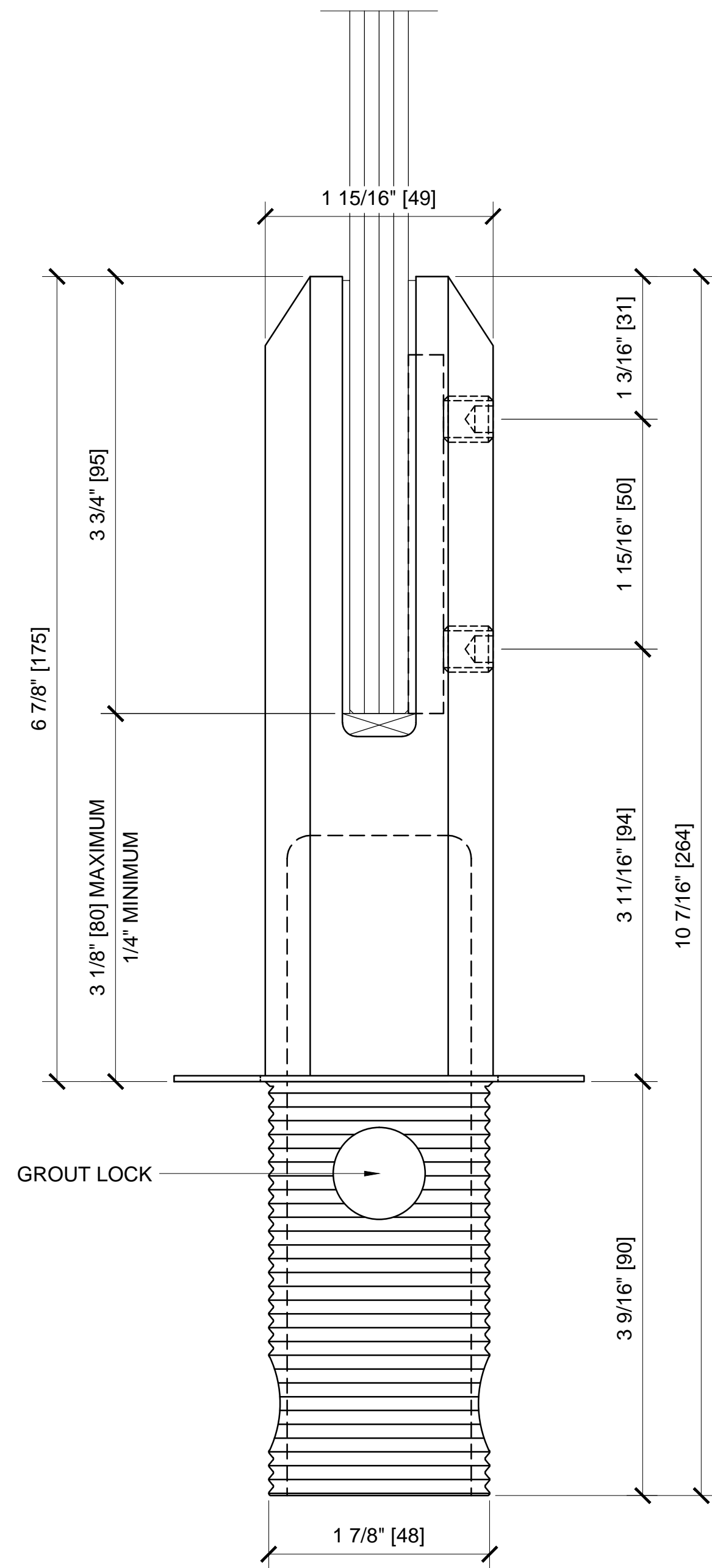
Drawn By: AAD
Date: 1/15/16
Scale: AS NOTED
File Name: 02-FWCS10-One Piece Core Mount Square Frameless Windscreen System.dwg

Sheet



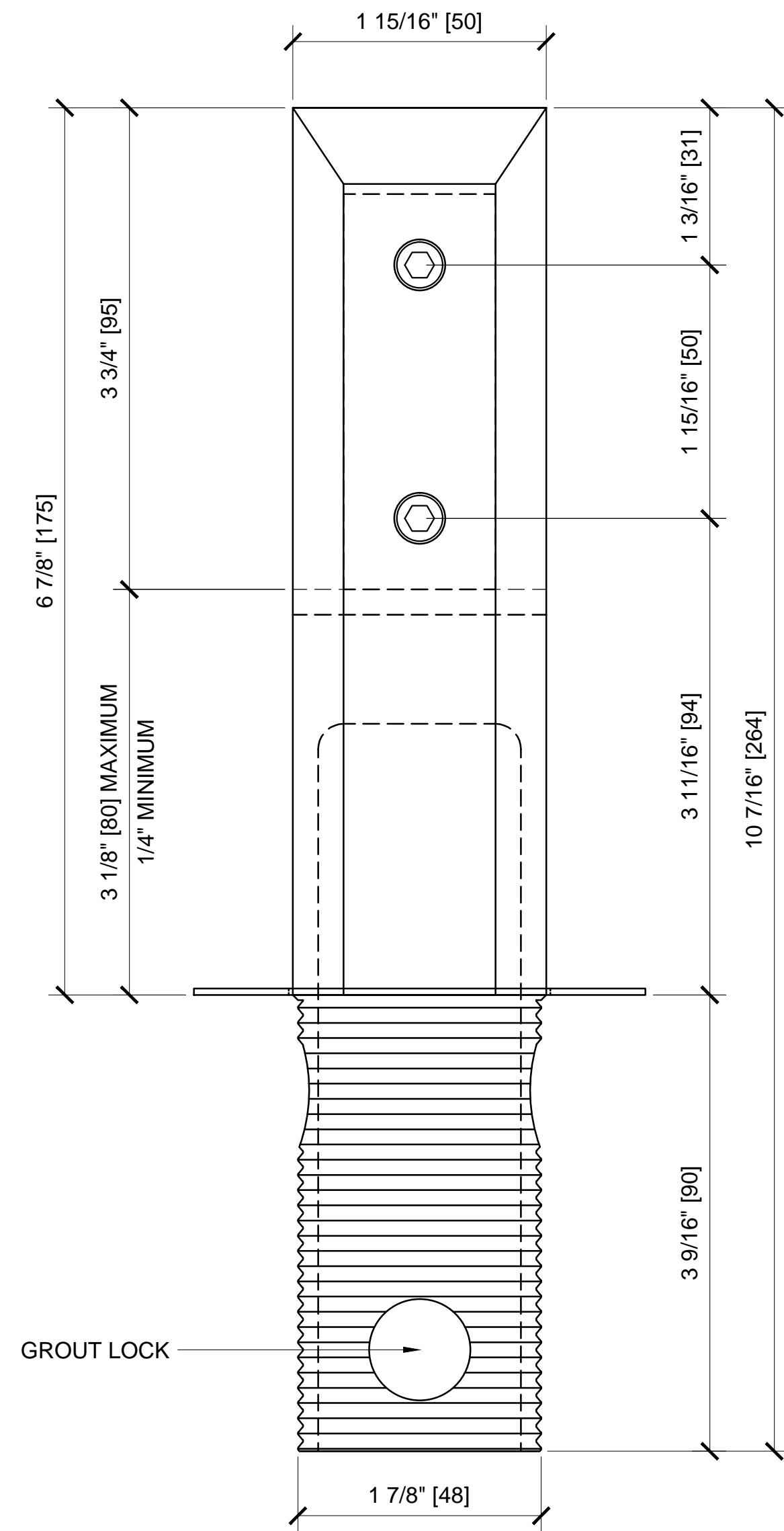
① FWCS10 FRONT VIEW

1'-0"=1'-0"



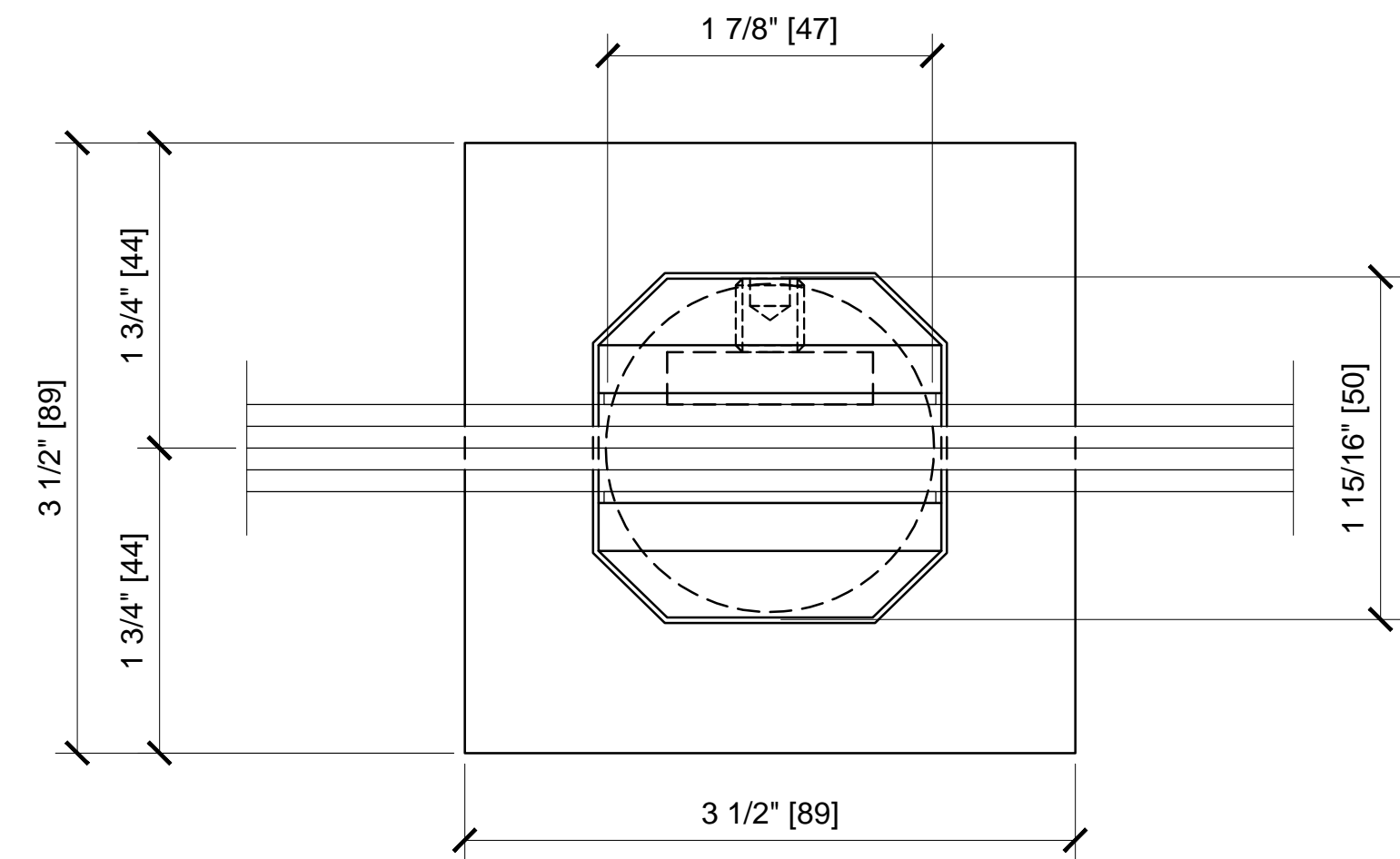
② FWCS10 SIDE VIEW

1'-0"=1'-0"



③ FWCS10 REAR VIEW

1'-0"=1'-0"



④ FWCS10 TOP VIEW

1'-0"=1'-0"

Revisions By:



Description:

FSC FRAMELESS
WINDSCREEN SYSTEMS

Drawn By: AAD

Date: 1/15/16

Scale: AS NOTED

File Name:
02-FWCS10-One Piece Core Mount
Square Frameless Windscreen System.dwg

Sheet

2.02