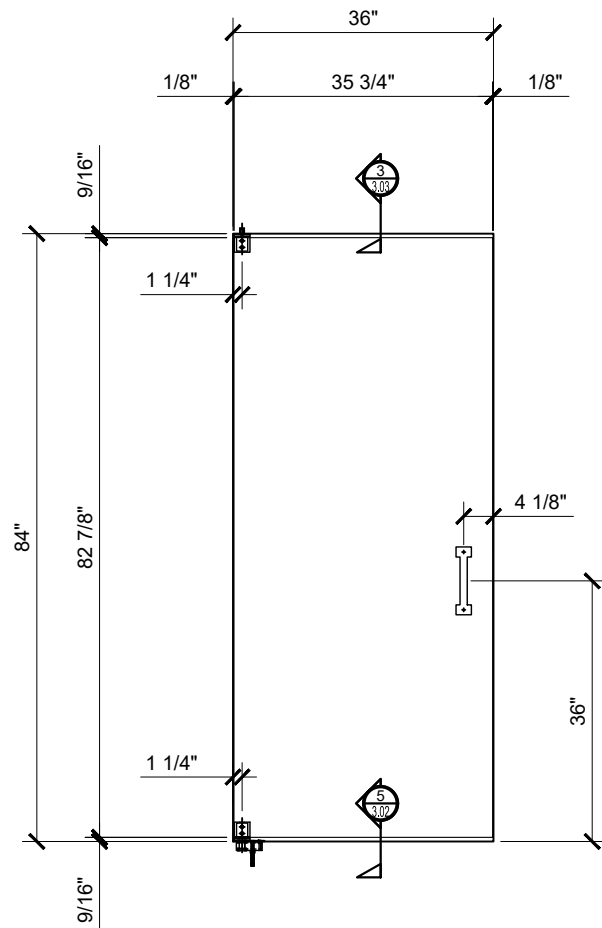
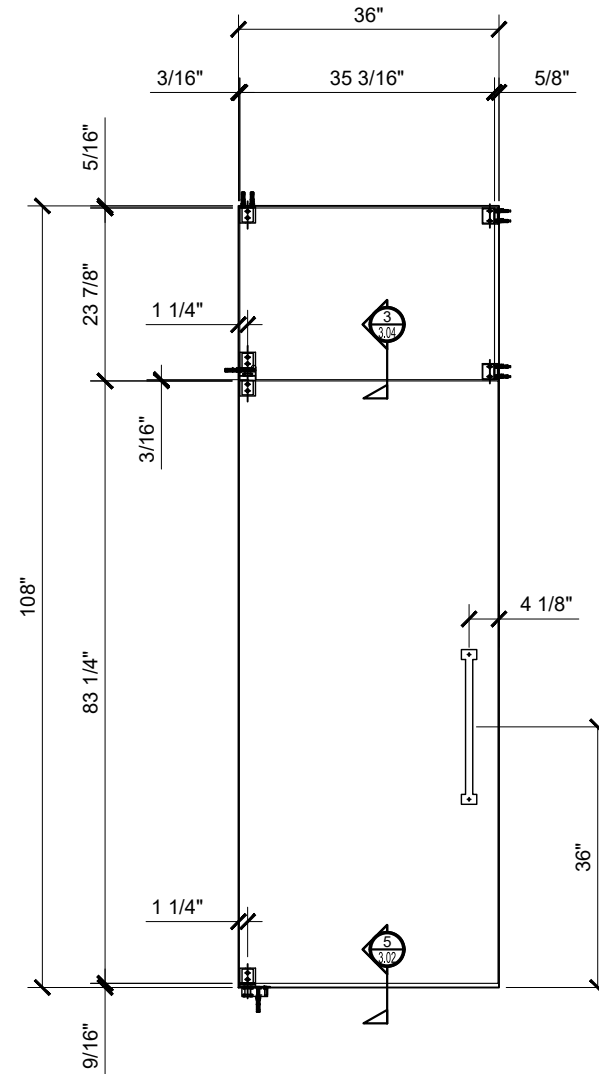


CRL BERETTA PIVOT GLASS ENTRANCE

STANDARD DOOR (HEIGHT) GUIDELINES
 3/8" (10mm) TEMPERED GLASS = 84" RECOMENDED MAX HEIGHT
 1/2" (12mm) TEMPERED GLASS = 108" RECOMENDED MAX HEIGHT



1 BERETTA DOOR ELEVATION
 ARCH REF: NONE 1"=1'-0"



2 BERETTA DOOR ELEVATION W/ TRANSOM
 ARCH REF: NONE 1"=1'-0"

STRUCTURAL DISCLAIMER:

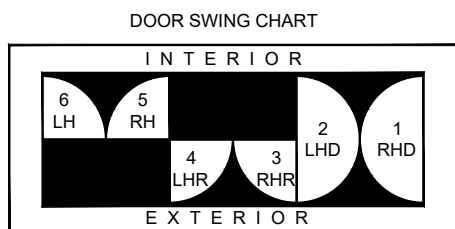
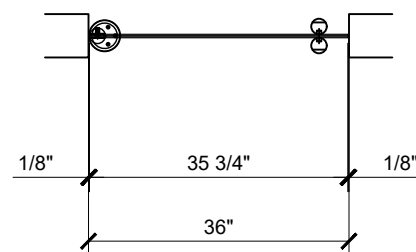
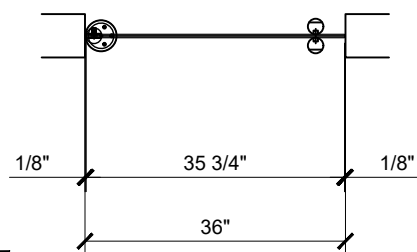
ALL CUSTOMERS WHO IN ANY WAY UTILIZE THIS PRODUCT ARE SOLELY RESPONSIBLE TO CONSULT A STRUCTURAL ENGINEER TO DETERMINE THE SUITABILITY OF THE PRODUCT FOR THE INTENDED USE AND SITE CONDITIONS. ALL INSTALLERS MUST BE QUALIFIED AND HAVE PROFESSIONAL KNOWLEDGE ABOUT COMPLIANCE WITH LOCAL, STATE AND FEDERAL REGULATIONS, SAFETY FACTORS, AND THE APPROPRIATE CHOICE OF FIXING MATERIAL AND PROCEED

"INDUSTRY STANDARD" DOOR STYLES AND SWINGING DOOR PATTERNS

THERE ARE THREE BASIC 'ALL-GLASS' DOOR STYLES TYPICALLY REFERRED TO THROUGHOUT THE INDUSTRY APPLICABLE TO THE CRL SLENDER PROFILE DOOR RAIL SYSTEMS. BY IDENTIFYING YOUR BASIC DOOR STYLE AND SWING, IT WILL HELP MAKE CLEAR WHAT YOUR INTENTIONS ARE FOR THE PARTICULAR PROJECT. FOR MORE INFORMATION, PLEASE CONTACT OUR TECHNICAL SALES DEPARTMENT AT (800) 421-6144 IN THE U.S., (877) 421-6144 IN CA OR (323) 588-1281 INTERNATIONAL. ASK FOR EXT. 770 YOU CAN SEND E-MAIL THROUGH THE crlaurence.com HOME PAGE. CLICK ON CONTACT US, AND THEN CLICK ON TECHNICAL SALES FOR COMMERCIAL PRODUCTS.

STANDARD ABBREVIATIONS

RO	ROUGH OPENING
FD	FRAME DIMENSION
DLO	DAYLIGHT OPENING
DO	DOOR OPENING
DD	DOOR DIMENSION
TD	TRANSOM DIMENSION
DP	DIMENSION POINT
SMC	SURFACE MOUNTED CLOSER
OHCC	OVERHEAD CONCEALED CLOSER



Revisions By:

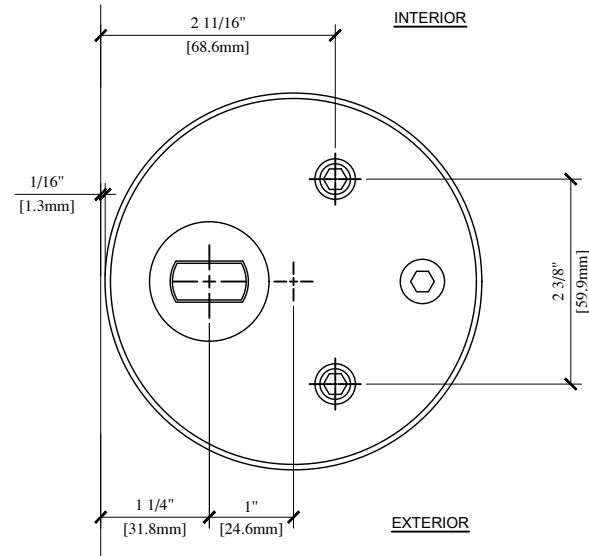
CRL

2503 E. Vernon Avenue, Los Angeles, CA 90058-1897
 PH (800)-421-6144 FX: 800-587-7501 www.crlaurence.com

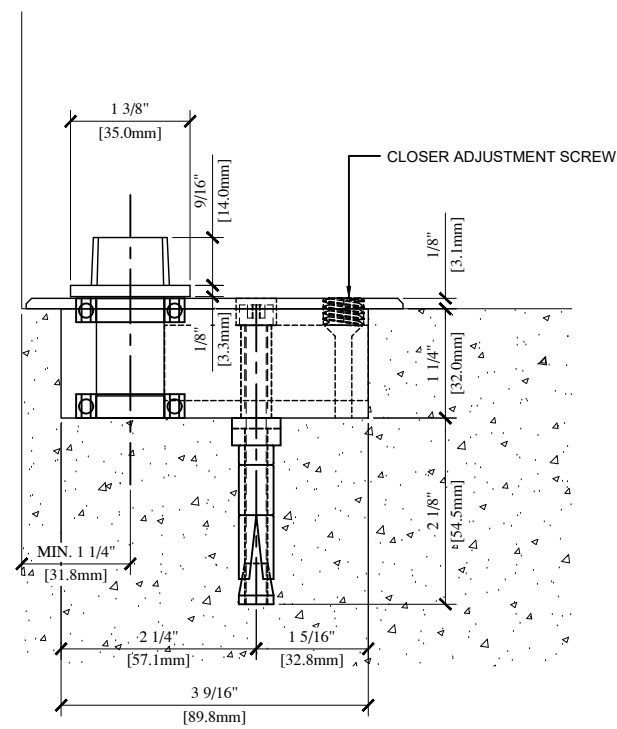
Description:
 CRL BERETTA PIVOT
 GLASS ENTRANCE /
 CABINET GLASS SYSTEMS
 FDR 3/8" AND 1/2" GLASS

Drawn By: CRL
 Date: 12/22/14
 Scale: AS NOTED
 File Name:
 System Name: .dwg
 Sheet

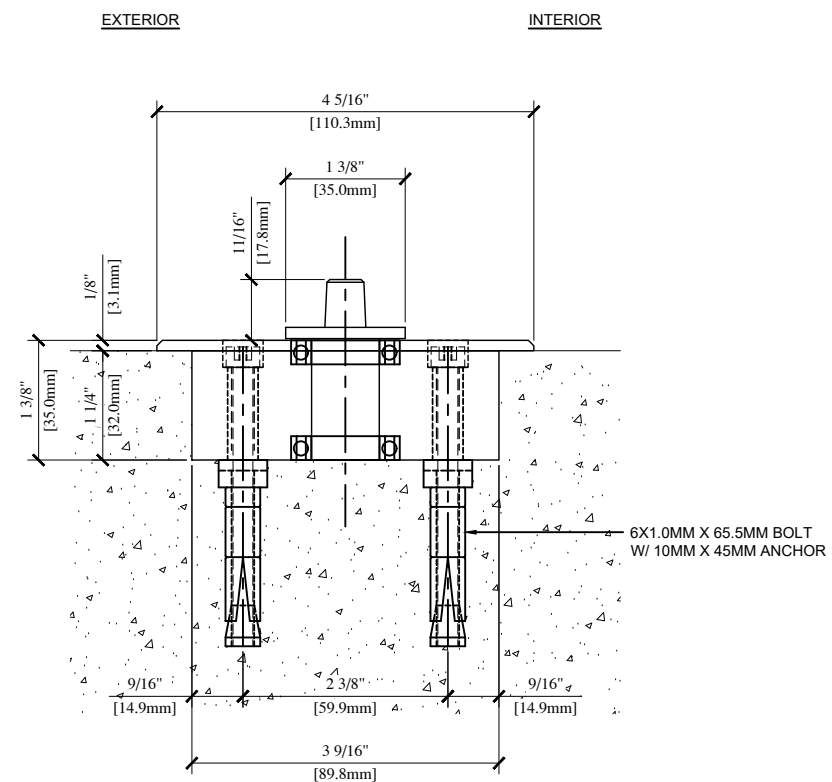
BERETTA FLOOR CLOSER WITH SPINDLE & 90 DEG. HOLD OPEN
 FOR USE WITH DOOR RAILS OR PATCH FITTINGS USING TAPERED SPINDLES



1 BS10 TOP VIEW
 ARCH REF: NONE 1'-0"=1'-0"



2 BS10 FRONT VIEW
 ARCH REF: NONE 1'-0"=1'-0"



3 BS10 SECTION
 ARCH REF: NONE 1'-0"=1'-0"

Revisions By:

CRL

2503 E. Vernon Avenue, Los Angeles, CA 90058-1897
 PH (800)-421-6144 FX: 800-587-7501 www.crlaurence.com

Description:
 CRL BERETTA PIVOT
 GLASS ENTRANCE /
 CABINET GLASS SYSTEMS
 FDR 3/8" AND 1/2" GLASS

Drawn By: CRL
 Date: 12/22/14
 Scale: AS NOTED
 File Name:
 System Name: dwg

Sheet

3.01

BERETTA DOOR CLOSER WITH PATCH & 90 DEG. H.O. - BS20xxx
FLOOR OR HEADER MOUNTING

Revisions By:

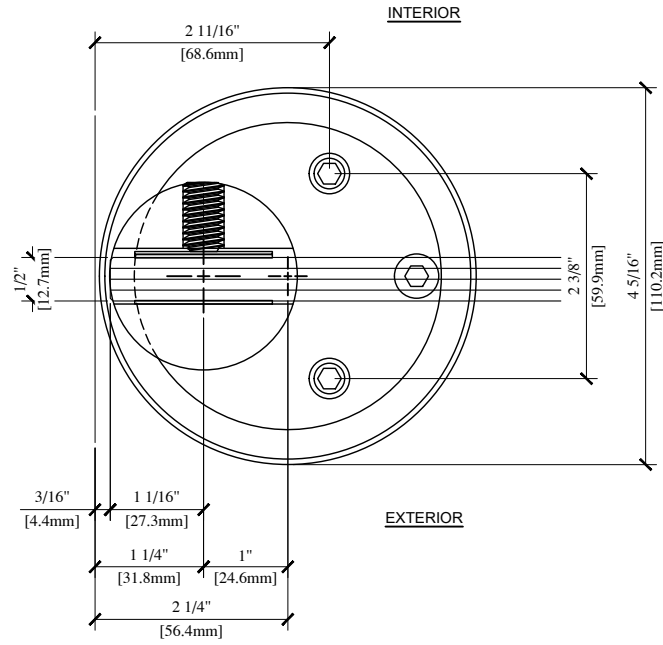
CRL

2503 E. Vernon Avenue, Los Angeles, CA 90058-1897
PH (800)-421-6144 FX: 800-587-7501 www.crlaurence.com

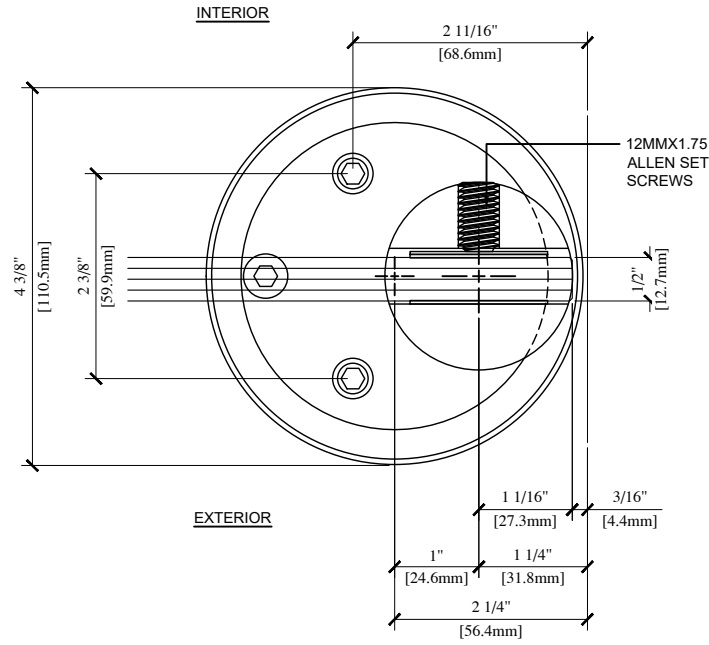
Description:
CRL BERETTA PIVOT
GLASS ENTRANCE /
CABINET GLASS SYSTEMS
FDR 3/8" AND 1/2" GLASS

Drawn By: CRL
Date: 12/22/14
Scale: AS NOTED
File Name:
System Name: dwg
Sheet

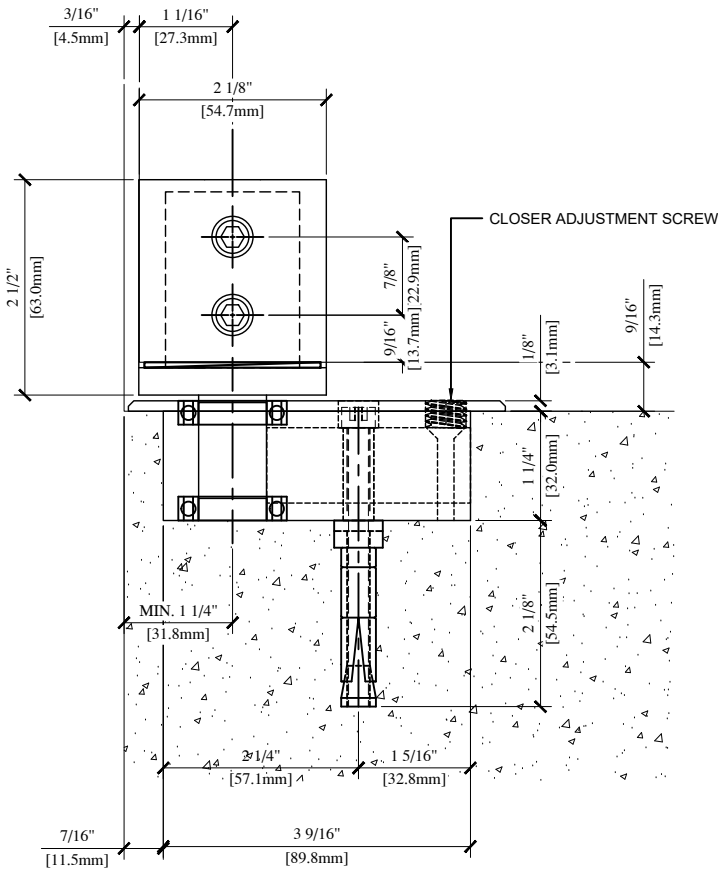
3.02



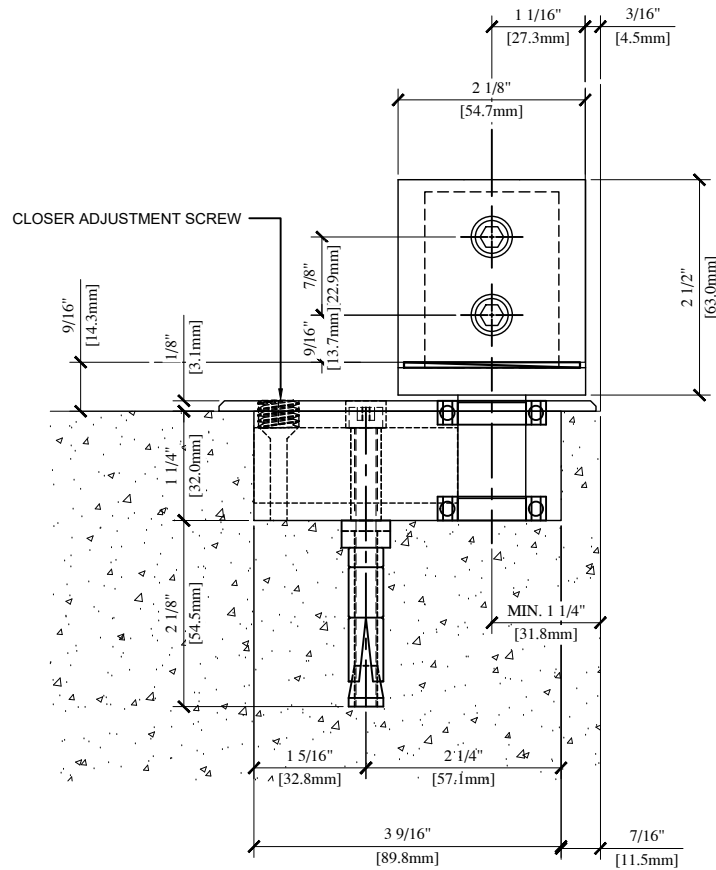
1 BS20L TOP VIEW
ARCH REF: NONE 1'-0"=1'-0"



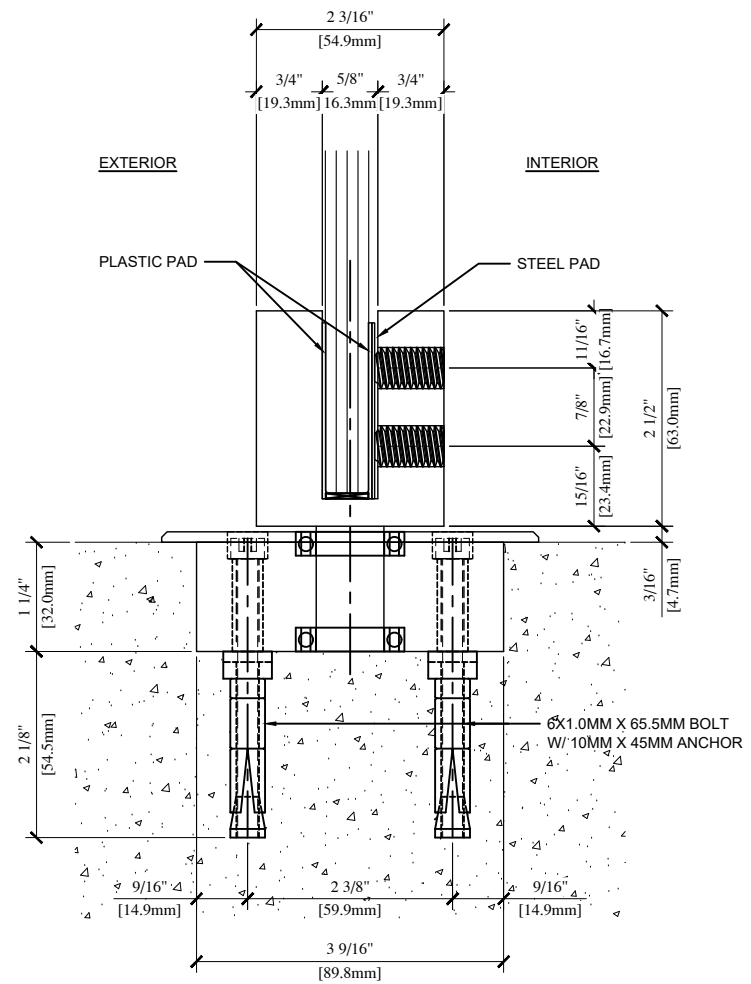
2 BS20R TOP VIEW
ARCH REF: NONE 1'-0"=1'-0"



3 BS20L FRONT VIEW
ARCH REF: NONE 1'-0"=1'-0"

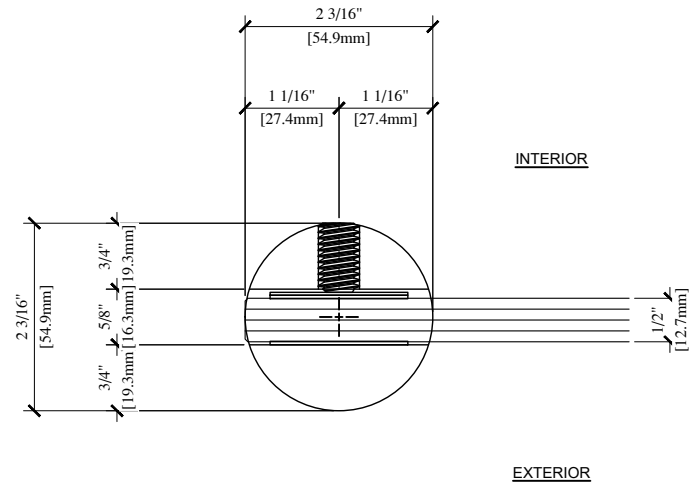


4 BS20R FRONT VIEW
ARCH REF: NONE 1'-0"=1'-0"

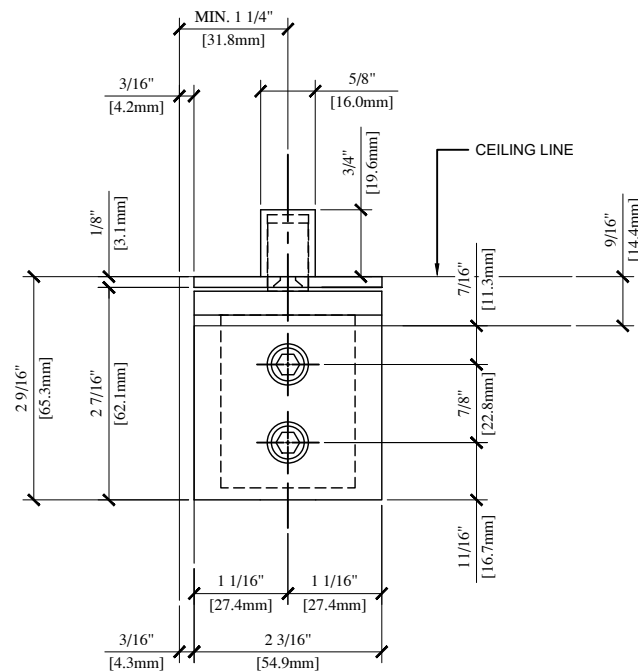


5 BS20 SECTION
ARCH REF: NONE 1'-0"=1'-0"

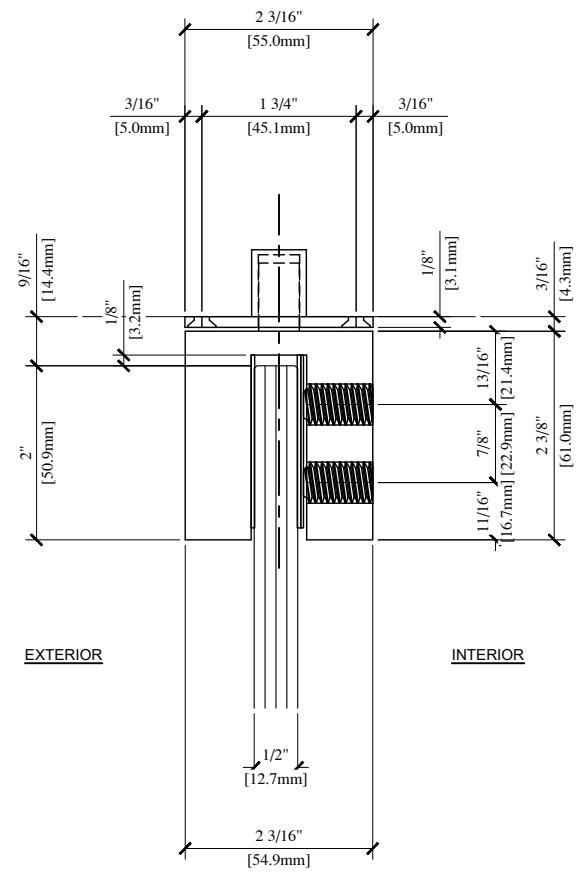
BERETTA TOP DOOR PATCH BS30xx



1 BS30 TOP VIEW
ARCH REF: NONE 1'-0"=1'-0"



2 BS30 FRONT VIEW
ARCH REF: NONE 1'-0"=1'-0"



3 BS30 SECTION
ARCH REF: NONE 1'-0"=1'-0"

Revisions By:

CRL

2503 E. Vernon Avenue, Los Angeles, CA 90058-1897
PH (800)-421-6144 FX: 800-587-7501 www.crlaurence.com

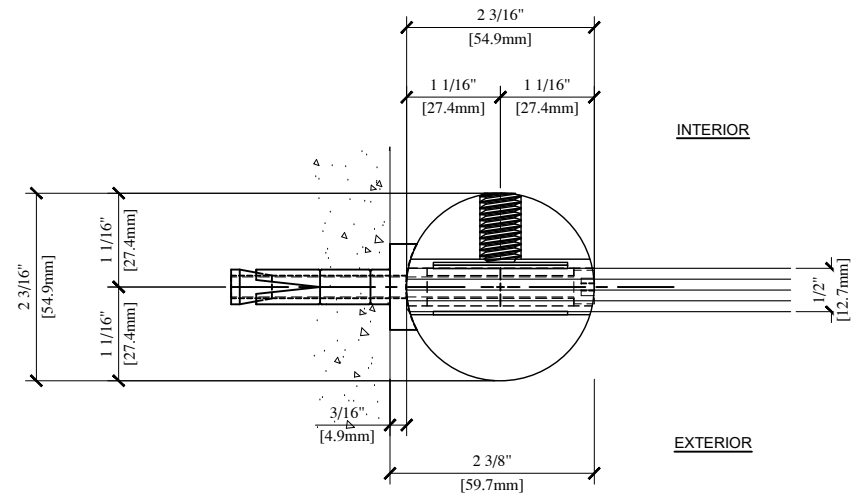
Description:
CRL BERETTA PIVOT
GLASS ENTRANCE /
CABINET GLASS SYSTEMS
FDR 3/8" AND 1/2" GLASS

Drawn By: CRL
Date: 12/22/14
Scale: AS NOTED
File Name:
System Name: .dwg

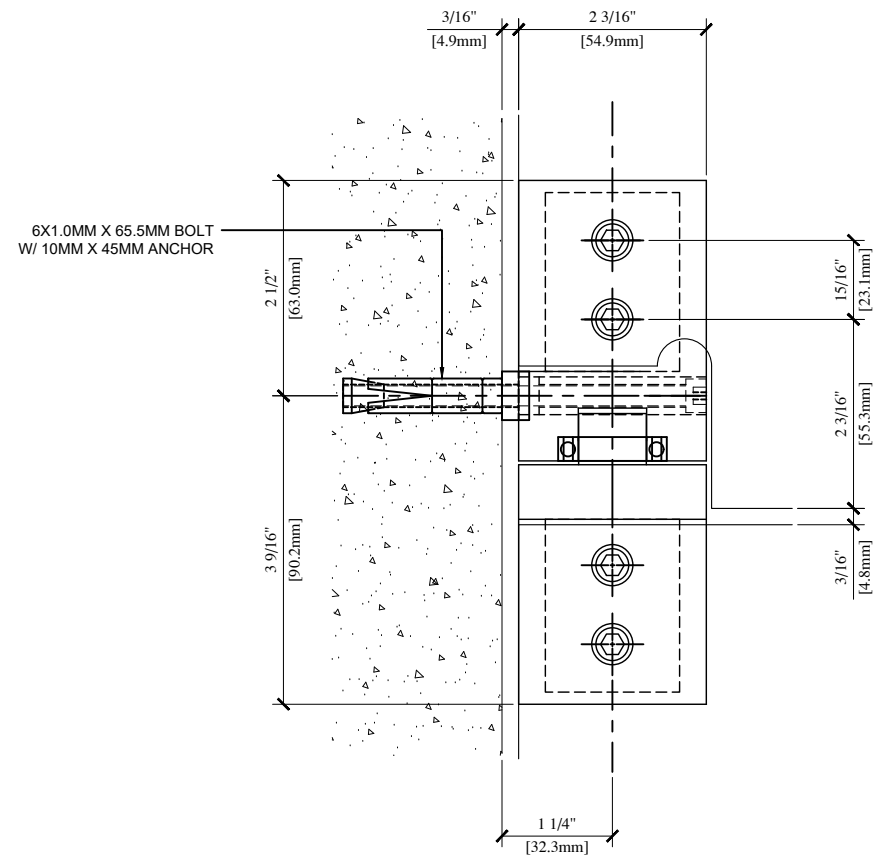
Sheet

3.03

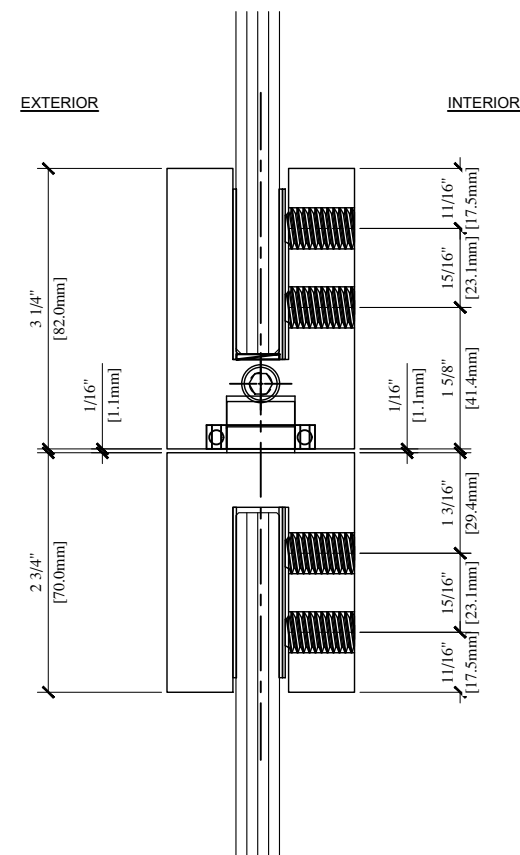
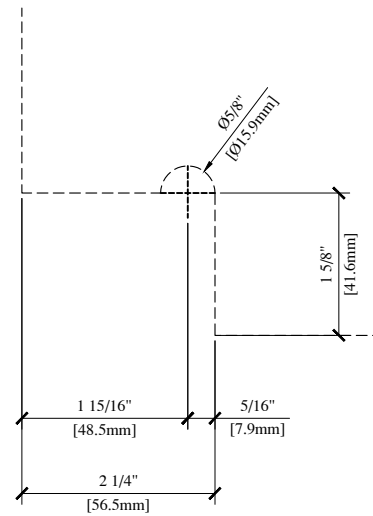
BERETTA TRANSOM/WALL MOUNT PIVOT DOOR PATCH BS40xx



1 BS40 TOP VIEW
ARCH REF: NONE 1'-0"=1'-0"



2 BS40 FRONT VIEW
ARCH REF: NONE 1'-0"=1'-0"



3 BS40 SECTION
ARCH REF: NONE 1'-0"=1'-0"

Revisions By:

CRL

2503 E. Vernon Avenue, Los Angeles, CA 90058-1897
PH (800)-421-6144 FX: 800-587-7501 www.crlaurence.com

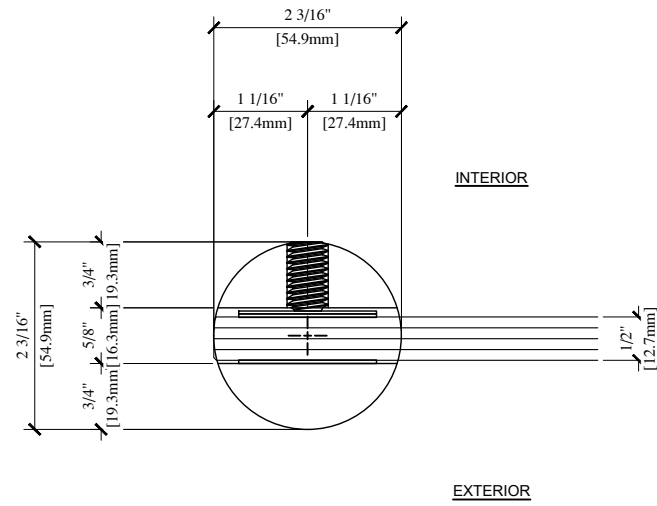
Description:
CRL BERETTA PIVOT
GLASS ENTRANCE /
CABINET GLASS SYSTEMS
FDR 3/8" AND 1/2" GLASS

Drawn By: CRL
Date: 12/22/14
Scale: AS NOTED
File Name:
System Name: .dwg

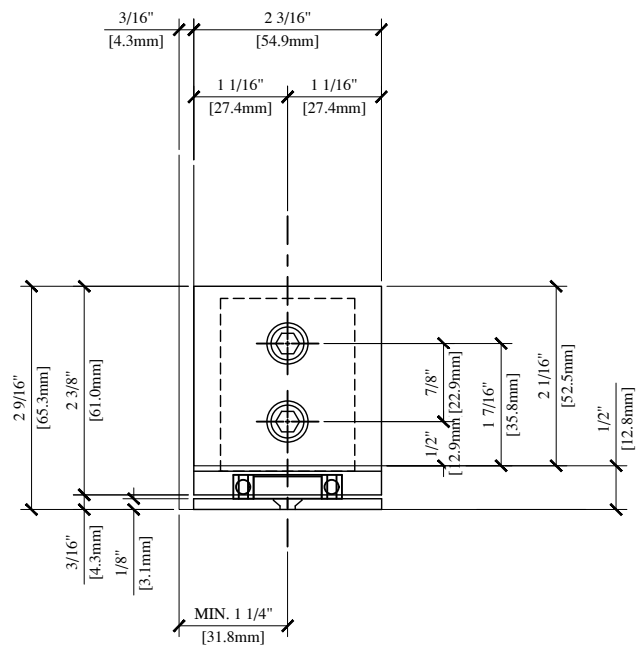
Sheet

3.04

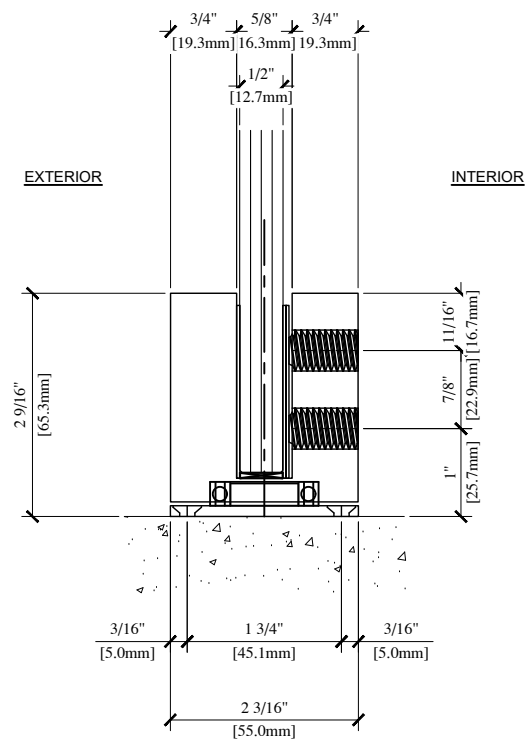
BERETTA BOTTOM DOOR PATCH BS50xx



1 BS50 TOP VIEW
ARCH REF: NONE 1'-0"=1'-0"



2 BS50 FRONT VIEW
ARCH REF: NONE 1'-0"=1'-0"



3 BS50 SECTION
ARCH REF: NONE 1'-0"=1'-0"

Revisions By:

CRL

2503 E. Vernon Avenue, Los Angeles, CA 90058-1897
PH (800)-421-6144 FX: 800-587-7501 www.crlaurence.com

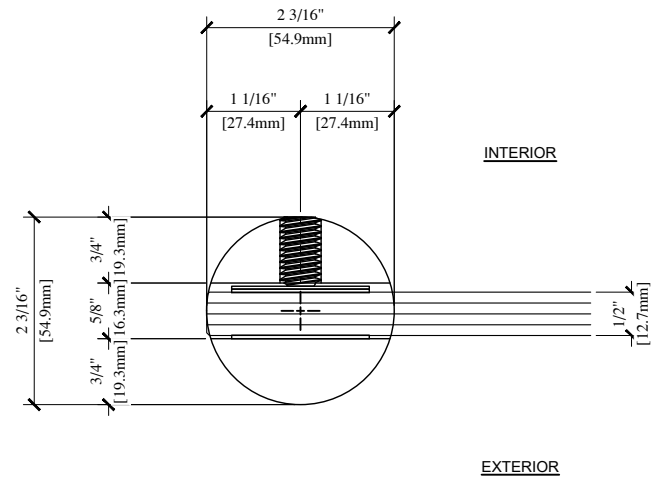
Description:
CRL BERETTA PIVOT
GLASS ENTRANCE /
CABINET GLASS SYSTEMS
FDR 3/8" AND 1/2" GLASS

Drawn By: CRL
Date: 12/22/14
Scale: AS NOTED
File Name:
System Name: .dwg

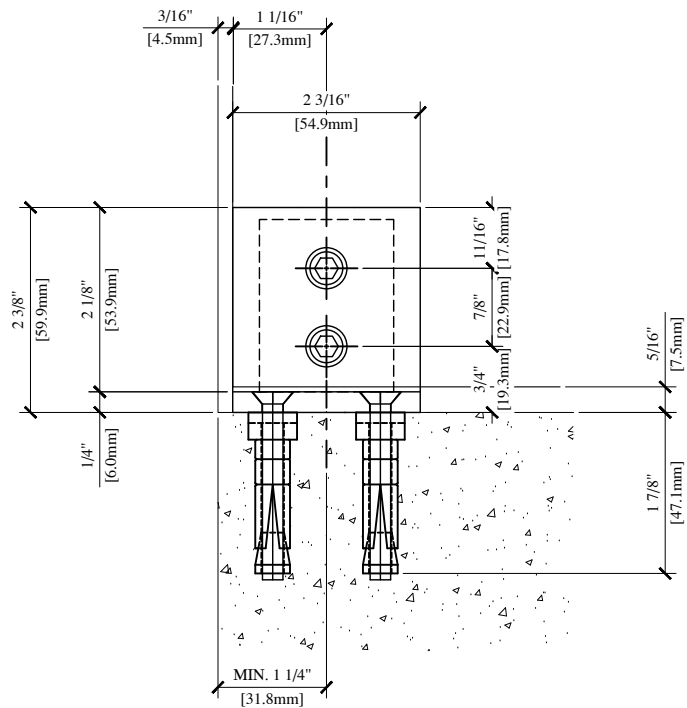
Sheet

3.05

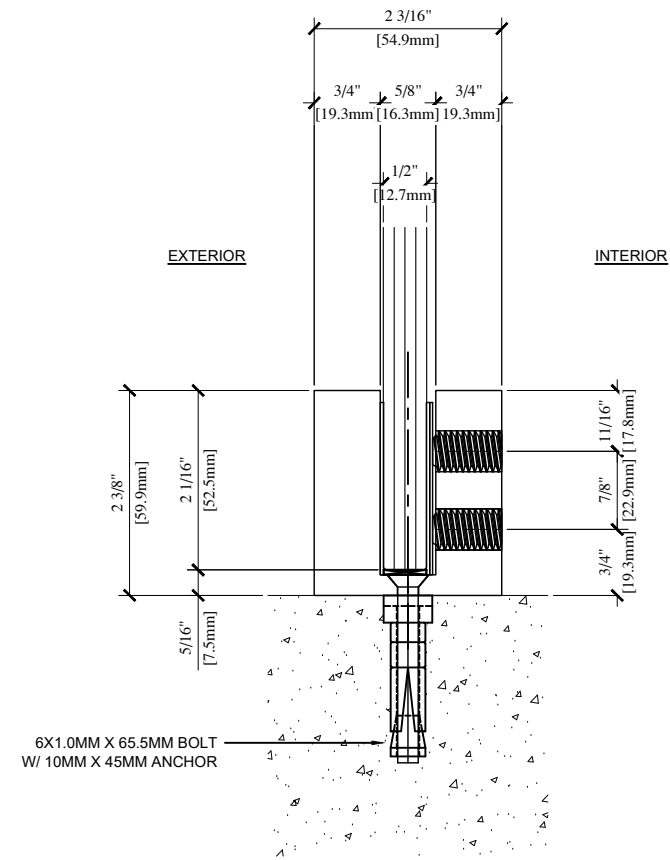
CRL BERETTA END MOUNT LIGHT-DUTY FIXED PANEL CLAMP - BS60xx



1 BS60 TOP VIEW
ARCH REF: NONE 1'-0"=1'-0"



2 BS60 FRONT VIEW
ARCH REF: NONE 1'-0"=1'-0"



3 BS60 SECTION
ARCH REF: NONE 1'-0"=1'-0"

Revisions By:

CRL

2503 E. Vernon Avenue, Los Angeles, CA 90058-1897
PH (800)-421-6144 FX: 800-587-7501 www.crlaurence.com

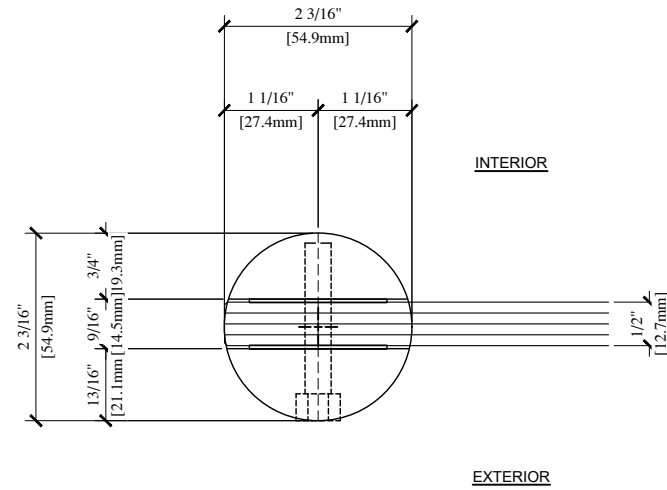
Description:
CRL BERETTA PIVOT
GLASS ENTRANCE /
CABINET GLASS SYSTEMS
FDR 3/8" AND 1/2" GLASS

Drawn By: CRL
Date: 12/22/14
Scale: AS NOTED
File Name:
System Name: dwg

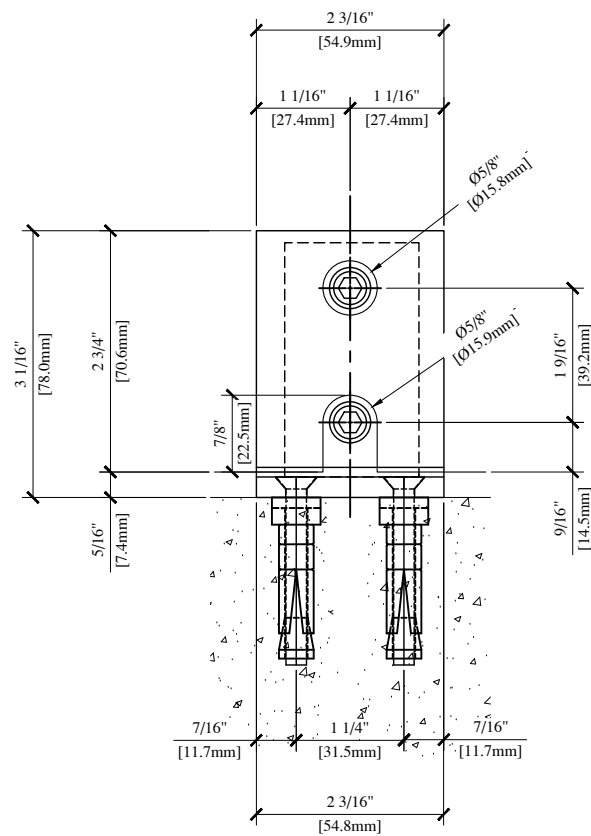
Sheet

3.06

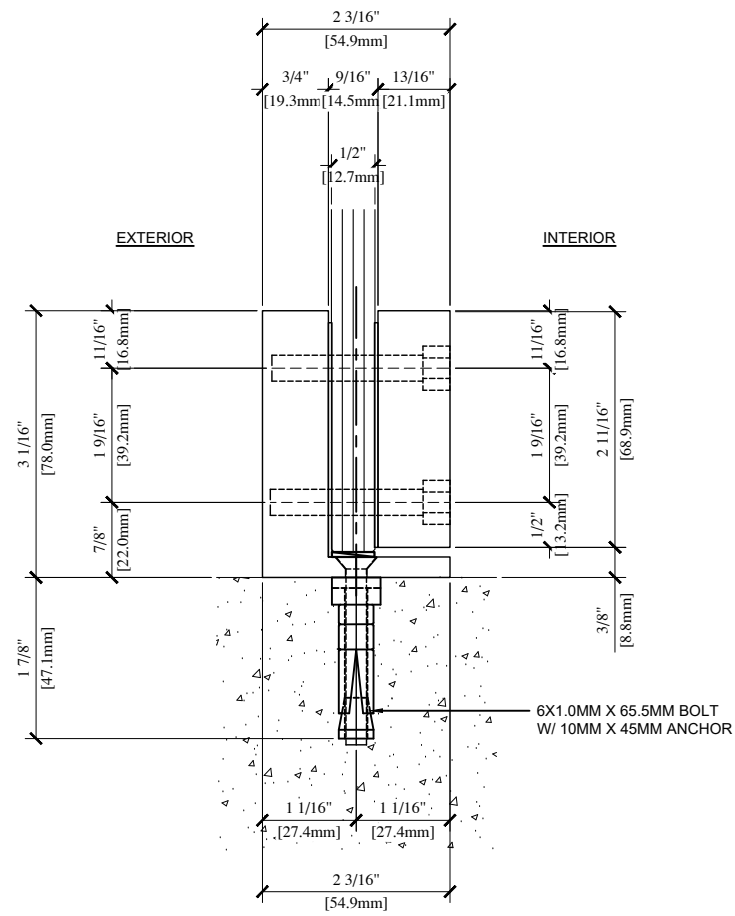
CRL BERETTA END MOUNT LIGHT-DUTY FIXED PANEL CLAMP - BS70xx



1 BS70 TOP VIEW
ARCH REF: NONE 1'-0"=1'-0"



2 BS70 FRONT VIEW
ARCH REF: NONE 1'-0"=1'-0"



3 BS70 SECTION
ARCH REF: NONE 1'-0"=1'-0"

Revisions By:

CRL

2503 E. Vernon Avenue, Los Angeles, CA 90058-1897
PH (800)-421-6144 FX: 800-587-7501 www.crlaurence.com

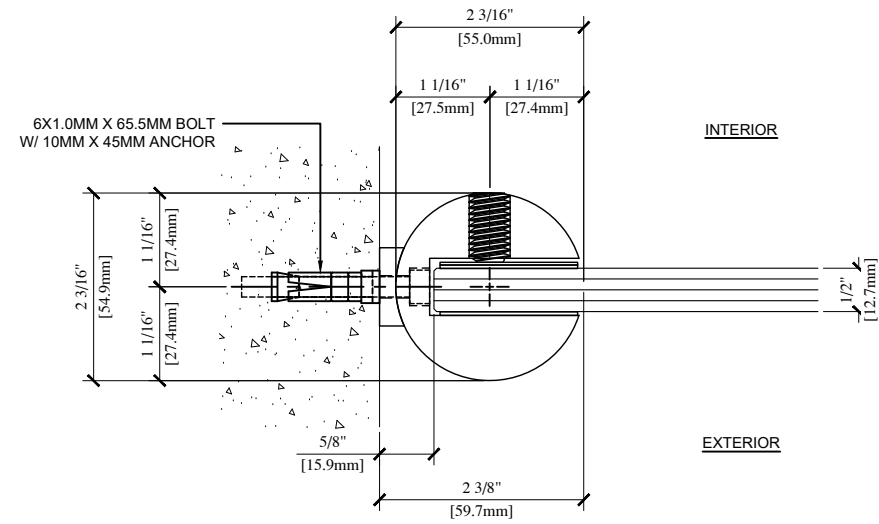
Description:
CRL BERETTA PIVOT
GLASS ENTRANCE /
CABINET GLASS SYSTEMS
FDR 3/8" AND 1/2" GLASS

Drawn By: CRL
Date: 12/22/14
Scale: AS NOTED
File Name:
System Name: dwg

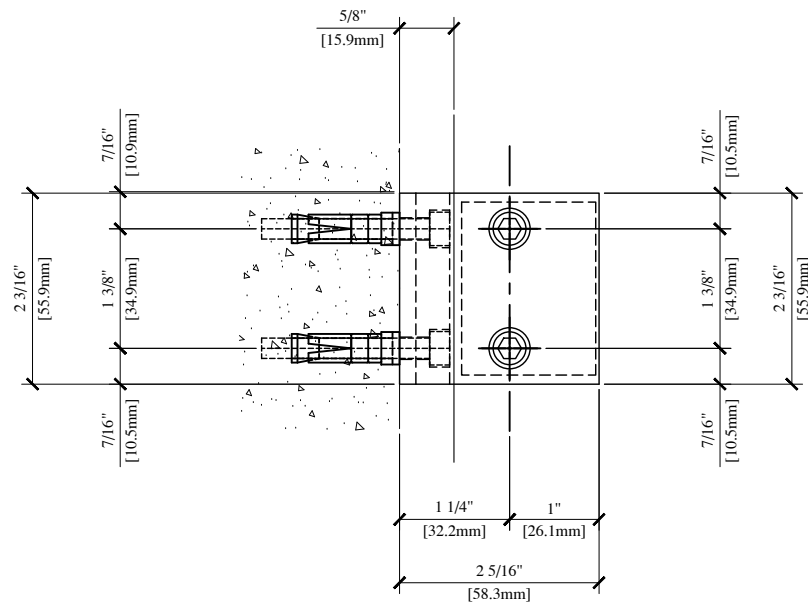
Sheet

3.07

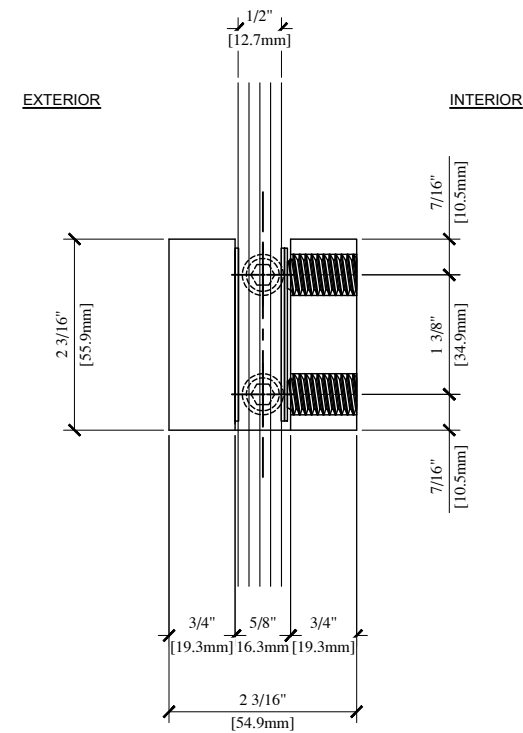
CRL BERETTA WALL MOUNT FIXED PANEL CLAMP - BS80xx



1 BS80 TOP VIEW
ARCH REF: NONE 1'-0"=1'-0"



2 BS80 FRONT VIEW
ARCH REF: NONE 1'-0"=1'-0"



3 BS80 SECTION
ARCH REF: NONE 1'-0"=1'-0"

Revisions By:

CRL

2503 E. Vernon Avenue, Los Angeles, CA 90058-1897
PH (800)-421-6144 FX: 800-587-7501 www.crlaurence.com

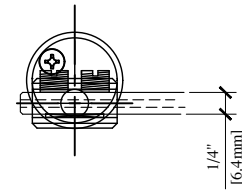
Description:
 CRL BERETTA PIVOT
 GLASS ENTRANCE /
 CABINET GLASS SYSTEMS
 FOR 3/8" AND 1/2" GLASS

Drawn By: CRL
 Date: 12/22/14
 Scale: AS NOTED
 File Name:
 System Name: .dwg

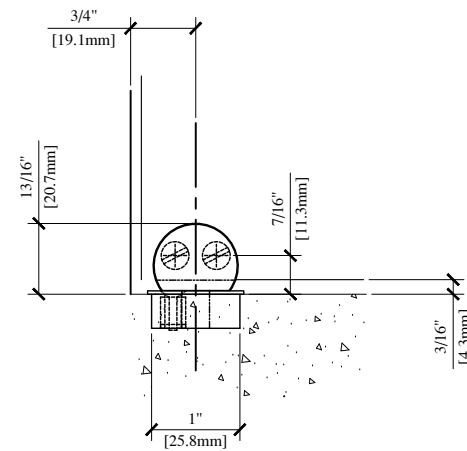
Sheet

3.08

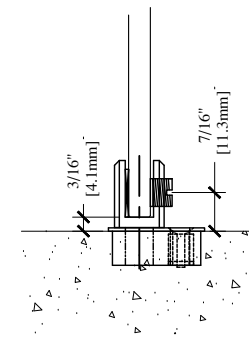
BERETTA CABINET GLASS DOOR PIVOT - BH01xx
 FOR USE WITH 1/4" TEMPERED GLASS



① BH01 TOP VIEW
 ARCH REF: NONE 1'-0"=1'-0"



② BH01 FRONT VIEW
 ARCH REF: NONE 1'-0"=1'-0"



③ BH01 SECTION
 ARCH REF: NONE 1'-0"=1'-0"

Revisions By:

CRL

2503 E. Vernon Avenue, Los Angeles, CA 90058-1897
 PH (800)-421-6144 FX: 800-587-7501 www.crlaurence.com

Description:
 CRL BERETTA PIVOT
 GLASS ENTRANCE /
 CABINET GLASS SYSTEMS
 FOR 3/8" AND 1/2" GLASS

Drawn By: CRL
 Date: 12/22/14
 Scale: AS NOTED
 File Name:
 System Name: dwg

Sheet

3.09