

METROPOLIS POST SYSTEM

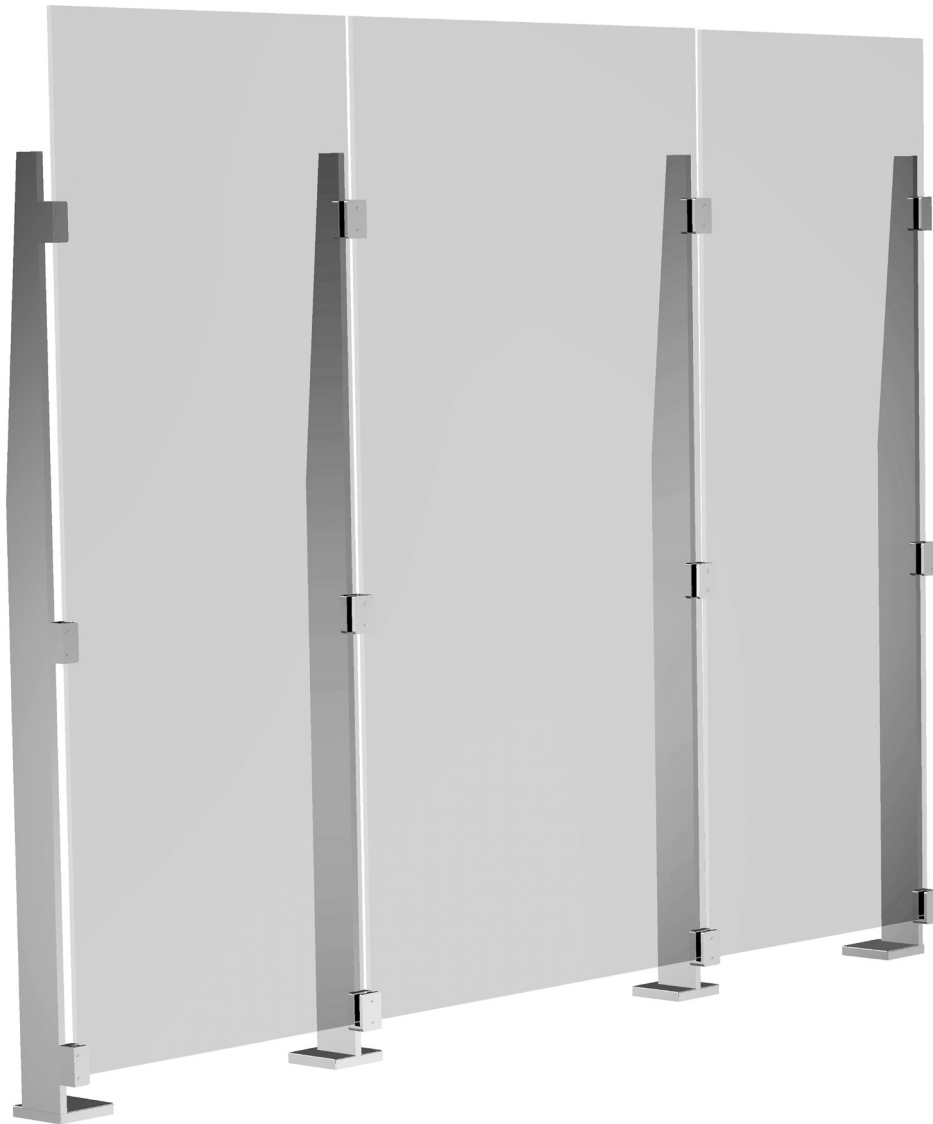


TABLE OF CONTENTS

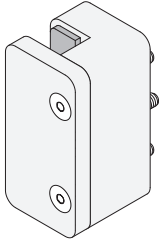
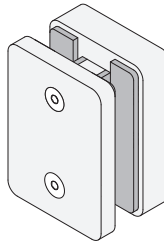
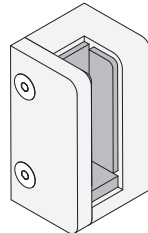
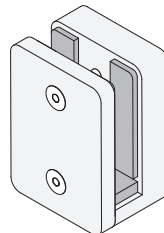
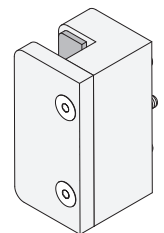
PARTS LIST	3
Metropolis Posts	3
Glass Clamps	3
Flange Covers	3
TYPICAL CONFIGURATIONS	4
POST MOUNTING OPTIONS	4
POST INSTALLATION	5
FLANGE COVER INSTALLATION	5
GLASS CLAMP INSTALLATION	6
GLASS INSTALLATION	7

IMPORTANT: READ THIS MANUAL THOROUGHLY BEFORE BEGINNING INSTALLATION

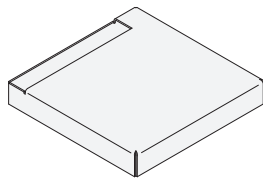
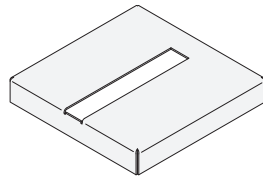
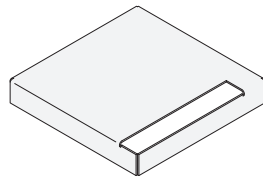
PARTS LIST

All parts ordered individually as needed.

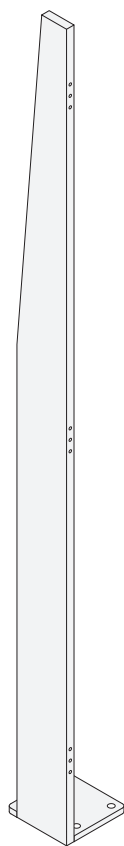
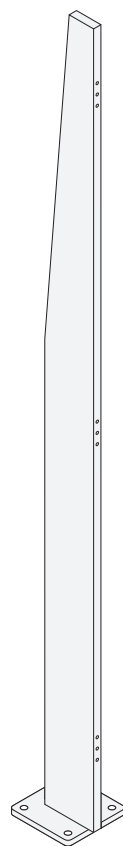

GLASS CLAMPS

				
MUEGC12BS Mid/Upper Left/Right End Glass Clamp	MUCGC12BS Mid/Upper Center Glass Clamp	MLEGC12BS Bottom Left End Glass Clamp	MCGC12BS Bottom Center Glass Clamp	MREGC12BS Bottom Right End Glass Clamp

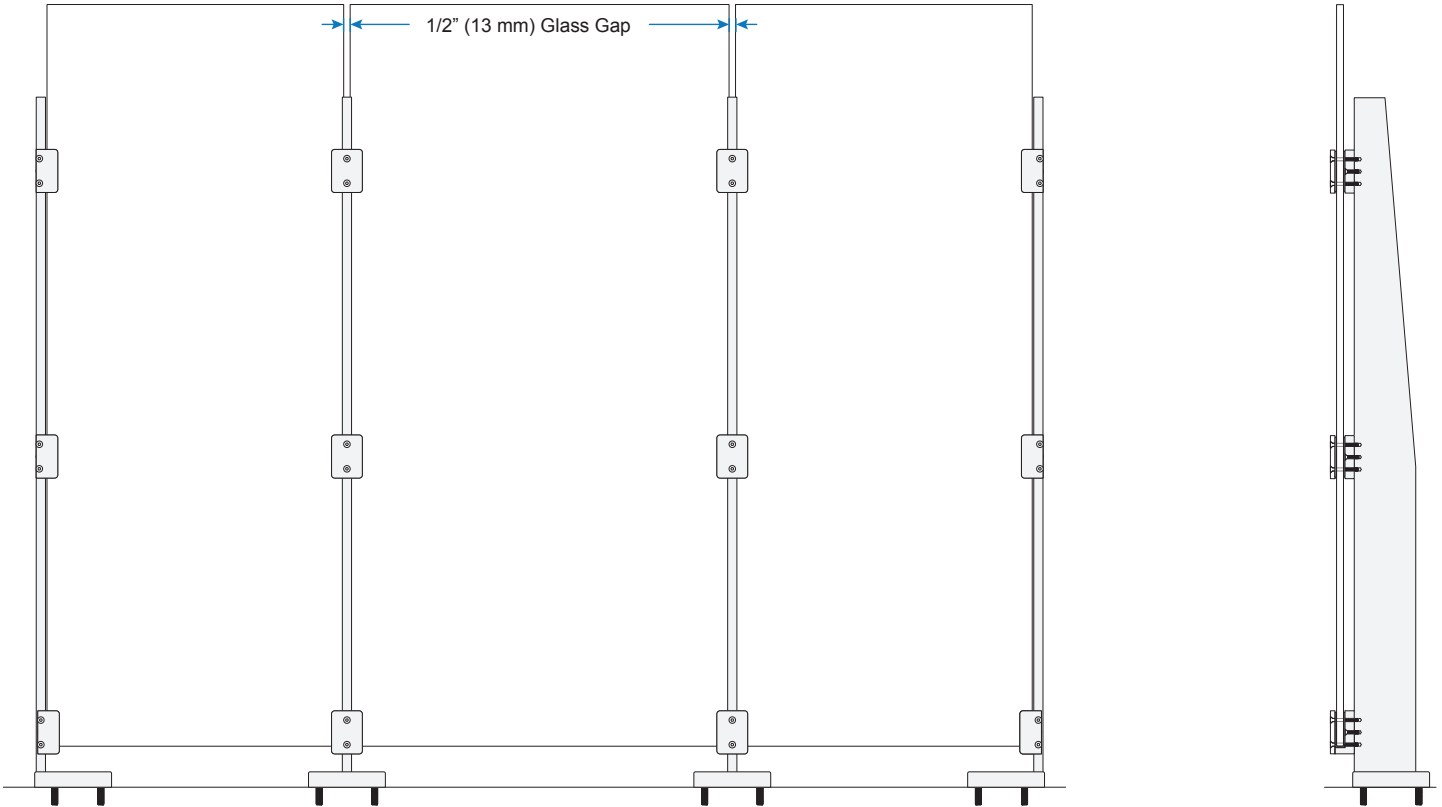
FLANGE COVERS


Bottom Left End Post Flange

Bottom Center Post Flange

Bottom Right End Post Flange

POSTS

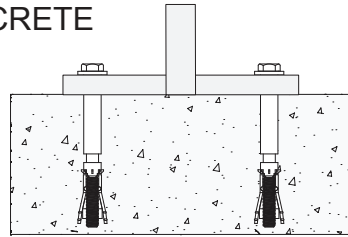
		
Metropolis Left End Post	Metropolis Center Post	Metropolis Right End Post

TYPICAL CONFIGURATIONS

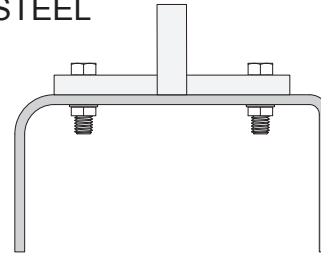


POST MOUNTING OPTIONS

CONCRETE



STEEL



OR

Expansion Anchors and Machine Screws

MAXIMUM WIND PRESSURE (PSF) PER SYSTEM HEIGHT & POST SPACING

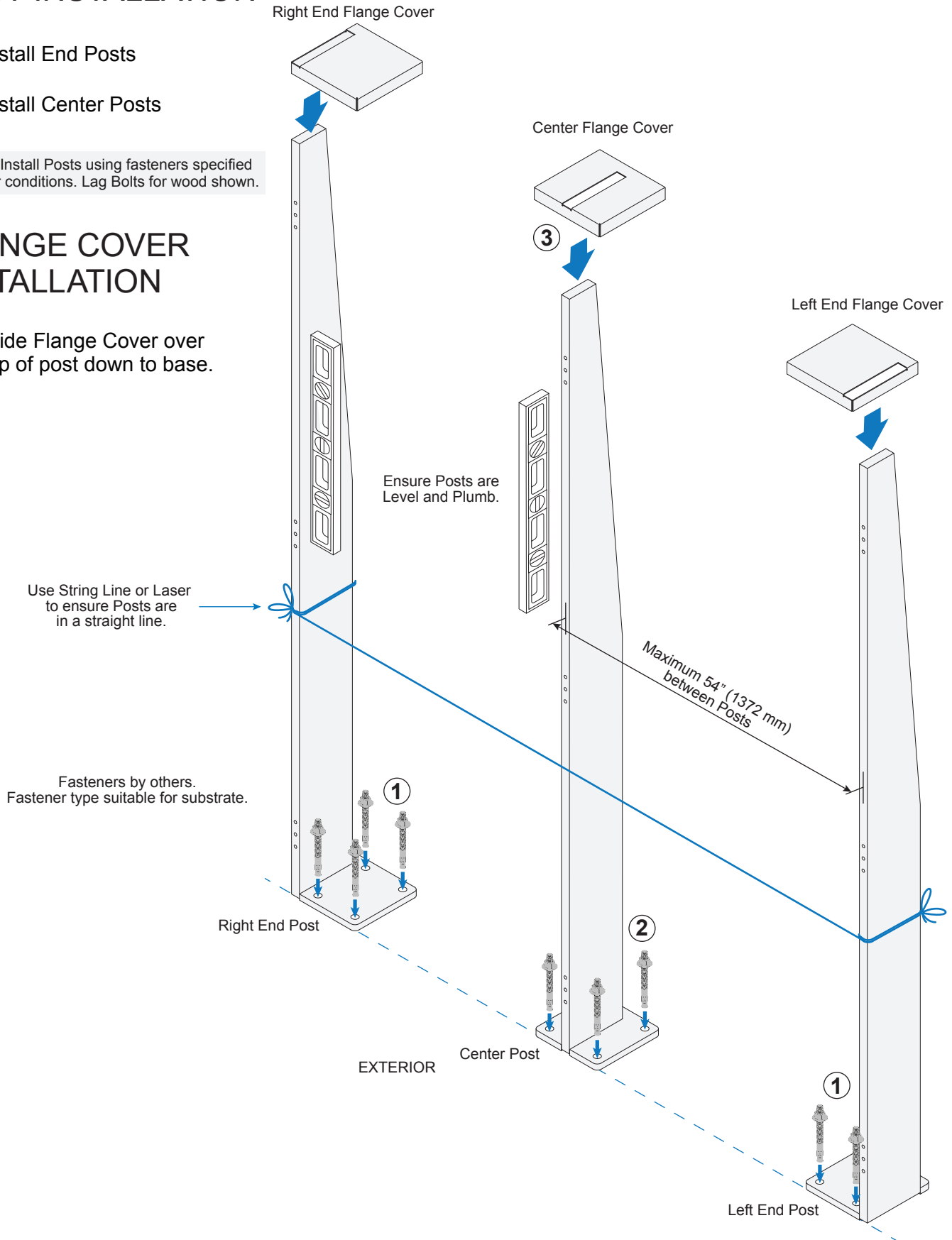
POST INSTALLATION

- ① Install End Posts
- ② Install Center Posts

NOTE: Install Posts using fasteners specified for your conditions. Lag Bolts for wood shown.

FLANGE COVER INSTALLATION

- ③ Slide Flange Cover over top of post down to base.



GLASS CLAMP INSTALLATION

① Unpack and remove Clamping Plates from End and Center Glass Clamps.

② Install End Glass Clamps at top and middle of Left and Right End Posts.

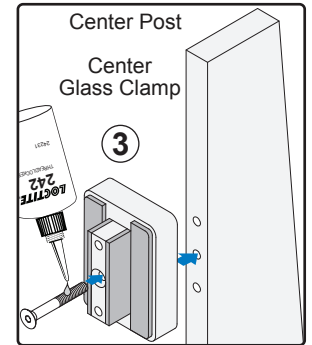
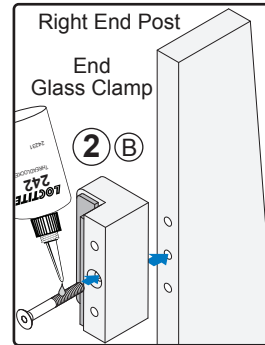
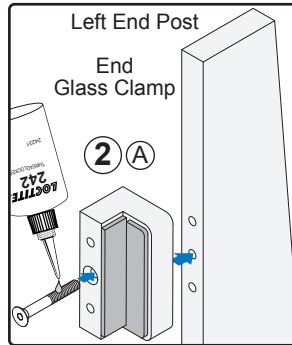
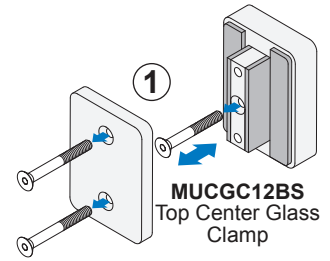
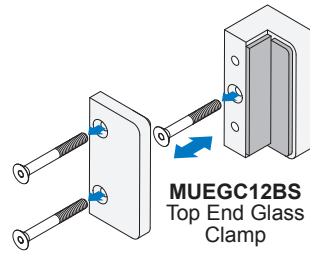
NOTE: Orient Top Glass Clamps with glass pocket facing glass when attaching to posts.

③ Install Center Glass Clamps at top and middle of Center Posts.

④ Unpack and remove Clamping Plates from Bottom Glass Clamps.

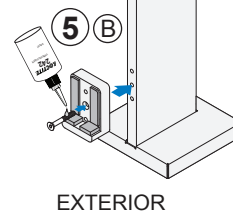
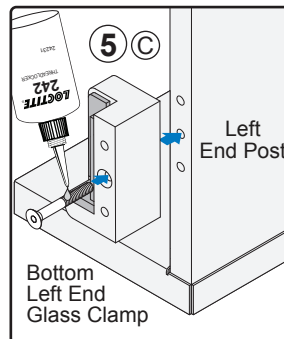
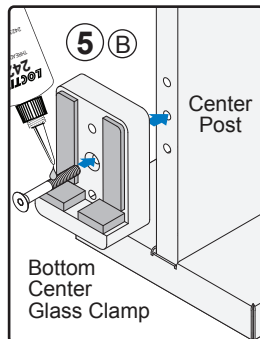
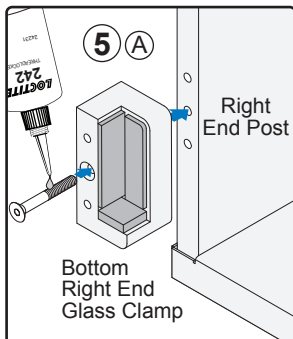
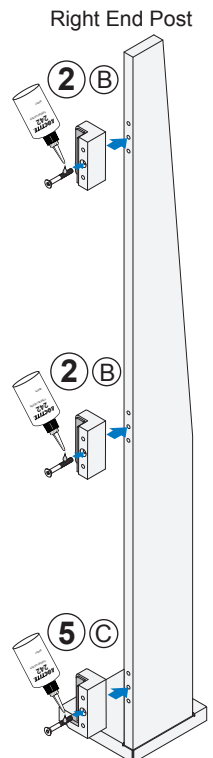
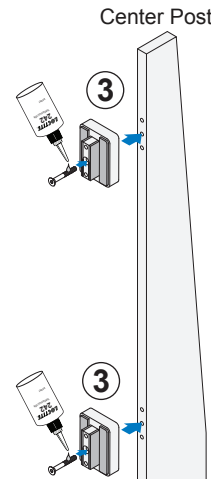
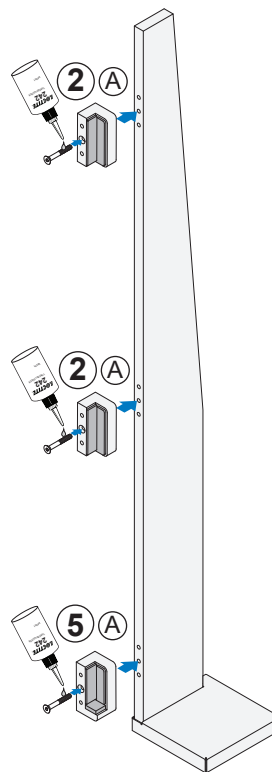
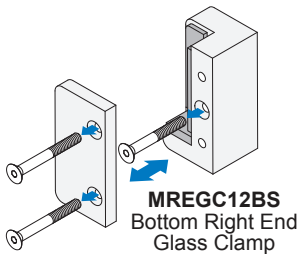
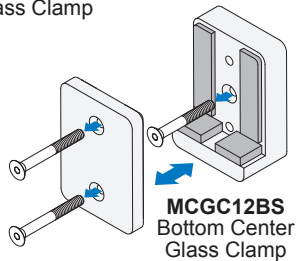
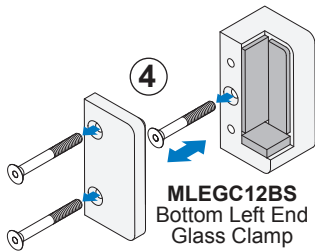
⑤ Install Bottom Glass Clamps at the bottom of Posts.

NOTE: Orient Bottom Glass Clamps with glass pockets facing glass when attaching to posts.



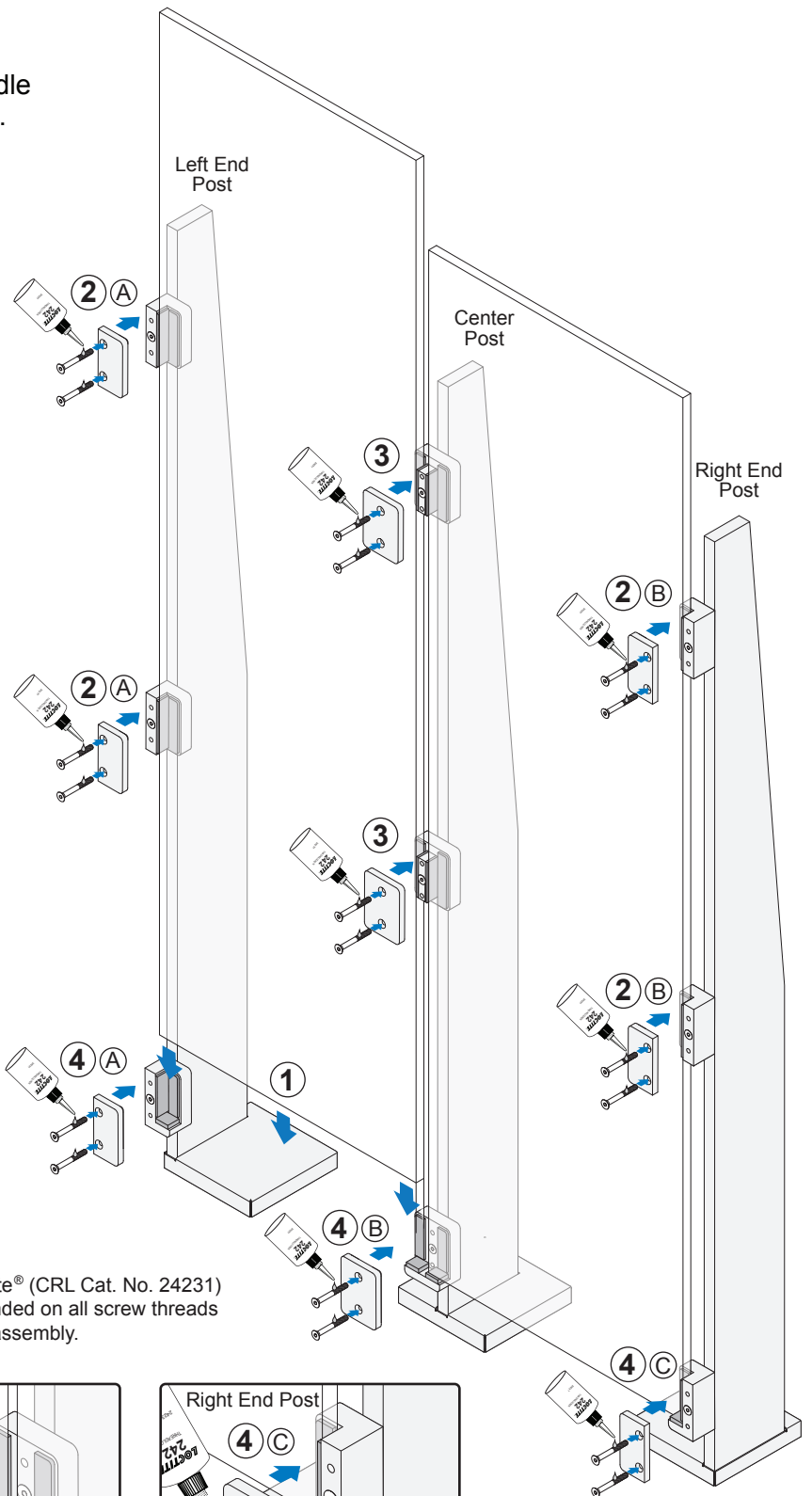
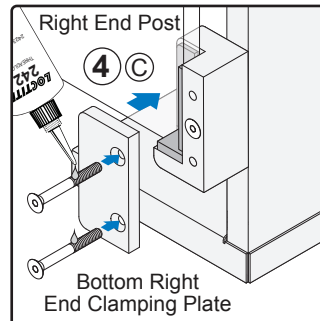
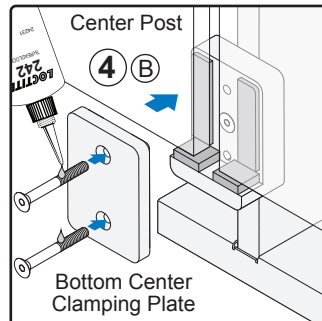
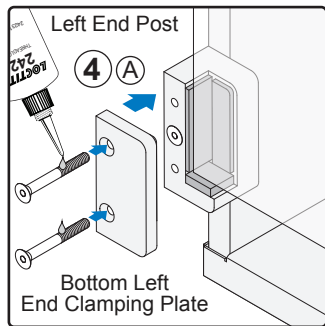
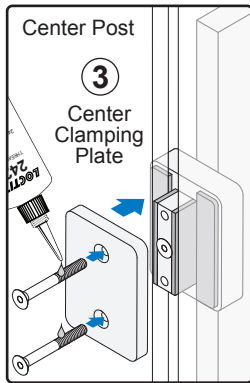
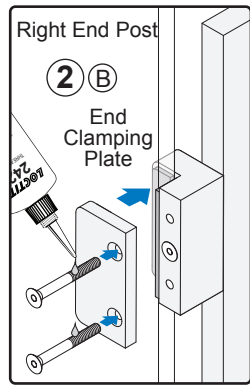
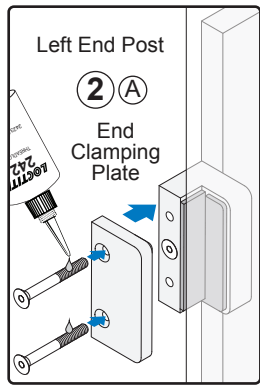
Left End Post

* NOTE: Loctite® (CRL Cat. No. 24231) is recommended on all screw threads during final assembly.



GLASS INSTALLATION

- ① Fit Glass Panels between top and middle Clamps and lower into Bottom Clamps.
- ② Install End Clamping Plates at top and middle of Left and Right End Posts.
- ③ Install Center Clamping Plates at Center Posts.
- ④ Install Bottom Clamping Plates at bottom of Posts.



* NOTE: Loctite® (CRL Cat. No. 24231) is recommended on all screw threads during final assembly.