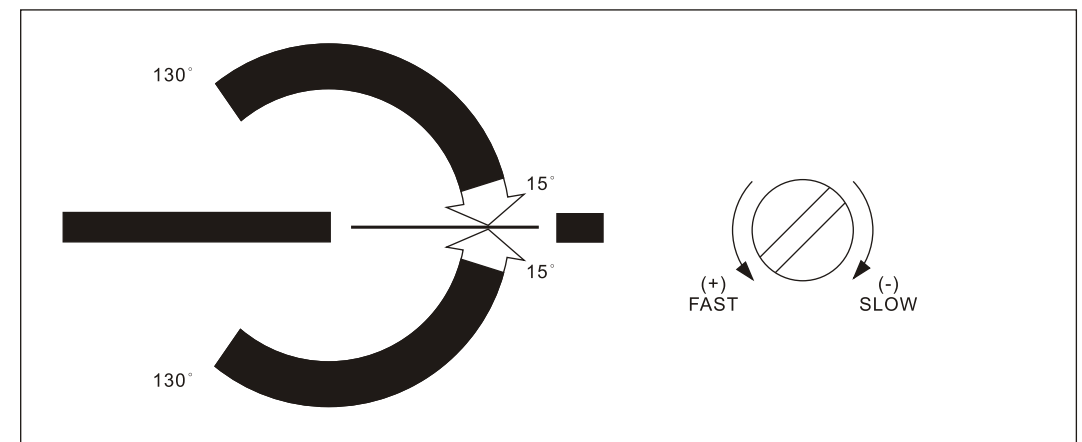
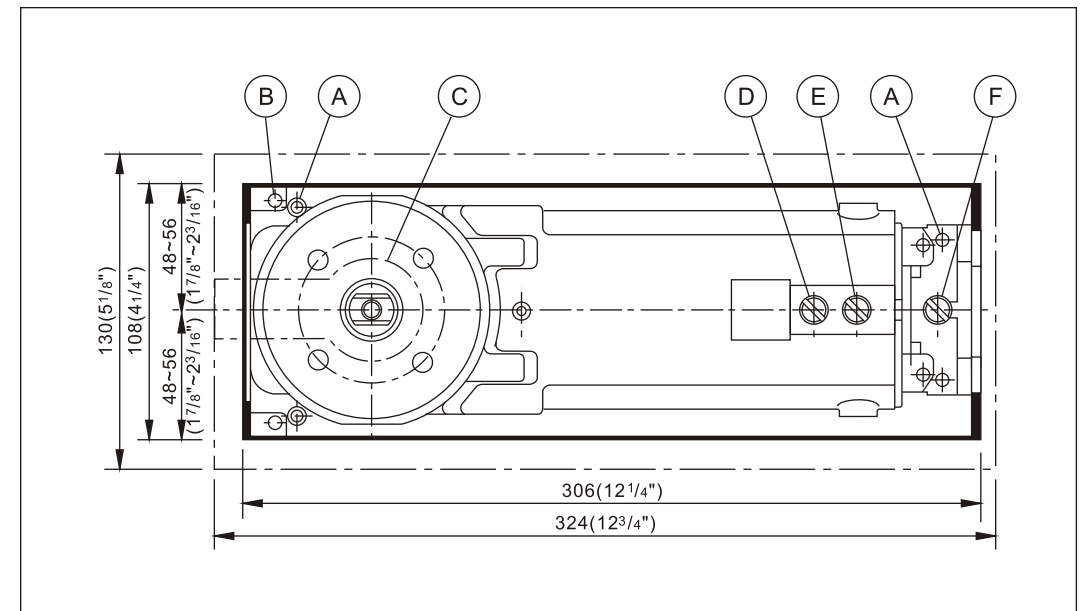
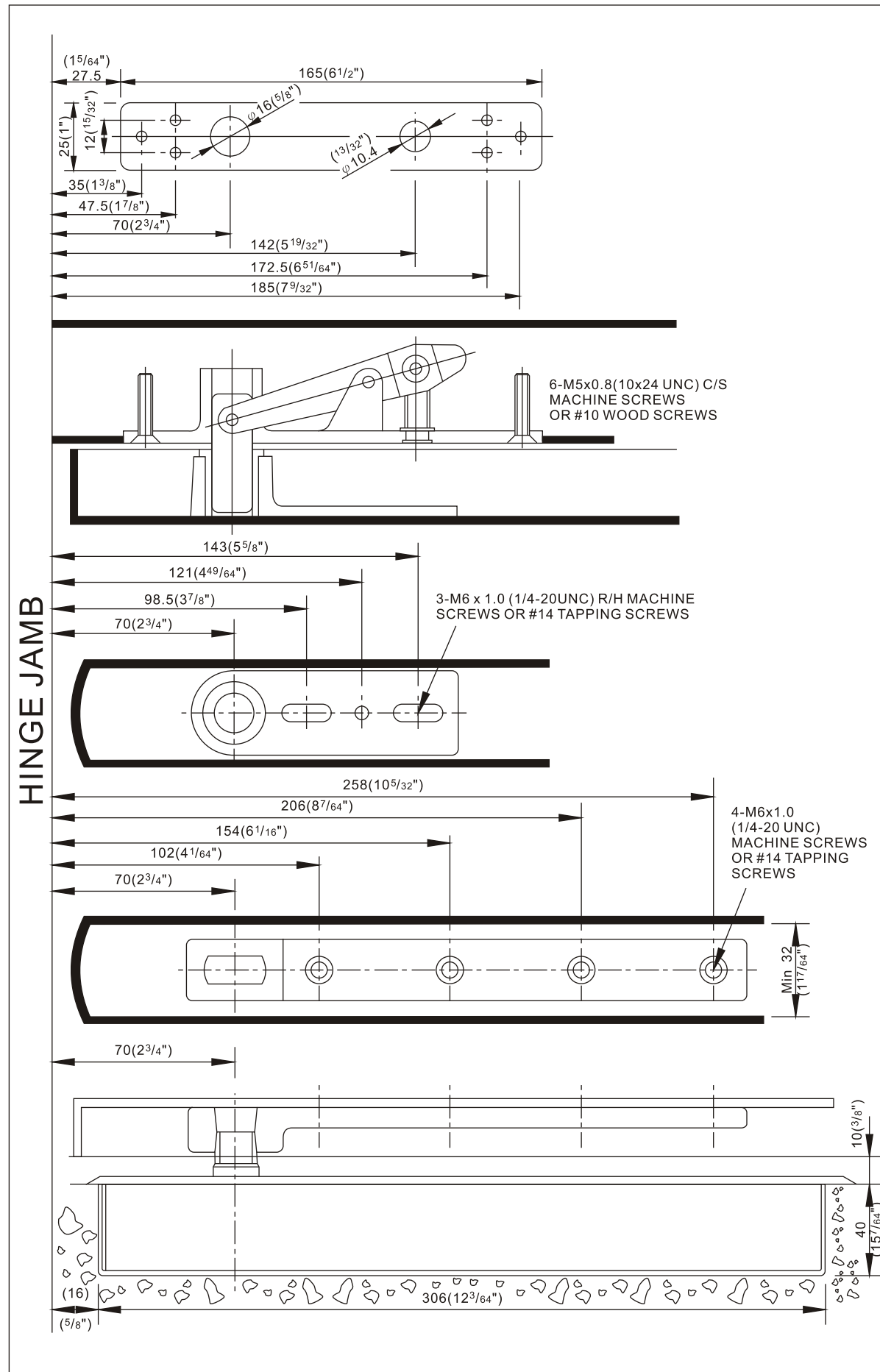


CRL HEAVY WEIGHT, FLOOR MOUNT DOOR CLOSERS - CRL8360, CRL8370, CRL8372 INSTALLATION INSTRUCTIONS



SERVING THE INDUSTRY FROM 17 NORTH AMERICAN LOCATIONS
C.R. Laurence Co., Inc. Toll Free (800) 421-6144 FAX (800) 262-3299
 Visit our home page on the WWW at [Http://www.craurence.com](http://www.craurence.com)



INSTALLATION & ADJUSTMENT

- (1) PREPARE FRAME AND DOOR RAILS AS DETAILED AND INSTALL DOOR STRAP AND PIVOT SET.
- (2) CUT OUT RECESS IN FLOOR LARGE ENOUGH FOR CEMENT CASE AND FIT FLOOR SPRING IN POSITION.
ENSURE SPINDLE ALIGNS WITH PIVOT PIN IN FRAME.
TAKE DUST PLATE (C) FROM COVERPLATE PACK AND PLACE OVER SPINDLE BEFORE HANGING DOOR.
- (3) LIFT DOOR ONTO FLOOR SPRING AND OPEN DOOR ENOUGH TO REVEAL PIVOT PIN RETRACTING SCREW.
- (4) TURN SCREW COUNTER-CLOCKWISE UNTIL PIN FULLY ENGAGES WITH PIVOT IN DOOR.
- (5) TO ADJUST THE CLEARANCE BETWEEN HINGE JAMB AND DOOR STILE. LOOSEN SCREWS (F), (B).
- (6) TO ADJUST DOOR HEIGHT, LOOSEN SCREWS (F), (B) AND ADJUST SCREWS (A)
- (7) TO CENTRE DOOR. LOOSEN SCREWS (B), (F).
- (8) TO ADJUST THE SPEED FROM 105° ~15° TURN VALVE SCREW (D) COUNTER-CLOCKWISE FOR FASTER AND CLOCKWISE FOR SLOWER.
- (9) FOR THE LAST 15° OF LATCHING TURN VALVE SCREW (E) COUNTER-CLOCKWISE FOR FASTER AND CLOCKWISE FOR SLOWER.
- (10) FIT COVERPLATE WITH 3SCREWS.