

BLUMCRAFT PA300 SERIES PANIC HANDLE

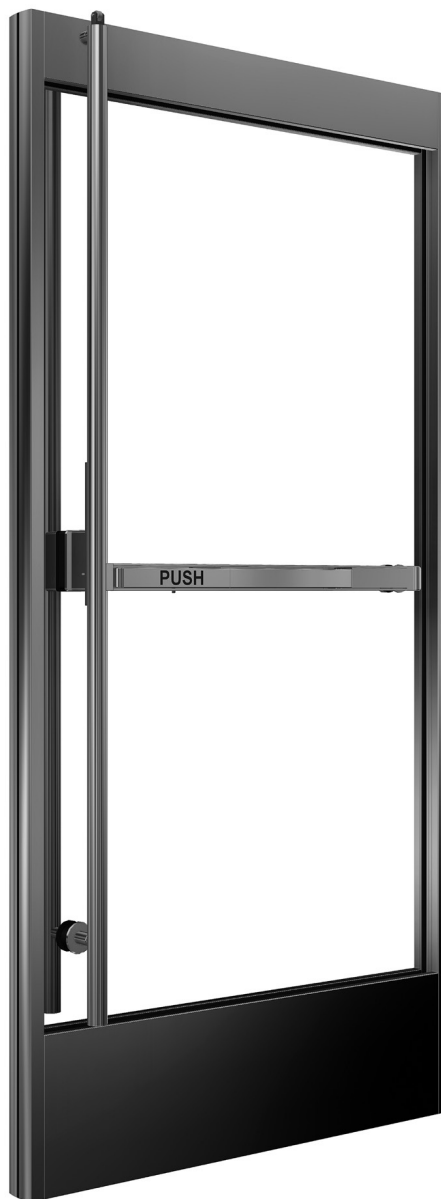


TABLE OF CONTENTS

USING THIS MANUAL	3
ORDER OF INSTALLATION	3
UNPACK	3
INCLUDED TOOLS.....	3
TOOLS NEEDED	3
KEY CONNECTION REFERENCE POINTS	4 - 5
PA300F, PA300Z, PA310FS and PA310Z.....	4
PA320JS and PA320Z	5
IDENTIFY YOUR CONNECTION POINTS	6
INSTALL EXTERIOR HANDLE	7 - 9
R2 TOP	7
R2 BOTTOM	7
S2 BOTTOM.....	8
G2 TOP	9
G2 BOTTOM	9
INSTALL INTERIOR KAD	10
K2 INSTALLATION	10
K1 INSTALLATION.....	10
INSTALL INTERIOR HANDLE	11 - 13
R1 or R2 TOP	11
R1 or R2 BOTTOM	11
G1 TOP	12
G1 BOTTOM	12
S1 BOTTOM.....	13
S2 BOTTOM.....	13
ATTACH INTERIOR HANDLE TO INTERIOR KAD (K1, K2)	14
INSTALL CRASH BAR	14 - 15
F INSTALLATION.....	15
ADJUST RETRACTABLE BOLT	16
HANDLE CARE AND CLEANING	17

USING THIS MANUAL

Blumcraft PA300 Panic Handles are available in several styles based on different combinations of interior and exterior handles that can be mounted on either glass, rail, or Entice doors. The installation of all options for glass and rail doors are covered in this manual.

Find your handle style number on Pages 4 - 5. Each configuration is shown labeled with the key connection points for glass and rail mount. Note the combination of the connection points for your particular handle. Follow the order of installation in this manual and select the connection option for your handle at each step.

ORDER OF INSTALLATION

Step 1: Install Exterior Handle (if Present)

NOTE: For Glass Application, Step 2 is started before Top and Bottom Step 1 Connections are completed.

Step 2: Install Interior KAD Housing

Step 3: Install Interior Handle

Step 4: Install Crash Bar

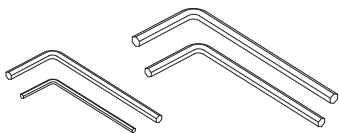
IMPORTANT: READ THIS MANUAL THOROUGHLY BEFORE BEGINNING INSTALLATION

UNPACK

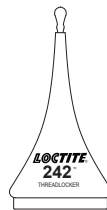
All Blumcraft PA300 Panic Handles are fabricated specifically for your order, tested and then shipped partially assembled. Refer to the installation instructions for all the connection points for your handle in this manual before you begin to disassemble. Observe how the handle is assembled before you begin and then disassemble and reassemble it directly onto the door.

NOTE: Install the handle before hanging the door whenever possible.

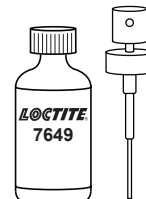
INCLUDED TOOLS



5/64", 1/8", 3/16" and 1/4" Allen Wrenches Included



Loctite® 242 Threadlocker Included Bottle



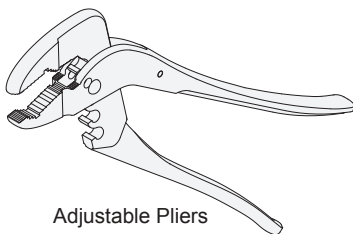
Loctite® 60 Second Primer



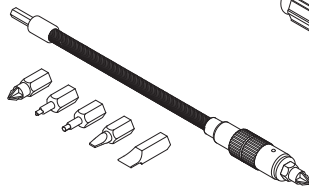
Loctite® Metal Contact Cement

Supplied with Optional "Add On" 90° Return Only.

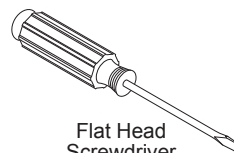
TOOLS NEEDED



Adjustable Pliers



Hex Bit Set with Flexible Shaft Attachment to bend around corners Helpful to install Crash Bar



Flat Head Screwdriver



CRL Lith-Ease White Lithium Grease



Rubber Gasket

NOTE: Use for protection with metal grip pliers. Not needed with CRL Adjustable Pliers with plastic grips.

If you have any questions, please contact CRL Technical Sales at (800) 421-6144 or visit our web site at www.crlaurence.com.

KEY CONNECTION REFERENCE POINTS

PA300F, PA300Z, PA310FS and PA310Z

PA300F

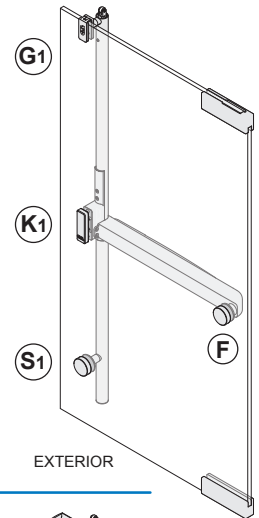
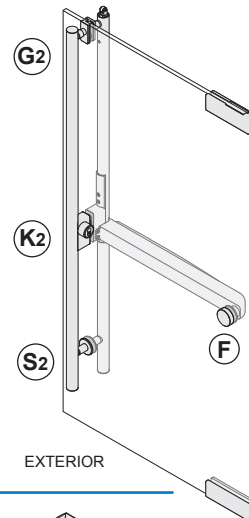
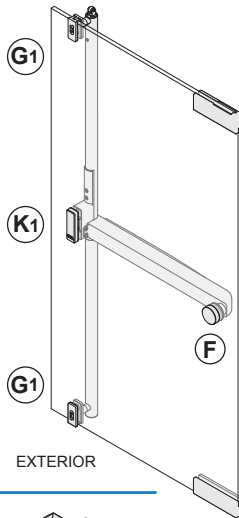
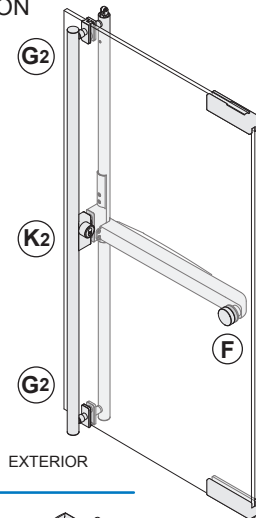
PA300Z

PA310FS

PA310Z

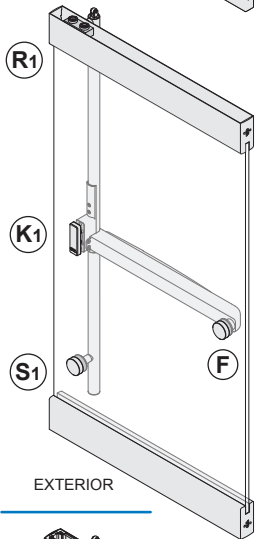
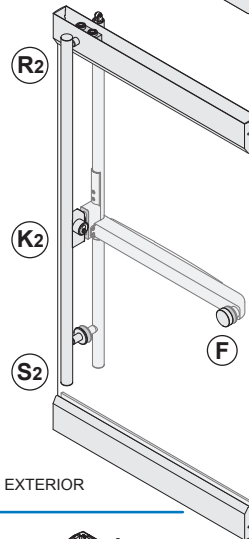
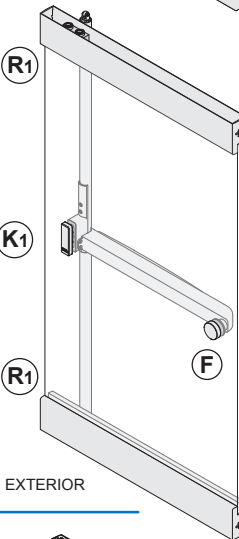
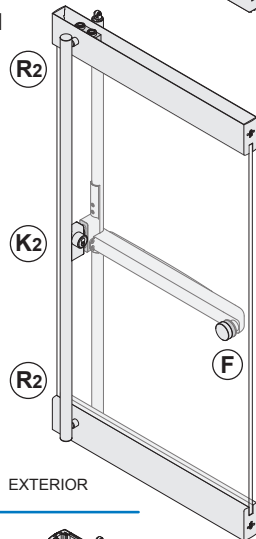
GLASS APPLICATION

1/2" (13 mm) Glass
3/4" (19 mm) Glass



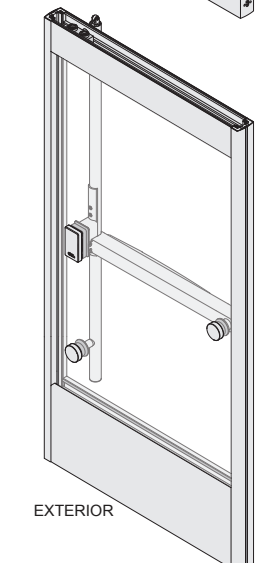
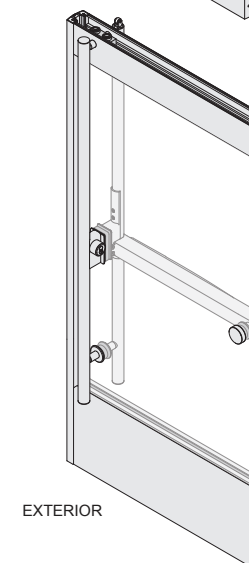
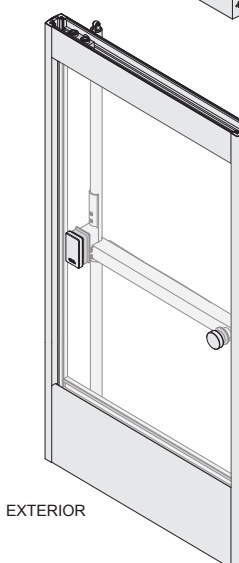
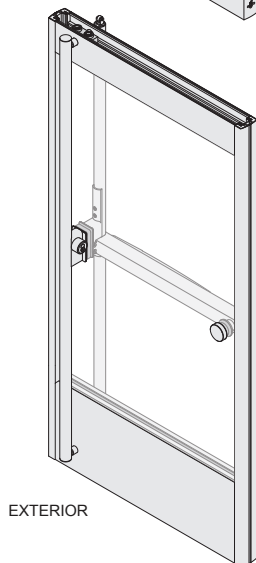
RAIL APPLICATION

1/2" (13 mm) Glass
3/4" (19 mm) Glass



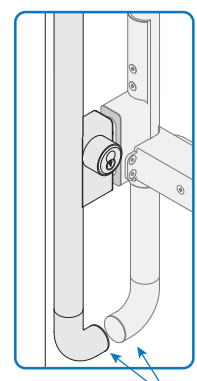
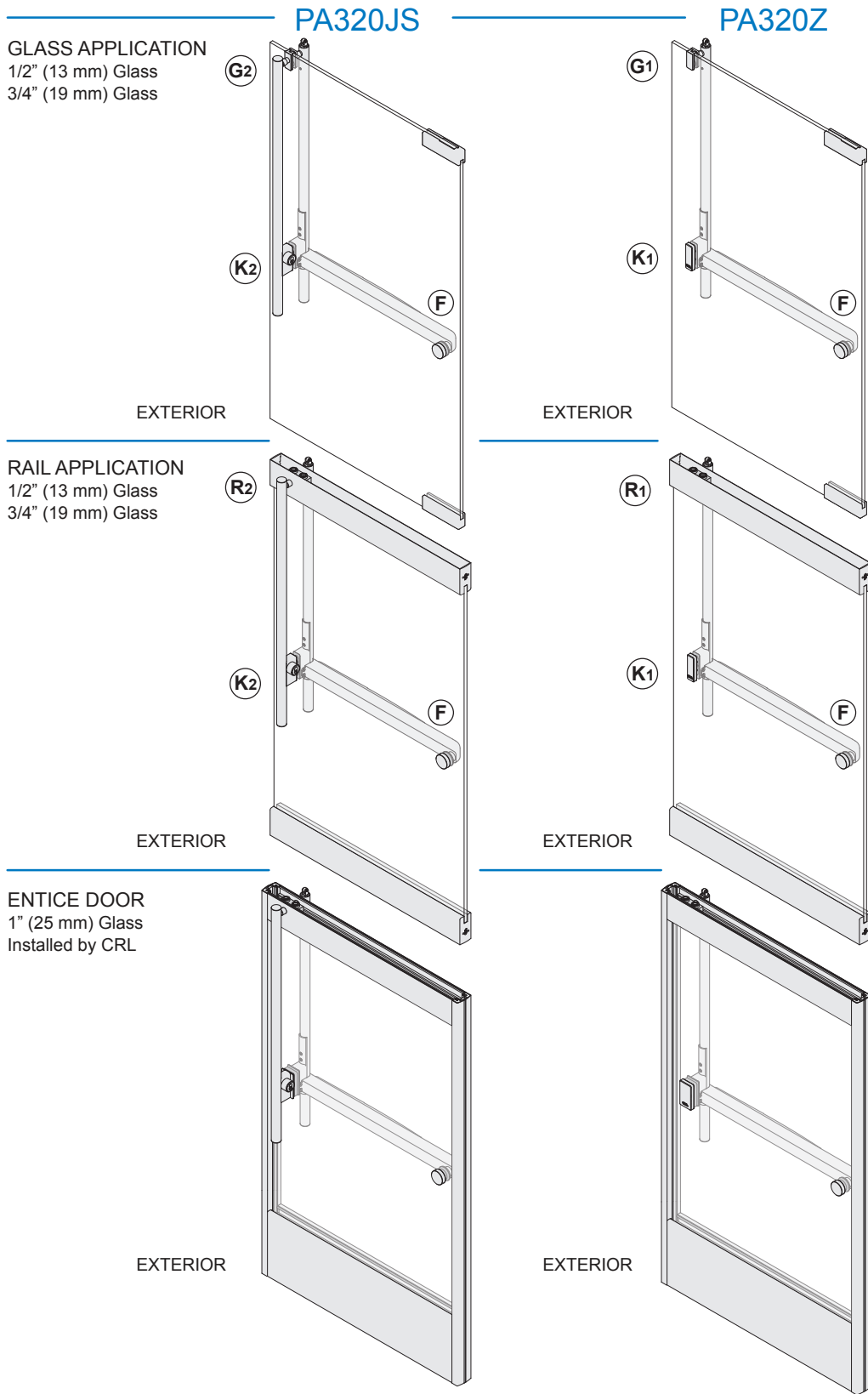
ENTICE DOOR

1" (25 mm) Glass
Installed by CRL

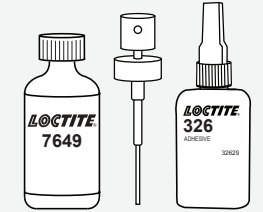


KEY CONNECTION REFERENCE POINTS (CONTINUED)

PA320JS and PA320Z



NOTE: Optional "Add On" 90° Return is available with all PA320 Models. No glass hole is required.

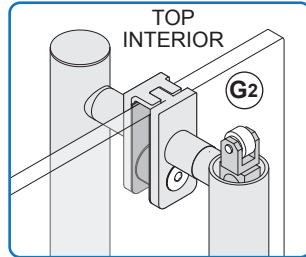
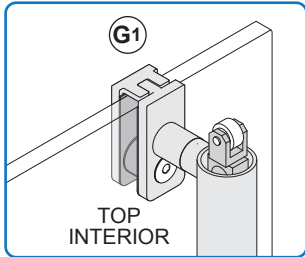


Use Cat. No. 7649 and Cat. No. 32629 to install.

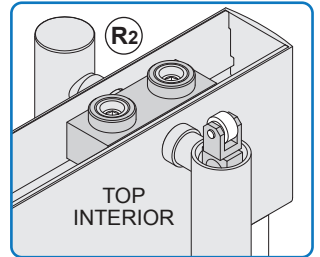
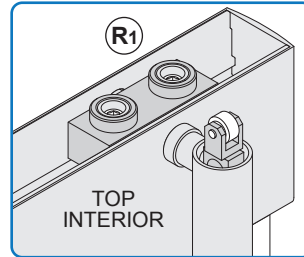
IDENTIFY YOUR CONNECTION POINTS

Find your handle style number on Pages 4 and 5. Note the combination of the connection points for your handle. Follow the installation order in this manual and select the connection option for your handle at each step.

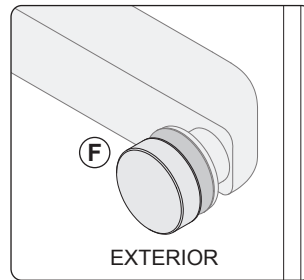
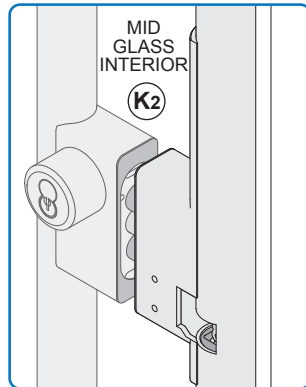
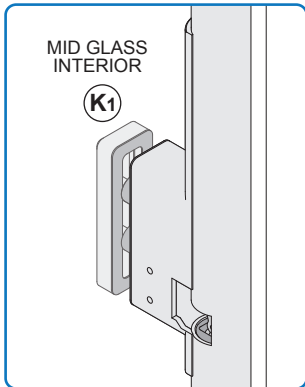
Top Glass Connection Options



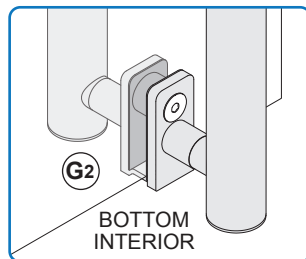
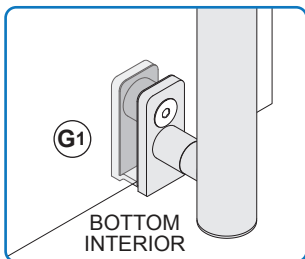
Top Rail Connection Options



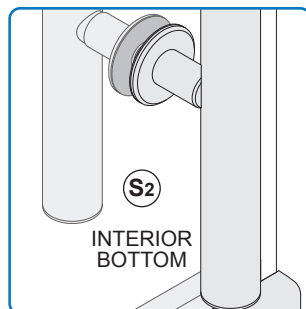
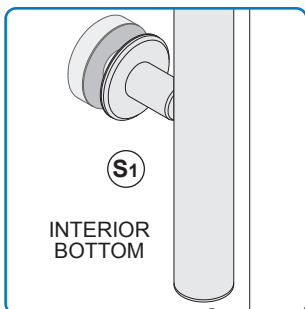
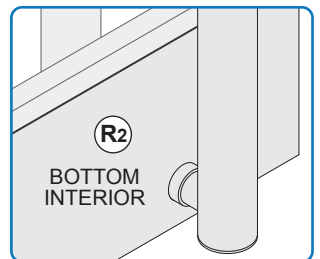
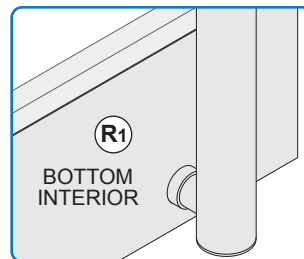
Mid Glass Connection Options



Bottom Glass Connection Options



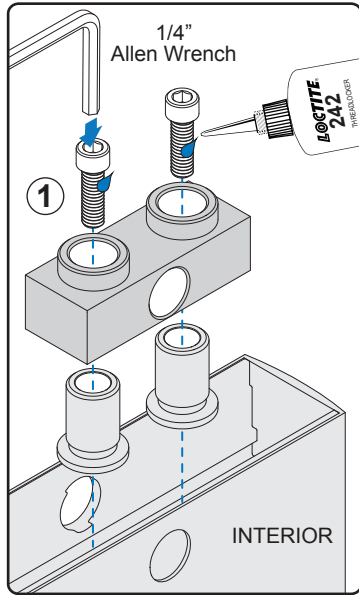
Bottom Rail Connection Options



INSTALL EXTERIOR HANDLE R2 TOP

Models PA300F, PA310FS and PA320JS
RAIL DOOR

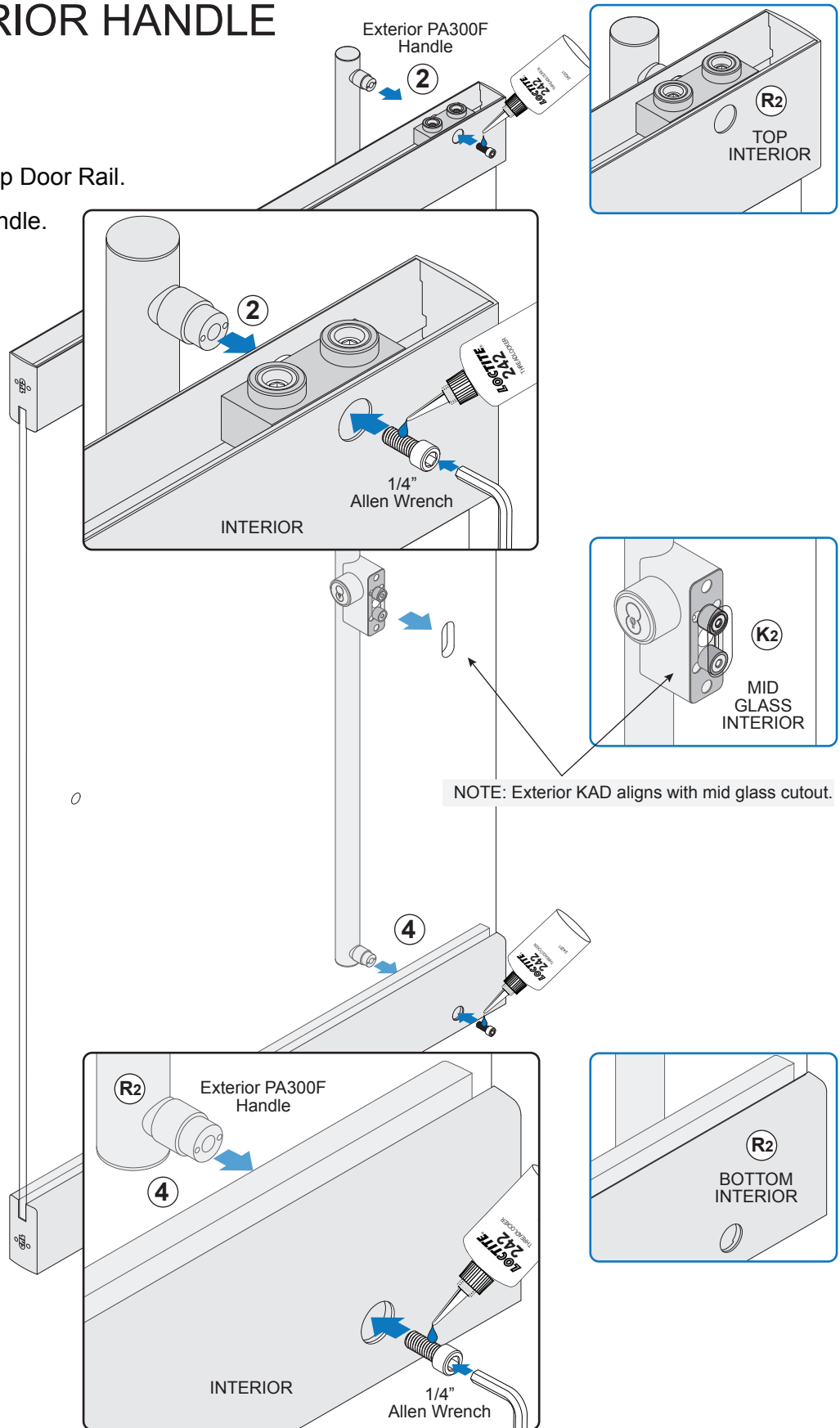
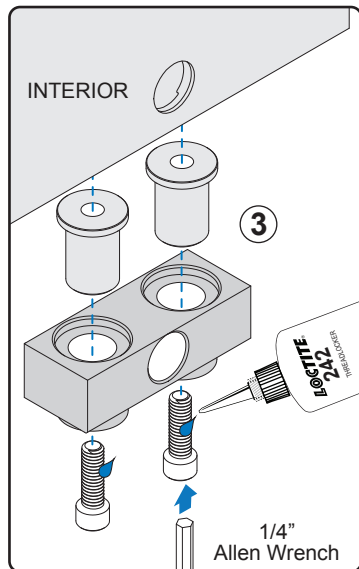
- 1 Install Adaptor Block to Top Door Rail.
- 2 Install Top R2 Exterior Handle.



R2 BOTTOM

Model PA300F
RAIL DOOR

- 3 Install Adaptor Block to Bottom Door Rail.
- 4 Install Bottom R2 Exterior Handle.



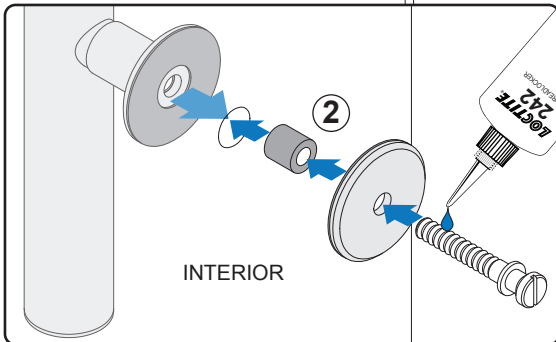
* Loctite® is recommended on all screw threads during final assembly.

INSTALL EXTERIOR HANDLE (CONTINUED)

S2 BOTTOM

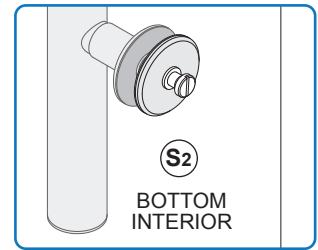
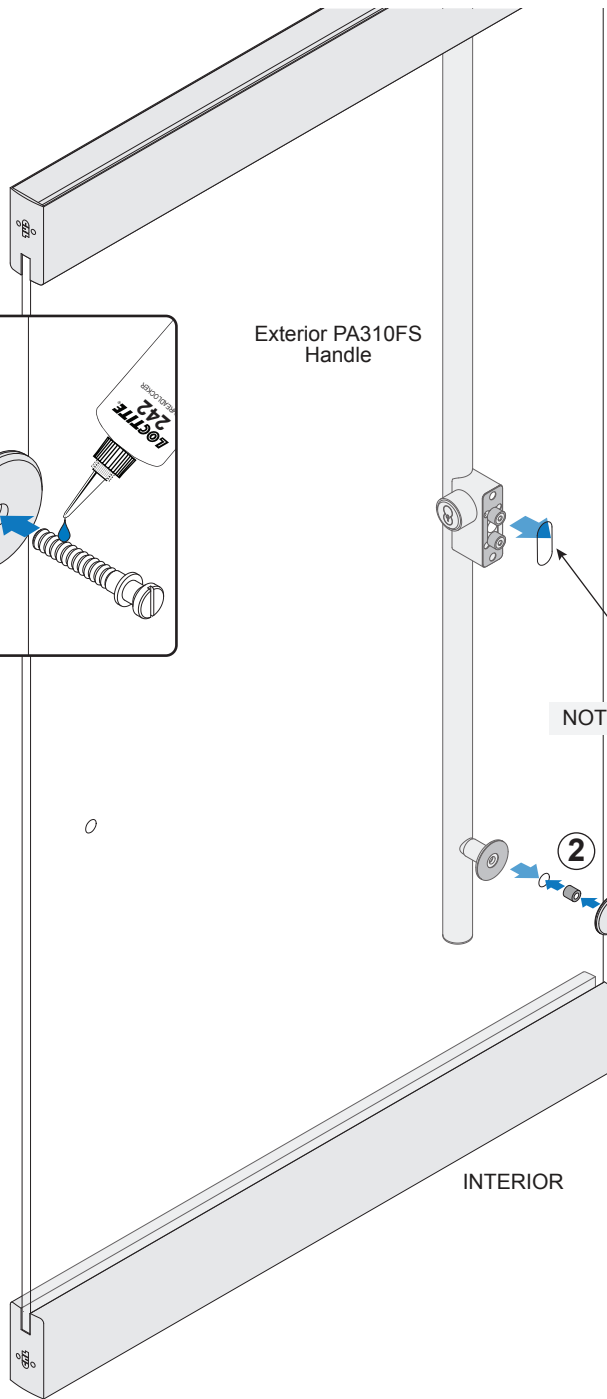
Model PA310FS
RAIL DOOR

- ① See Page 7 to install Top R2 Exterior Handle.
- ② Install Bottom S2 Exterior Handle.

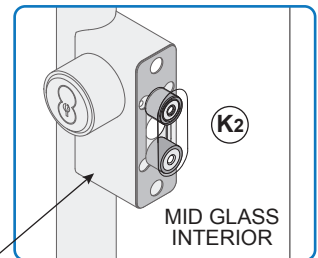


Model PA310FS
ALL GLASS DOOR

- ① See Page 9 to install Top G2 Exterior Handle.
- ② Install Bottom S2 Exterior Handle.



NOTE: Rail door shown with R2 Top. For glass door, see instructions for G2 Top before installing S2 Bottom.



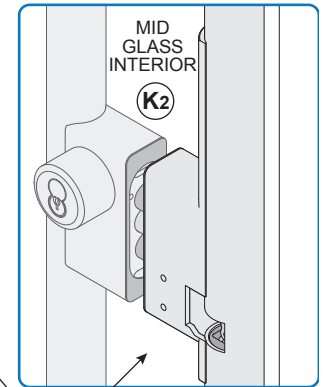
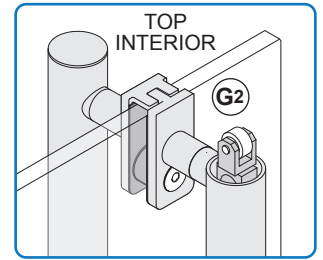
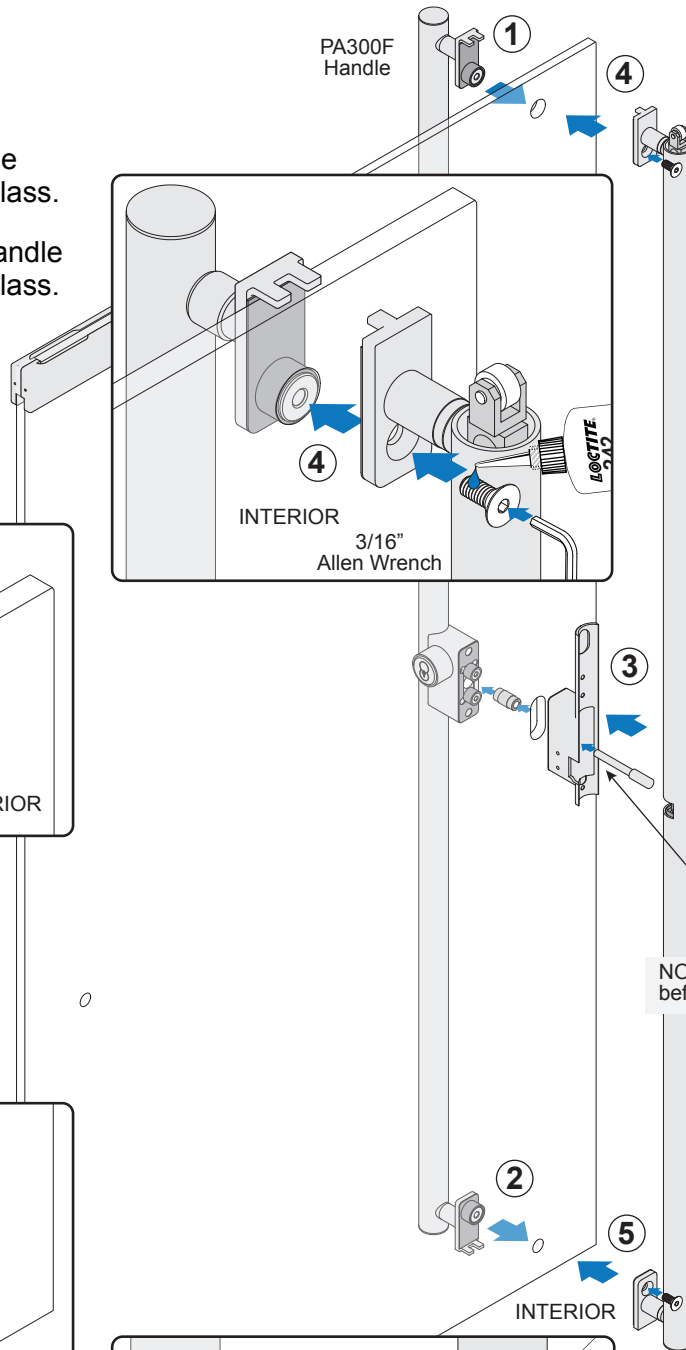
NOTE: Exterior KAD aligns with mid glass cutout.

INSTALL EXTERIOR HANDLE (CONTINUED)

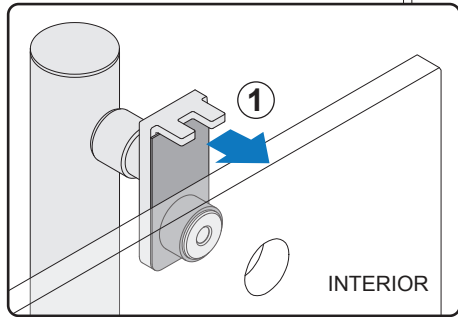
G2 TOP

Models PA300F, PA310FS and PA320JS
ALL GLASS DOOR

- ① Fit Exterior G2 Top Handle with Gasket into hole in glass.
- ② Fit Exterior G2 Bottom Handle with Gasket into hole in glass.
- ③ Install Interior KAD as shown on Page 10.
- ④ Install Top G2 Interior Handle.



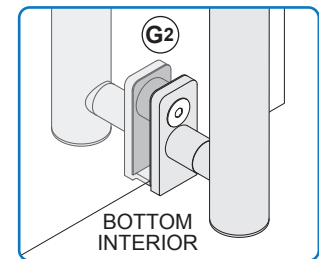
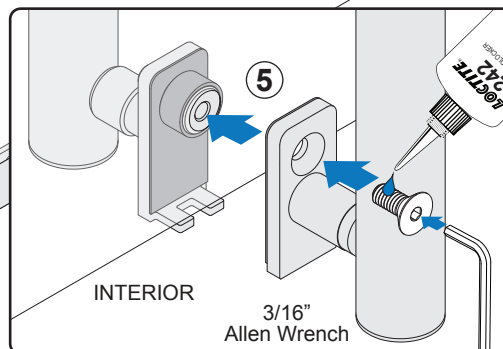
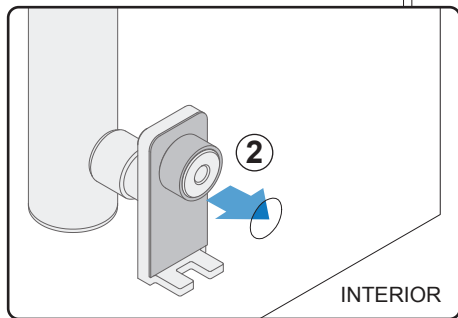
NOTE: Interior KAD must be installed before interior handle. See Page 10.



G2 BOTTOM

Model PA300F
ALL GLASS DOOR

- ⑤ Install Bottom G2 Interior Handle.

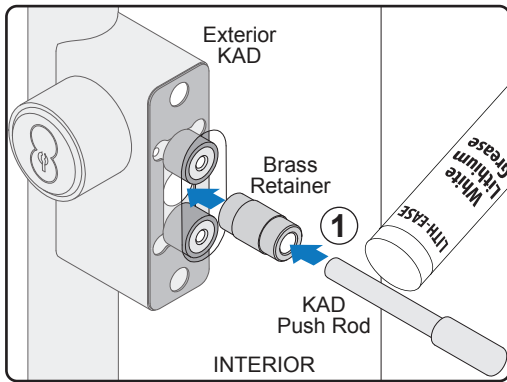


* Loctite® is recommended on all screw threads during final assembly.

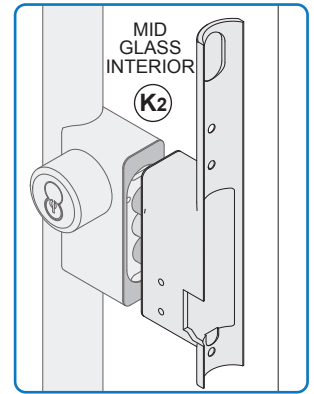
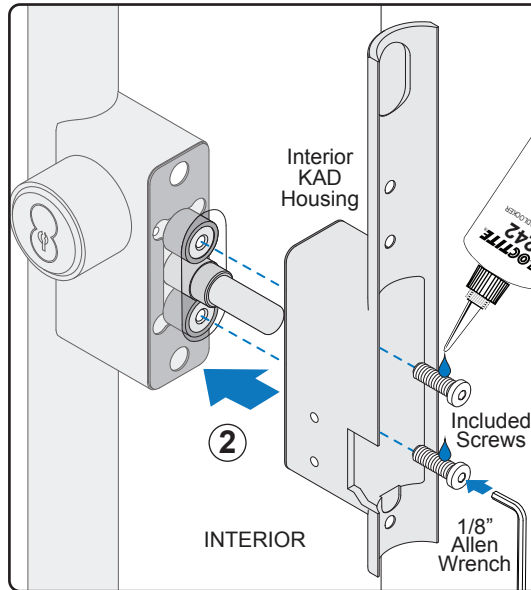
INSTALL INTERIOR KAD K2 INSTALLATION

Models PA300F, PA310FS and PA320JS
RAIL DOOR and ALL GLASS DOOR

- 1 Install Brass Retainer and KAD Push Rod in Exterior KAD.
- 2 Install Interior KAD Housing.



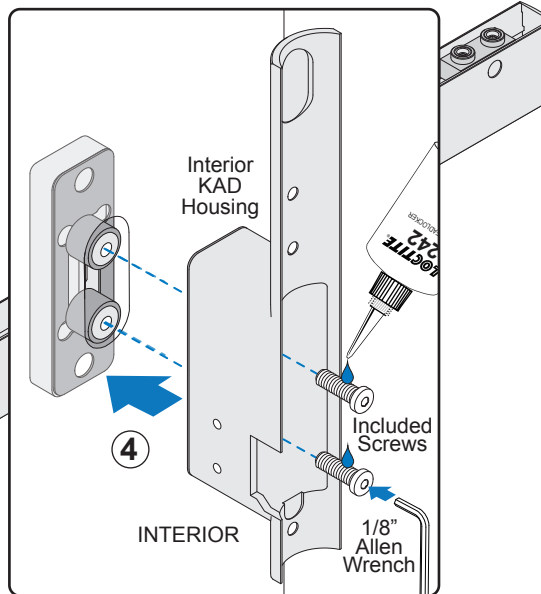
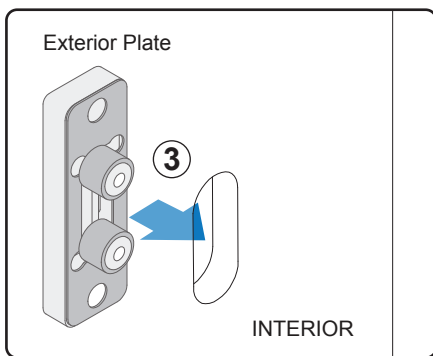
NOTE: Apply White Lithium Grease to KAD Push Rod.



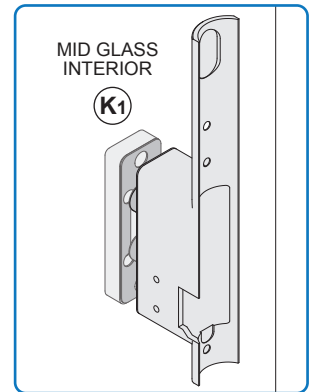
K1 INSTALLATION

Models PA300Z, PA310Z and PA320Z
RAIL DOOR and ALL GLASS DOOR

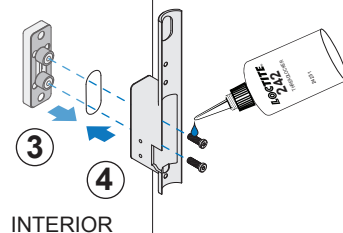
- 3 Fit Exterior Plate and Gaskets through mid glass cutout.
- 4 Install Interior KAD Housing.



NOTE: Make sure KAD Housing is plumb with edge of door.



NOTE: Rail door with R1 Top shown. Glass door similar.



* Loctite® is recommended on all screw threads during final assembly.

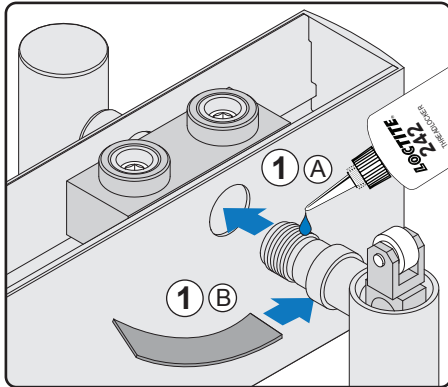
INSTALL INTERIOR HANDLE

R1 OR R2 TOP

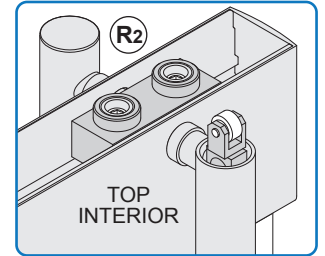
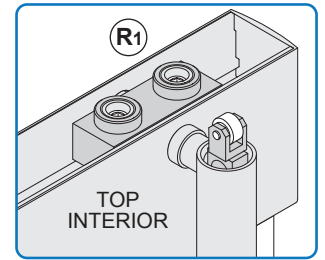
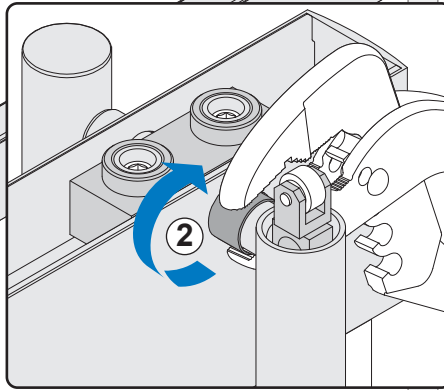
Models PA300F, PA310FS, PA300Z, PA320JS and PA320Z
RAIL DOOR

- ① Install Interior Top R1 or R2.
- ② Screw into Adaptor Block.

NOTE: R2 Top shown. R1 Top similar.



NOTE: Hand tighten first and then use pliers to completely tighten. Wrap post with rubber gasket to protect surface.



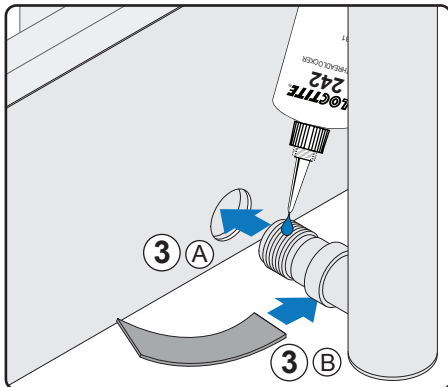
NOTE: Adjust Height of Adaptor Block if needed to align holes.

R1 OR R2 BOTTOM

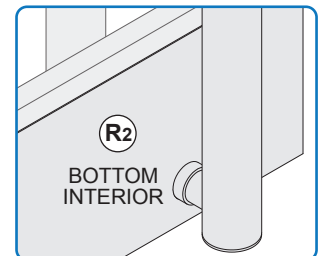
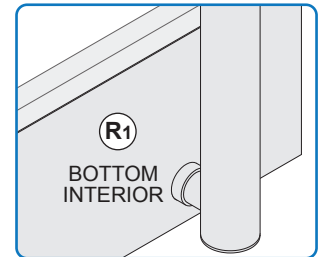
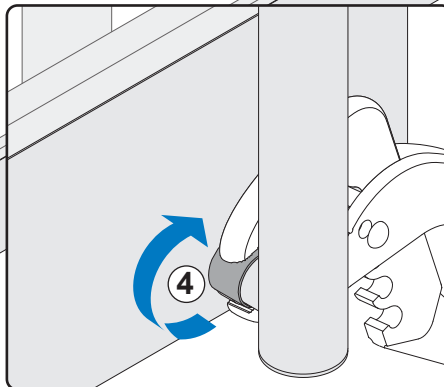
Models PA300F and PA300Z
RAIL DOOR

- ③ Install Interior Bottom R1 or R2.
- ④ Screw into Adaptor Block.

NOTE: R2 Bottom shown. R1 Top similar.



NOTE: Hand tighten first and then use pliers to completely tighten. Wrap post with gasket to protect surface.



NOTE: Adjust Height of Adaptor Block if needed to align holes.

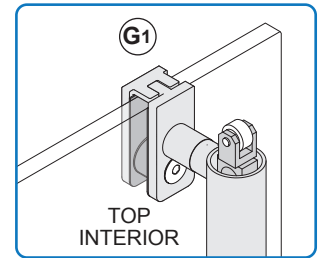
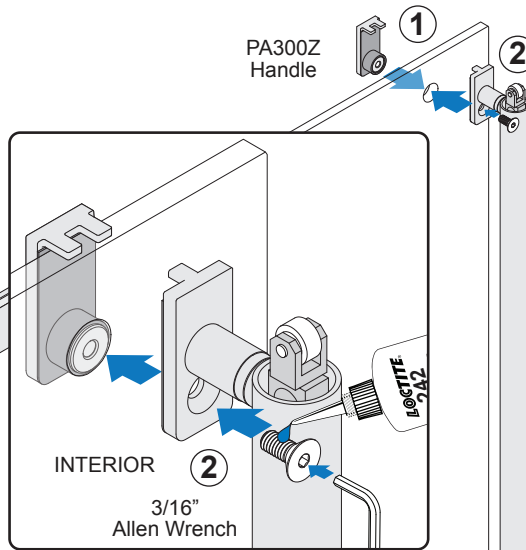
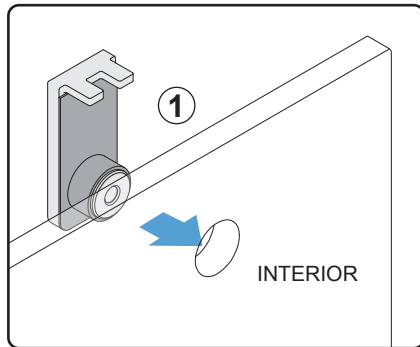
* Loctite® is recommended on all screw threads during final assembly.

INSTALL INTERIOR HANDLE (CONTINUED)

G1 TOP

Models PA300Z, PA310Z and PA320Z
ALL GLASS DOOR

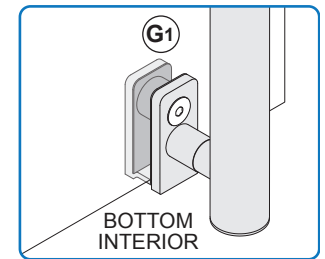
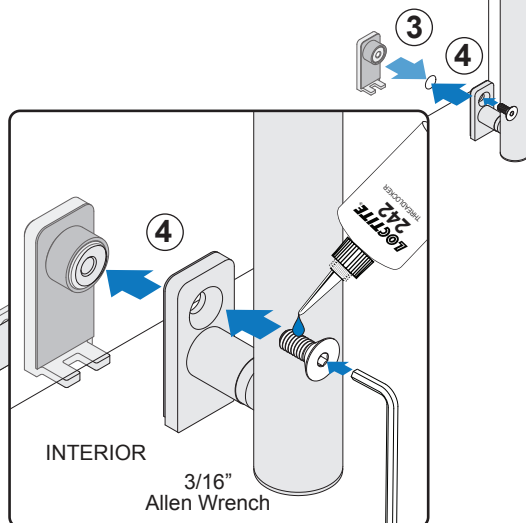
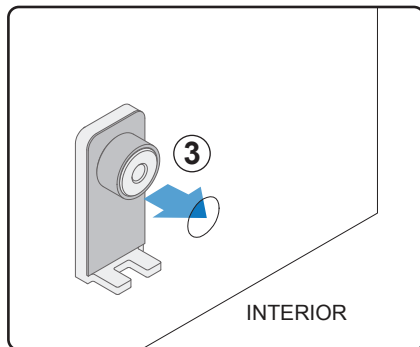
- ① Fit Exterior G1 Top Plate with Gasket into hole in glass.
- ② Fasten G1 Interior Handle at top with included screw.



G1 BOTTOM

Model PA300Z
ALL GLASS DOOR

- ③ Fit Exterior G1 Bottom Plate with Gasket into hole in glass.
- ④ Install Bottom G1 Interior Handle.



INTERIOR

* Loctite® is recommended on all screw threads during final assembly.

INSTALL INTERIOR HANDLE (CONTINUED)

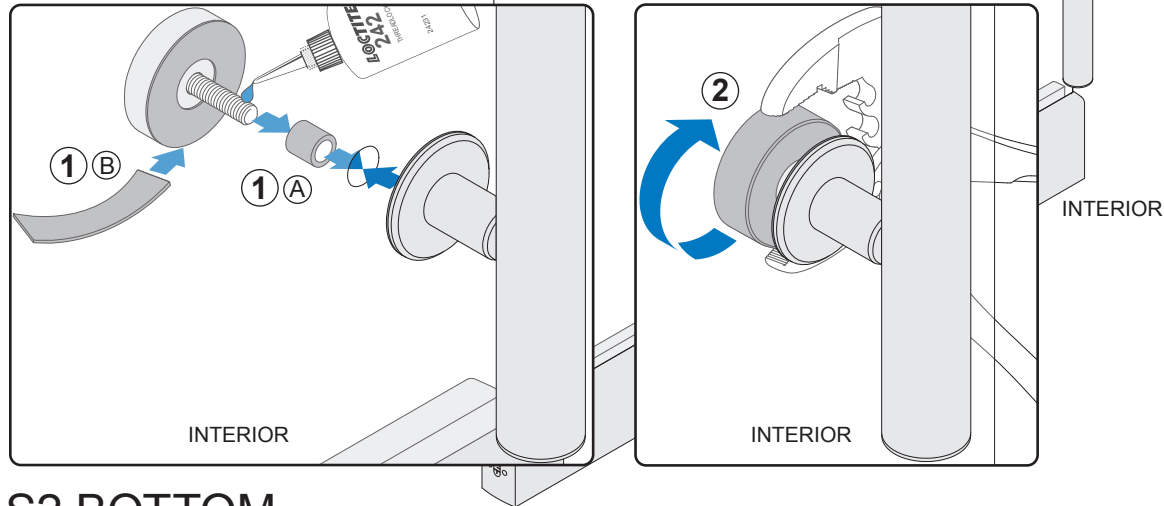
S1 BOTTOM

Model PA300Z

RAIL DOOR and ALL GLASS DOOR

NOTE: Rail door shown. Glass door similar.

- ① Fit End Cap and Gasket through hole in glass from exterior.
- ② Screw into Bottom Interior S1 Handle.



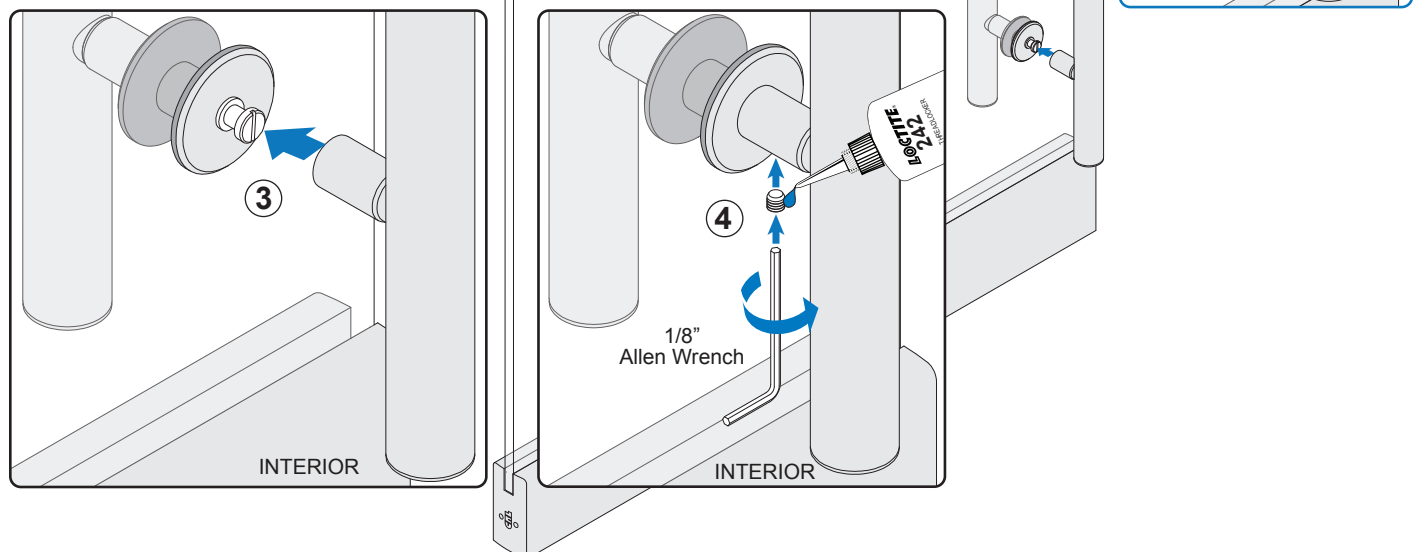
S2 BOTTOM

Model PA310FS

RAIL DOOR and ALL GLASS DOOR

NOTE: Rail door shown. Glass door similar.

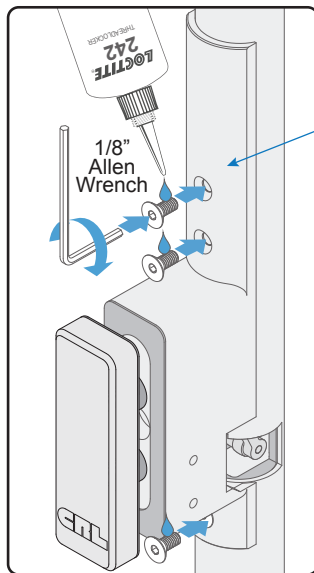
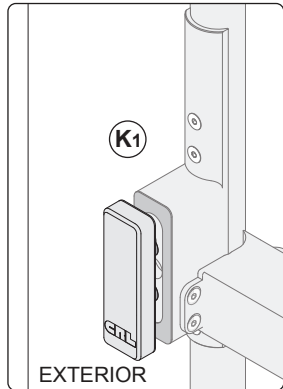
- ③ Fit Bottom Interior S2 Handle over screw.
- ④ Insert Set Screw. Secure with included Allen Wrench.



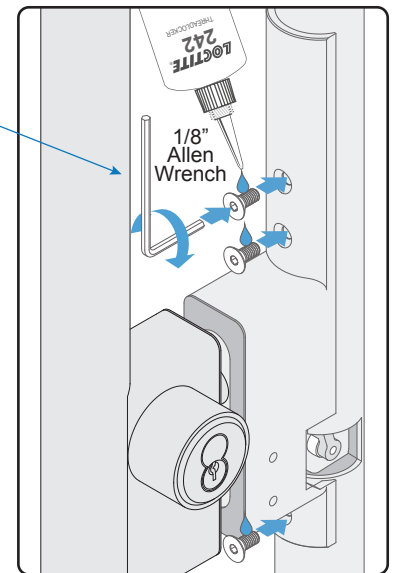
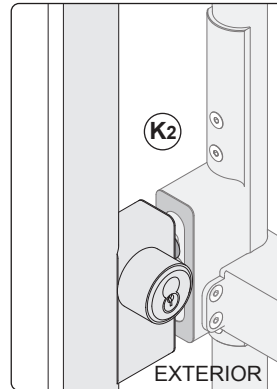
* Loctite® is recommended on all screw threads during final assembly.

ATTACH INTERIOR HANDLE TO INTERIOR KAD (K1, K2)

- 1 Attach Interior Handle to Interior KAD Housing.

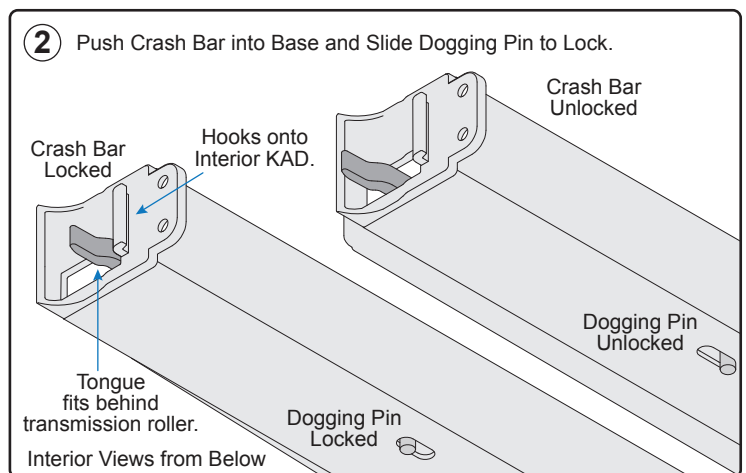
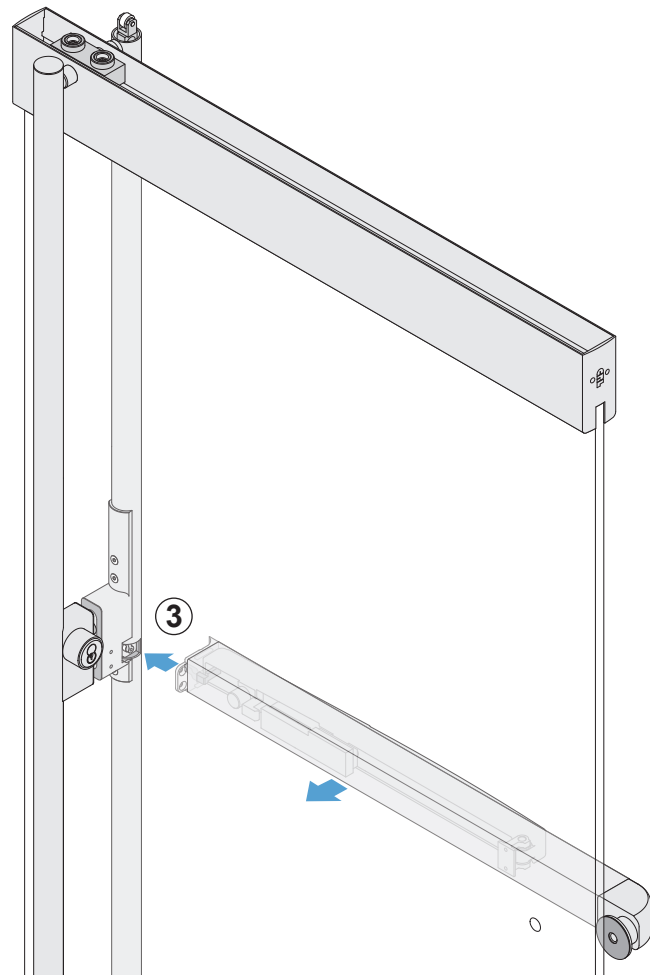


NOTE: Place screw with Loctite onto short side of included Allen Wrench and then fit into holes.

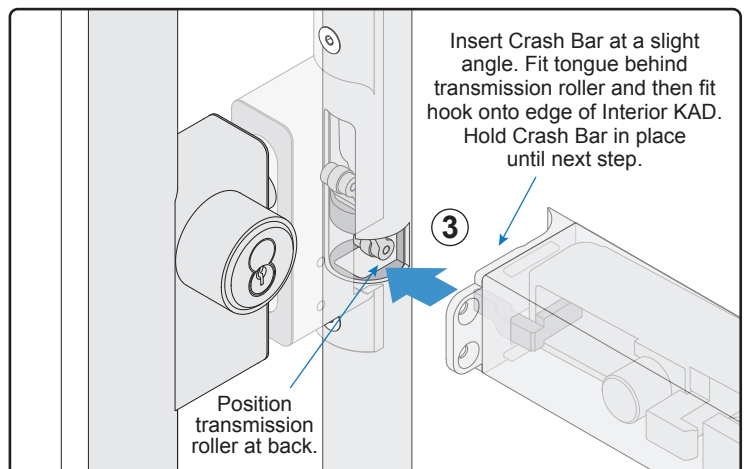


INSTALL CRASH BAR

- 2 Ensure Crash Bar is in locked position.
- 3 Fit Crash Bar into Interior Handle.



NOTE: Push transmission roller to back of Interior Handle before installing Crash Bar. Insert Crash Bar at slight angle so tongue sits behind roller and then straighten bar and hook onto Interior KAD. Hold in place until next step.

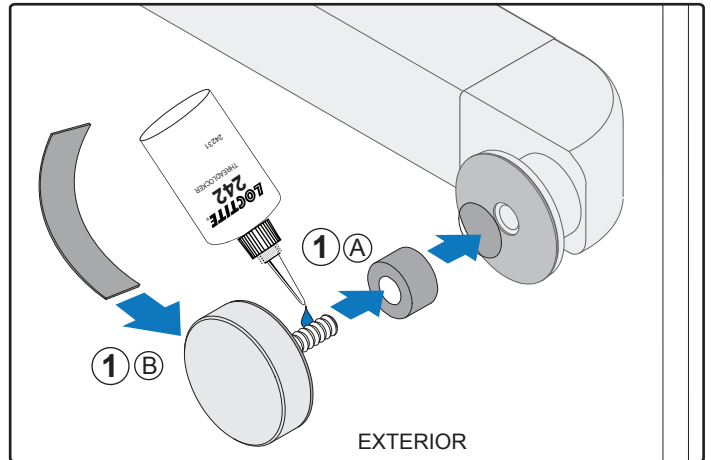
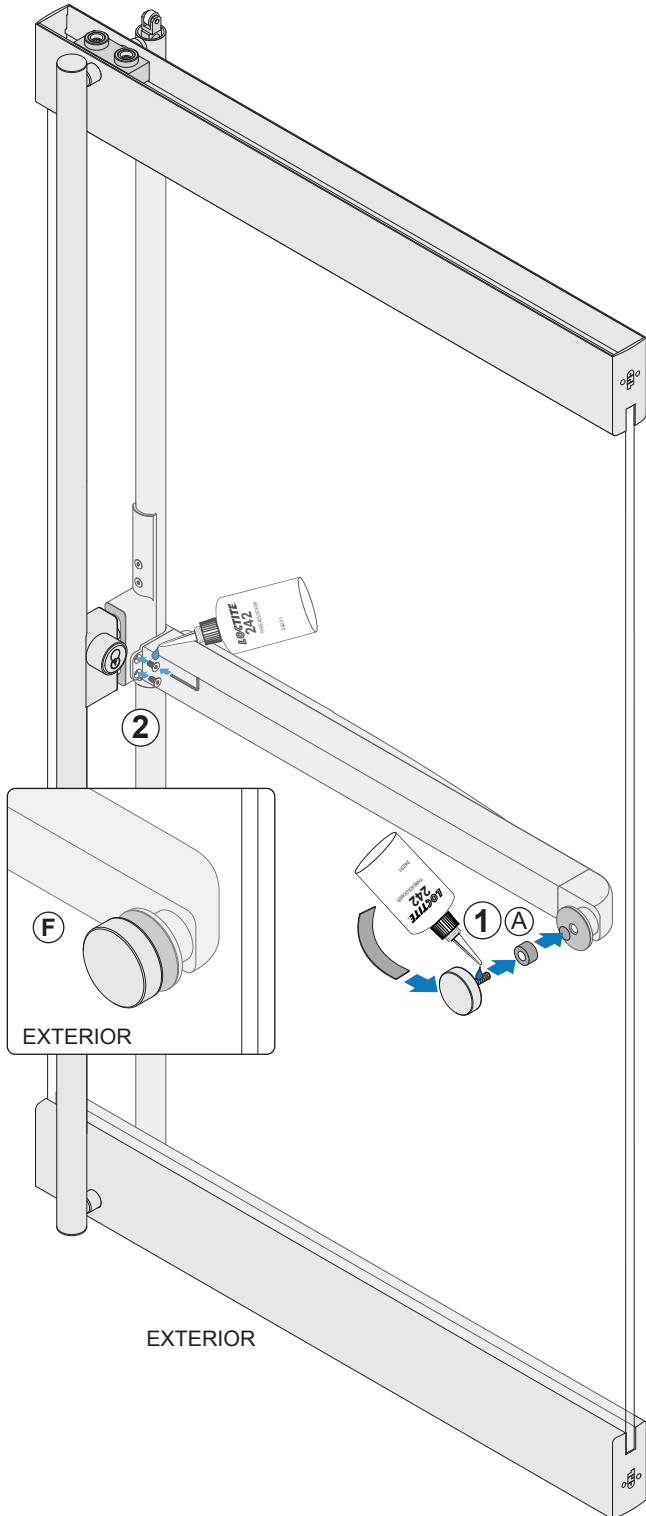


* Loctite® is recommended on all screw threads during final assembly.

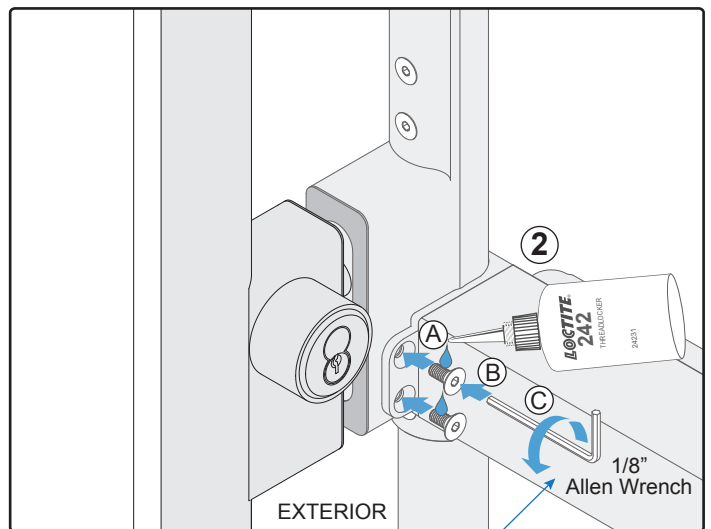
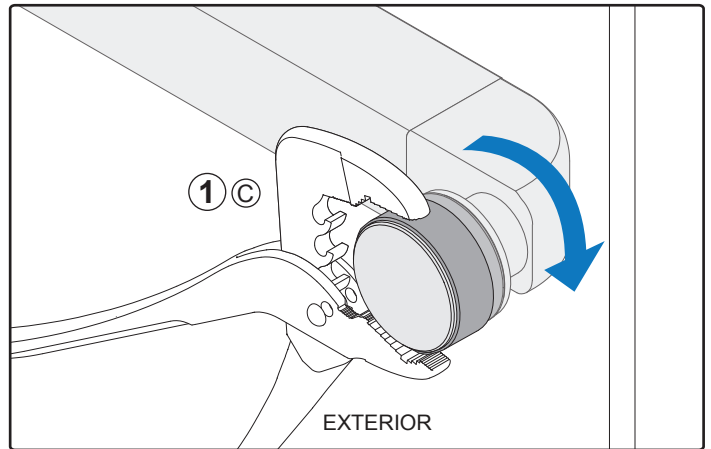
INSTALL CRASH BAR (CONTINUED)

F INSTALLATION

- ① Fit End Cap and Gasket through hole in glass, align with Crash Bar and securely screw in place.
- ② Attach Crash Bar to Interior Handle.



NOTE: Hand tighten End Cap and then wrap with included gasket to protect the surface and tighten securely with pliers



NOTE: Place screw with Loctite onto long side of included Allen Wrench and then fit into holes.

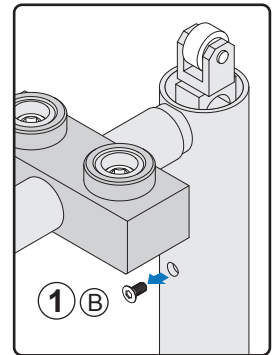
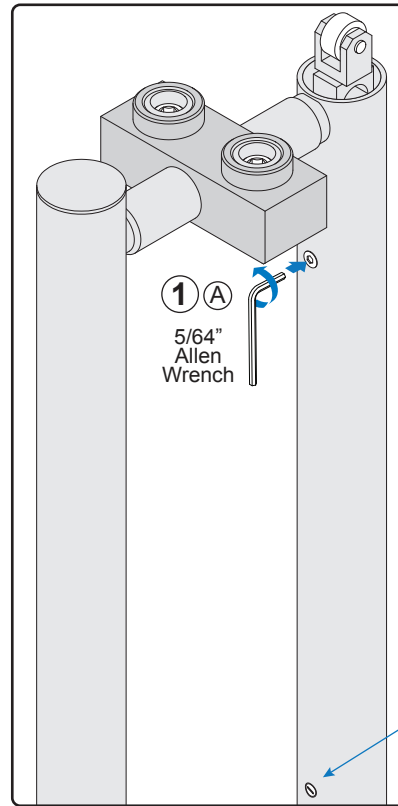
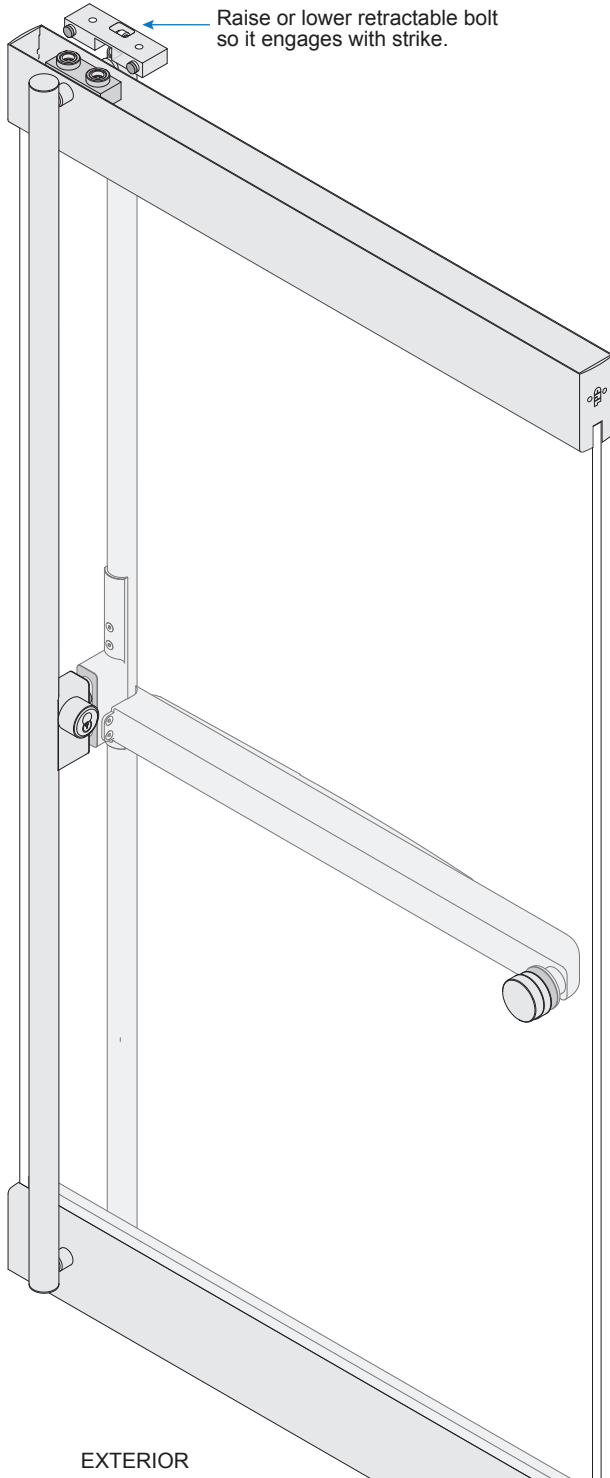
* Loctite® is recommended on all screw threads during final assembly.

ADJUST RETRACTABLE BOLT

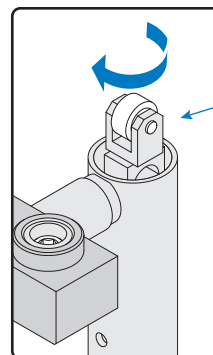
Hang door and install Strike. Adjust height of retractable bolt if needed.

- ① Remove top Screw.
- ② Rotate Bolt to raise or lower to desired height.
- ③ Replace top Screw and tighten securely.

NOTE: PA300F Handle Shown. Others similar.

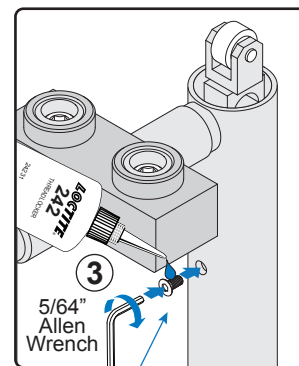
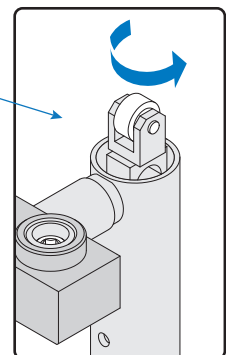


IMPORTANT: Do Not Loosen or Remove this Slotted Screw.



② Rotate Bolt full 360° turn in either direction to raise or lower to obtain desired height.

NOTE: Maximum 12 full turns before top mechanism is unthreaded.



Replace Screw and tighten securely.

* Loctite® is recommended on all screw threads during final assembly.

HANDLE CARE AND CLEANING

Stainless Steel

Mirror and Satin Polished Stainless Steel are two of the most durable and easiest finishes to maintain.

Mirror Polished Stainless Steel:

Mirror polished stainless steel finishes should be cleaned with a foam spray cleaner, such as: CRL Sprayway - SW841 Stainless Steel Polish & Cleaner cleans, that polishes and protects stainless steel without hard rubbing and polishing. Resists fingerprints, grease and water splatter. Helps preserve the factory finish.

Wipe with a clean, dry cloth such as the CRL 1550 Lint Free Shop Wipes that are made with four plies of strong, white paper and reinforced in both directions with an extra ply of tough nylon. These rugged towels will stand up to the most demanding shop work. 1550 Wipes can absorb many times their weight in liquids and are virtually lint-free.

For periodic maintenance, mirror stainless can be polished with CRL 1188AS Autosol[®] Shine which cleans, restores and polishes all metal surfaces and will protect against corrosion and tarnishing. Mild abrasives help to remove built-up tarnish, oxidation and even rust, leaving behind a protective coating, which helps to condition the metal and protect against corrosion while providing a longer lasting shine.

Satin (Brushed) Stainless Steel:

Satin (brushed) stainless steel finishes should be cleaned like Mirror Polished Stainless Steel, just with circular motions in the same direction as the grain texture.

For periodic maintenance, satin stainless steel can be rubbed with an abrasive pad, such as:

Scotch-Brite General Purpose Hand Pad 7447 by 3M, or Scotch-Brite Ultra Fine Hand Pad 7448 by 3M, or Scotch-Brite General Purpose Scrubbing Pad 9650 by 3M.