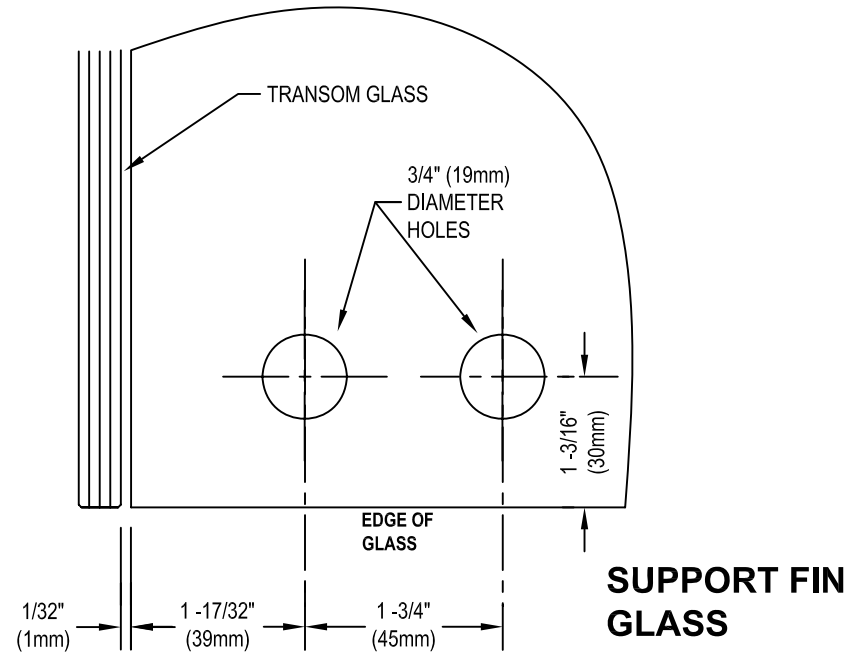
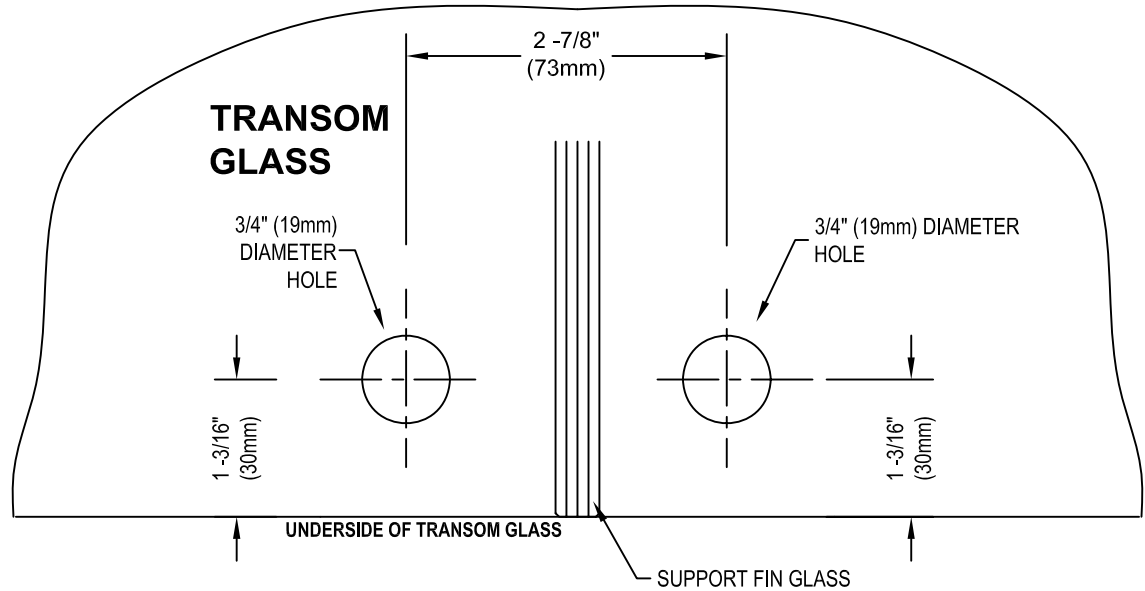
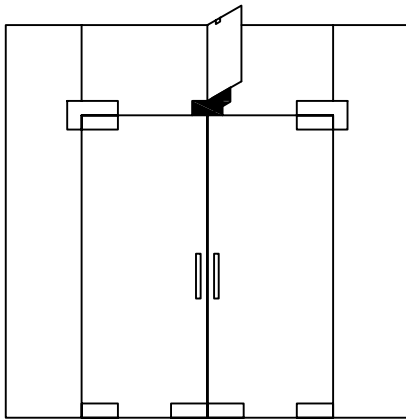
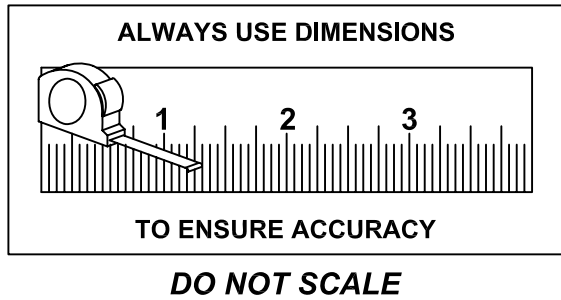


C.R. LAURENCE CO., INC.
PROFESSIONAL QUALITY



CRL TRANSOM MOUNTED PATCH CONNECTOR WITH SUPPORT FIN BRACKET

Cat No. PH71



C.R. LAURENCE CO., INC.
PROFESSIONAL QUALITY

Important Information:

The PH71 Transom Mounted Patch Connector with Support Fin Bracket is designed for use with the PH92 Ceiling Mounted Support Fin Bracket. It is designed to secure the support fin glass to the transom glass at the bottom edge of the transom. The PH71 Transom Mounted Patch Connector should be used when additional lateral support is required on the transom glass.

Specifications:

Glass Sizes: 3/8" (10mm) to 1/2" (12mm) thick tempered safety glass

Construction: High density casting

Cutout Required

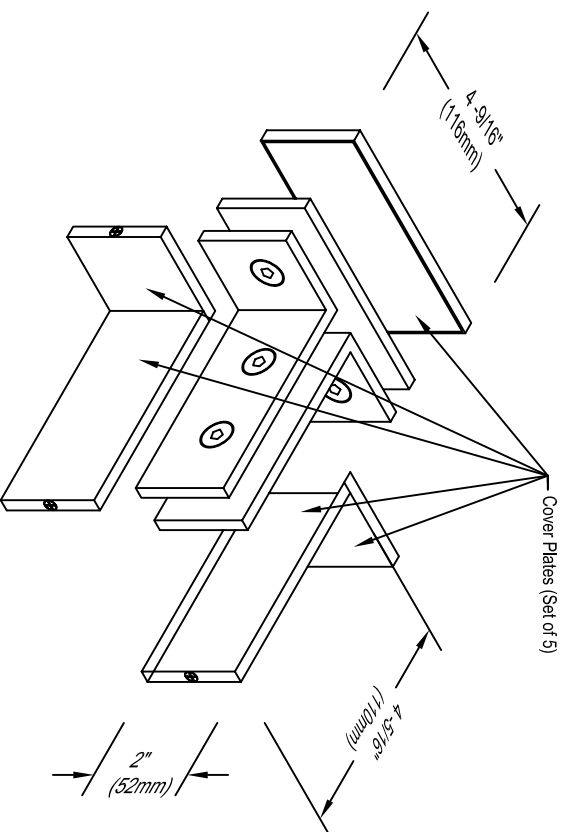
Includes: Gaskets, screws and template

Insert: (Included) - None

Accessories: (Included) - None

Available Finishes:

- PH71A Satin Aluminum
- PH71BR Polished Brass (Lacquered)
- PH71BS Brushed Stainless Steel
- Ph71PS Polished Stainless Steel



Use of Gaskets:

For 3/8" (10mm) Glass: Use two gaskets on each side

For 1/2" (12mm) Glass: Use one gasket on each side

Recommendations:

For public safety, we recommend the use of only tempered safety glass.

SEE TEMPLATE ON BACK

Refer to Dimensions Shown

to Ensure Accuracy

CRL TRANSOM MOUNTED PATCH CONNECTOR WITH SUPPORT FIN BRACKET

Cat No. PH71

C.R. Laurence Corporate Headquarters: P.O. Box 58923 Los Angeles, CA 90058-0923; Toll Free Phone (800) 421-6144; Technical Assistance/Extension 777; Toll Free Fax (800) 587-7504