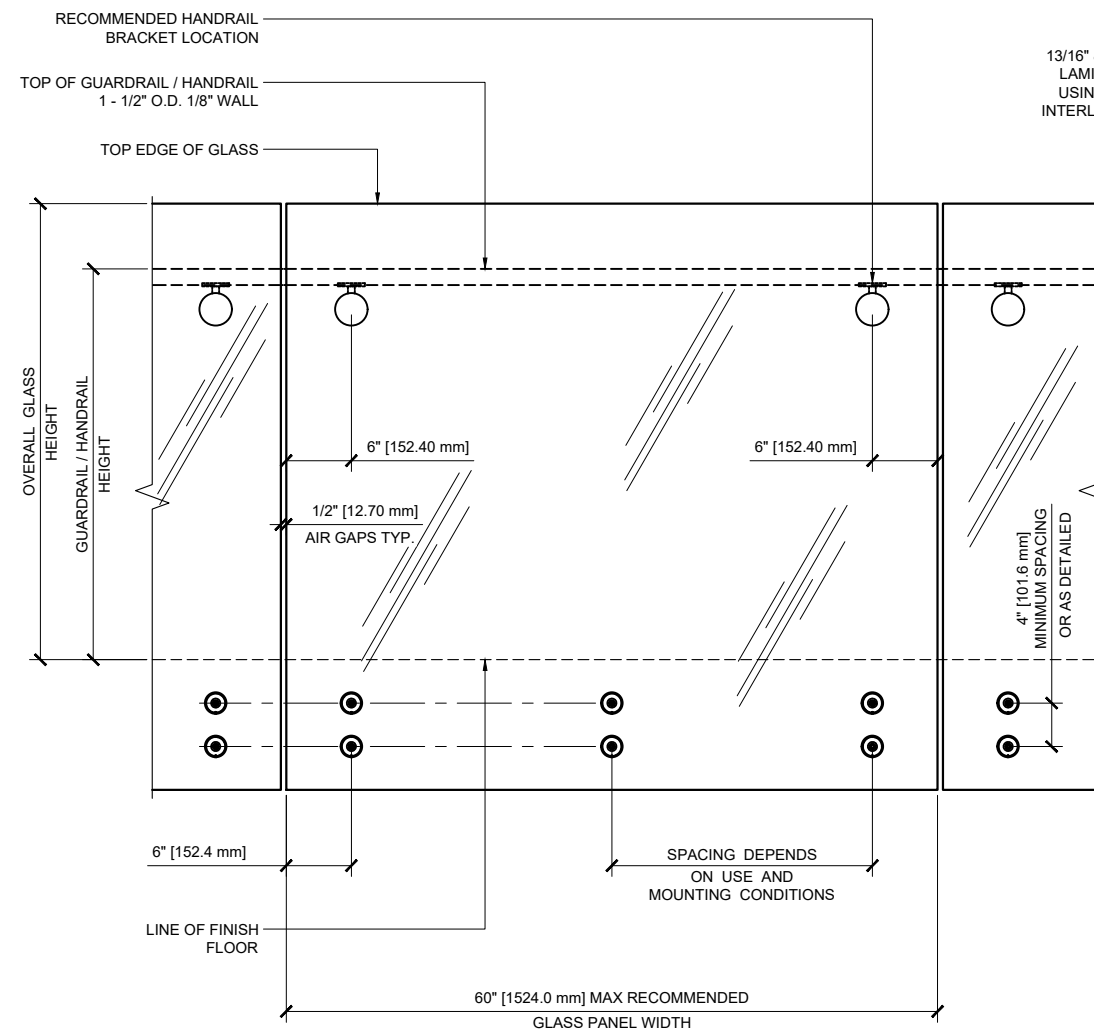


# CRL ADJUSTABLE STANDOFF RAILING SYSTEM

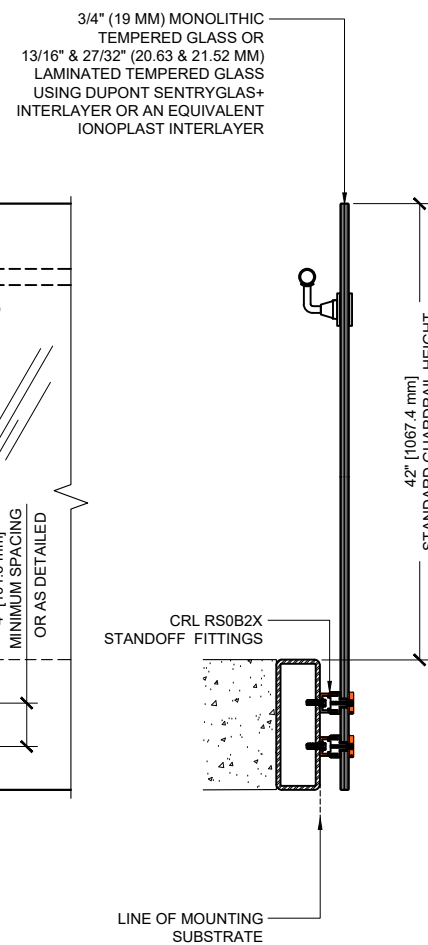
## CRL GLASS RAIL STANDOFF FITTINGS RS0B2XBS, RS0B2XPS, RS0B2XMBL

THESE HEAVY DUTY RAILING STANDOFFS ARE DESIGNED FOR GLASS HANDRAIL OR GUARDRAIL APPLICATION STANDARDS. THE SINGLE STANDOFF FITTING HAS A 2" (51 mm) DIAMETER x 1-7/8" (48 mm) - 2-3/8" (61 mm) ADJUSTABLE PROJECTION FROM THE INSTALLED ATTACHMENT POINT.

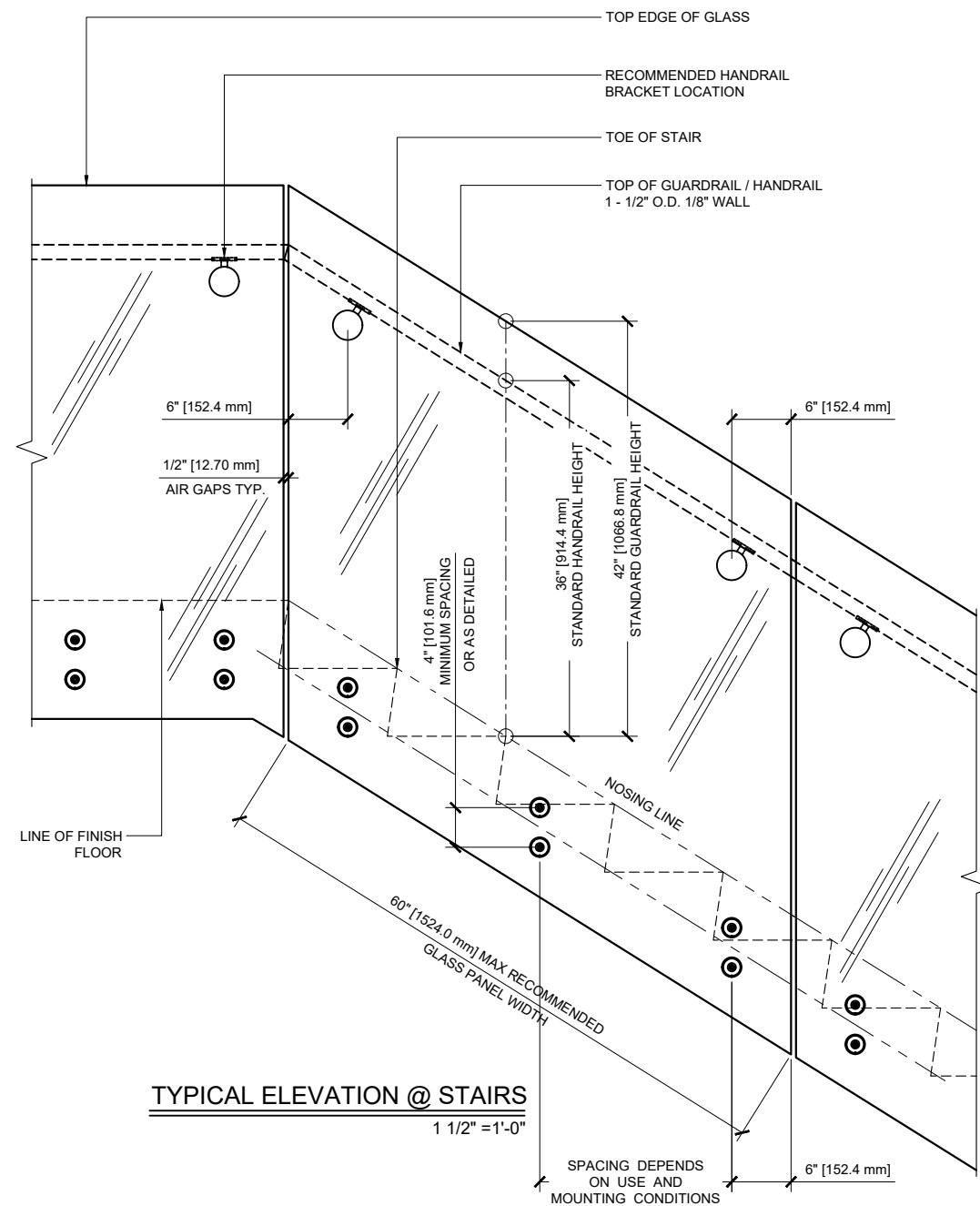
- \* COMPACT DESIGN WITH BODY, CAP, AND MOUNTING STUD
- \* FOR USE WITH 3/4" (19 mm) TEMPERED MONOLITHIC GLASS APPLICATIONS OR 13/16" & 27/32" (20.63 & 21.52 mm) LAMINATED TEMPERED GLASS USING DUPONT SENTRYGLAS+ INTERLAYER OR AN EQUIVALENT IONOPLAST INTERLAYER. DO NOT USE WITH RAW OR ANNEALED GLASS
- \* MATTE BLACK OR BRUSHED/POLISHED 316 GRADE STAINLESS STEEL FINISHES AVAILABLE
- \* DESIGNED TO ATTACH TO STEEL, WOOD, AND CONCRETE SUBSTRATES



**TYPICAL STANDOFF GLASS RAIL ELEVATION**  
STANDOFF FITTING RS0B2X 1 1/2" = 1'-0"



**TYPICAL SECTION**  
1 1/2" = 1'-0"



**TYPICAL ELEVATION @ STAIRS**  
1 1/2" = 1'-0"

Revisions By:

**CRL**

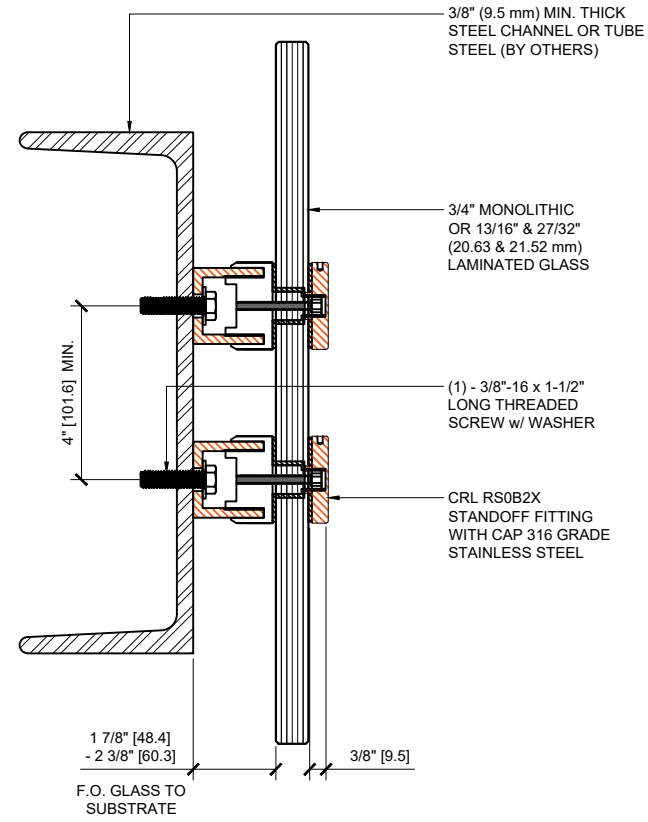
C.R. LAURENCE CO. ARCHITECTURAL PRODUCTS  
2503 E. Vernon Avenue, Los Angeles, CA 90058-1897  
PH (800)-421-6144 FX: 800-587-7501 www.crlaurence.com

Description:  
C. R. L.  
ADJUSTABLE STANDOFF RAILING  
SYSTEM DRAWINGS

Drawn By: RPD \ MS  
Date: 02/08/24  
Scale: AS NOTED  
File Name: ADJ Standoff.dwg

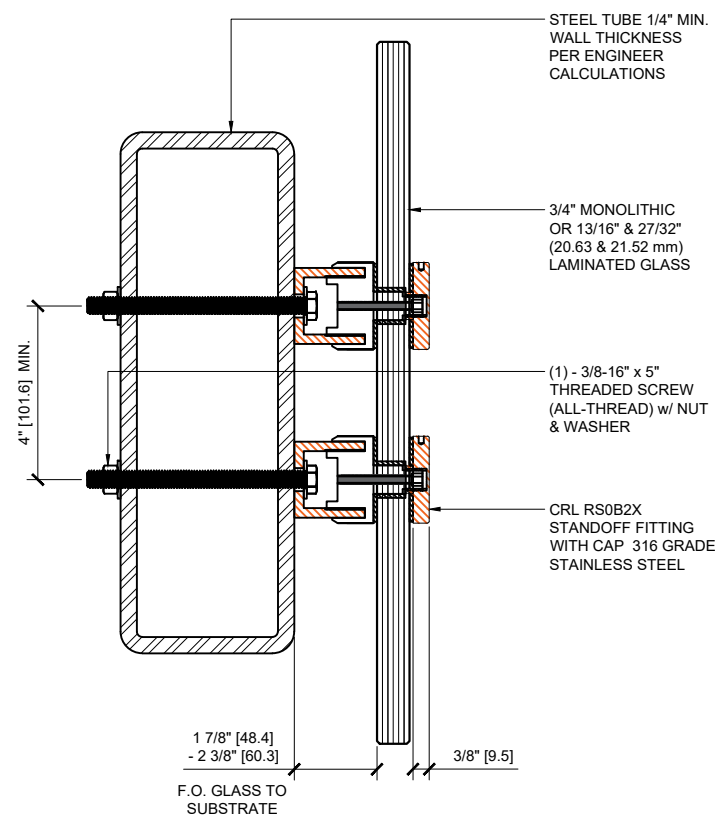
Sheet

# ADJUSTABLE STANDOFF RAILING SYSTEM



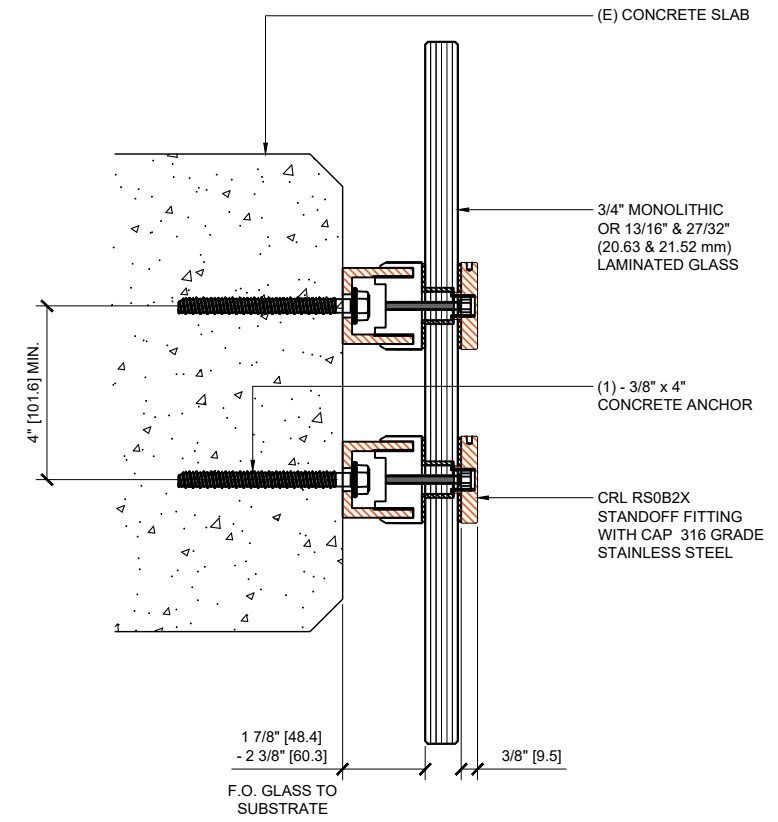
**TYPICAL FASCIA MOUNT DETAIL**

CRL RS0B2X ON STEEL CHANNEL SUBSTRATE 6" = 1'-0"



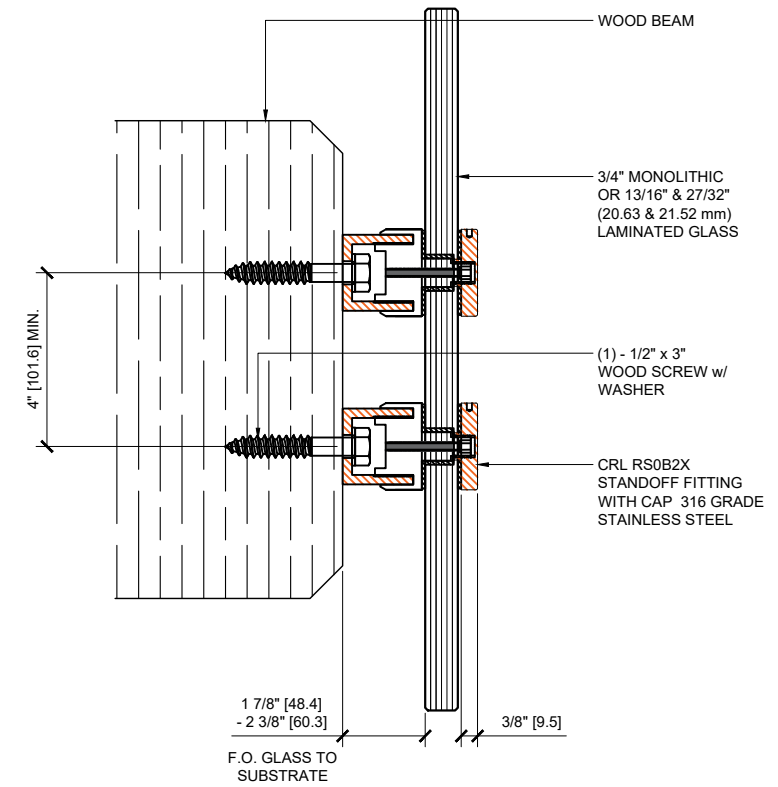
**TYPICAL FASCIA MOUNT DETAIL**

CRL RS0B2X ON STEEL TUBE SUBSTRATE 6" = 1'-0"



**TYPICAL FASCIA MOUNT DETAIL<sub>6" = 1'-0"</sub>**

CRL RS0B2X ON CONCRETE SUBSTRATE



**TYPICAL FASCIA MOUNT DETAIL<sub>6" = 1'-0"</sub>**

CRL RS0B2X ON WOOD SUBSTRATE

Revisions By:

**CRL**

C.R. LAURENCE CO. ARCHITECTURAL PRODUCTS  
2503 E. Vernon Avenue, Los Angeles, CA 90058-1897  
PH (800)-421-6144 FX: 800-587-7501 www.crlaurence.com

Description:  
C. R. L.  
ADJUSTABLE STANDOFF RAILING  
SYSTEM DRAWINGS

Drawn By: RPD \ MS

Date: 02/08/24

Scale: AS NOTED

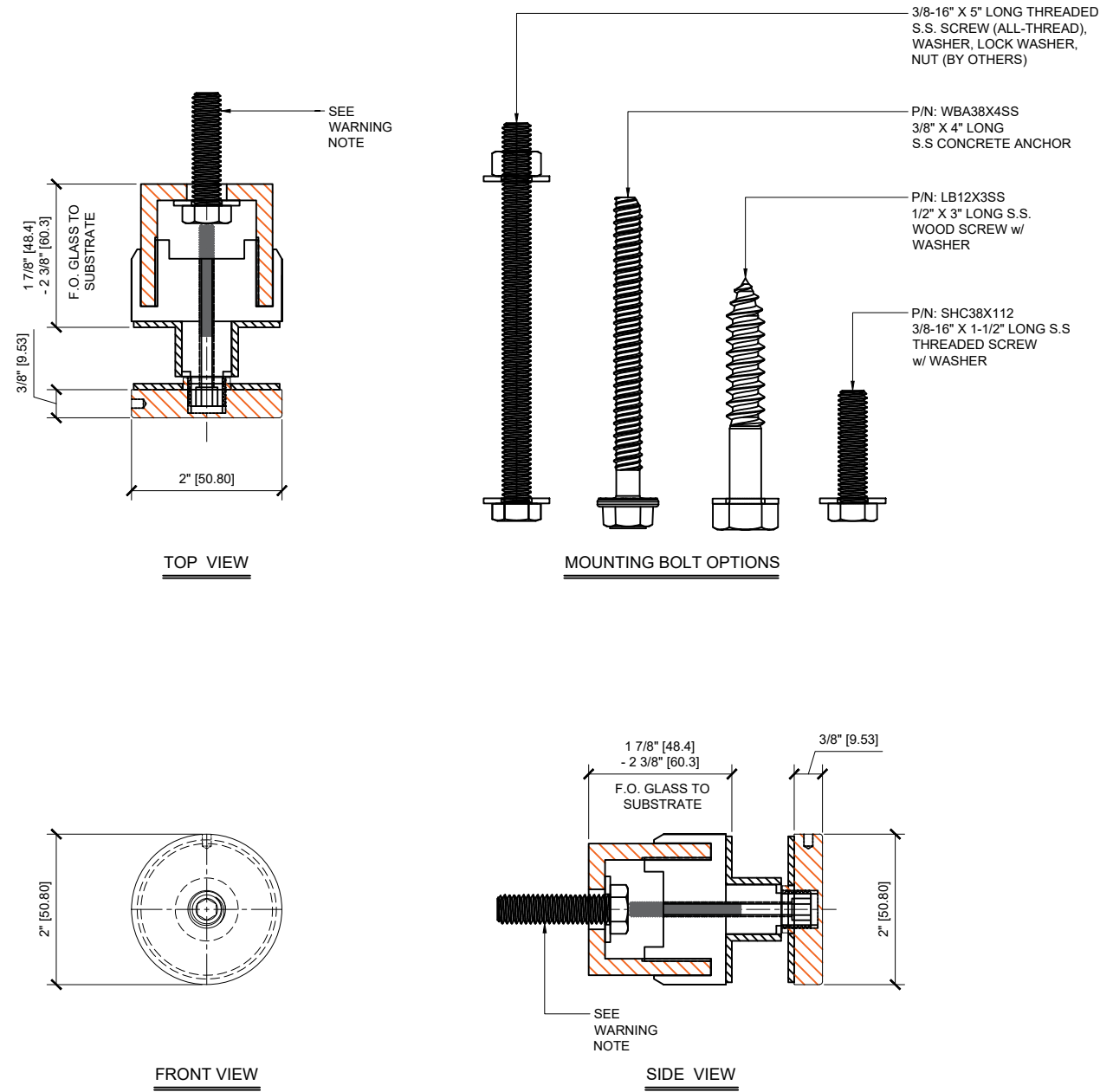
File Name: ADJ Standoff.dwg

Sheet

# ADJUSTABLE STANDOFF RAILING SYSTEM

**WARNING:**

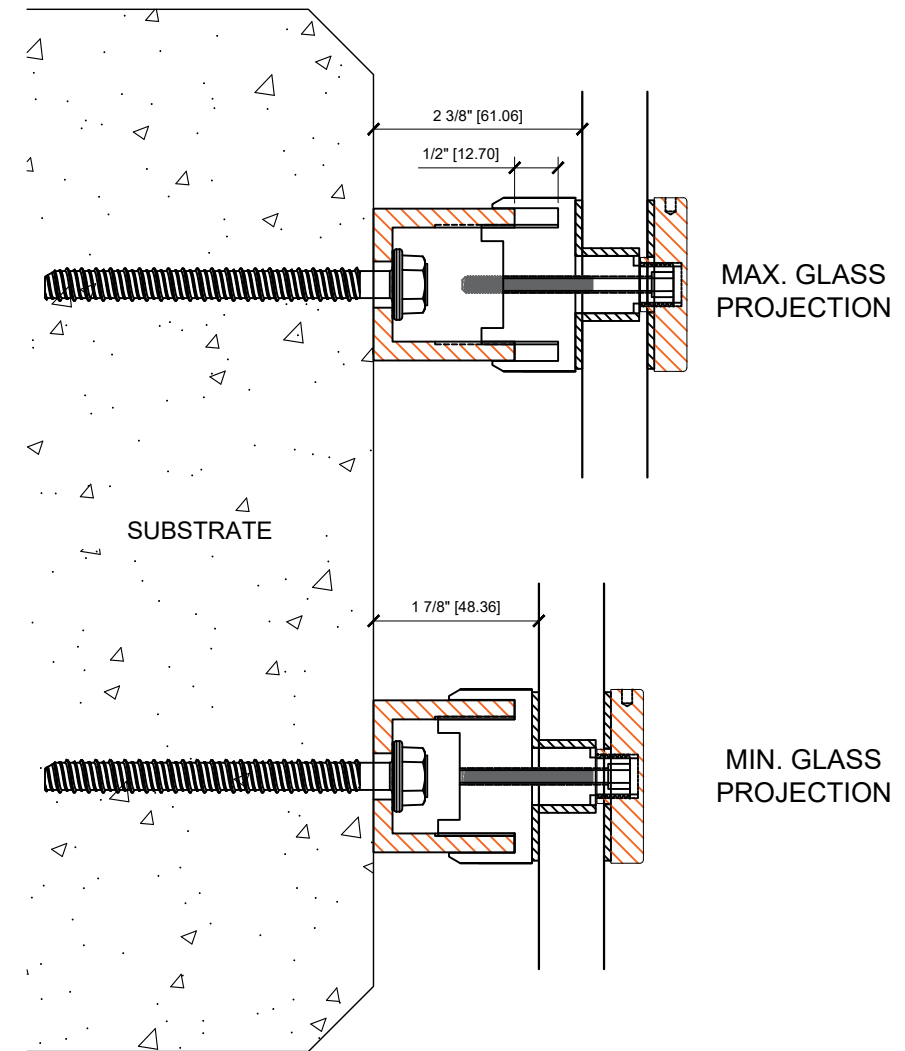
1. NOT RECOMMENDED FOR WOOD FASCIA ATTACHMENT EXCEPT FOR CASES WITH ENGINEER'S APPROVAL. FOR WOOD OR ALUMINUM FASCIA APPLICATIONS, ENGINEER TO SPECIFY MINIMUM HORIZONTAL & VERTICAL SPACING BETWEEN STANDOFF FITTINGS AND TYPE OF MOUNTING FASTENERS TO BE USED.



**RS0B2X STANDOFF FITTING**

316 GRADE STAINLESS STEEL 1'-0" = 1'-0"

# ADJUSTABLE 1/2" GLASS PROJECTION



Revisions By:

**CRL**

C.R. LAURENCE CO. ARCHITECTURAL PRODUCTS  
 2503 E. Vernon Avenue, Los Angeles, CA 90058-1897  
 PH (800)-421-6144 FX: 800-587-7501 www.crlaurence.com

Description:  
 C. R. L.  
 ADJUSTABLE STANDOFF RAILING  
 SYSTEM DRAWINGS

Drawn By: RPD \ MS  
 Date: 02/08/24  
 Scale: AS NOTED  
 File Name: ADJ Standoff.dwg

Sheet