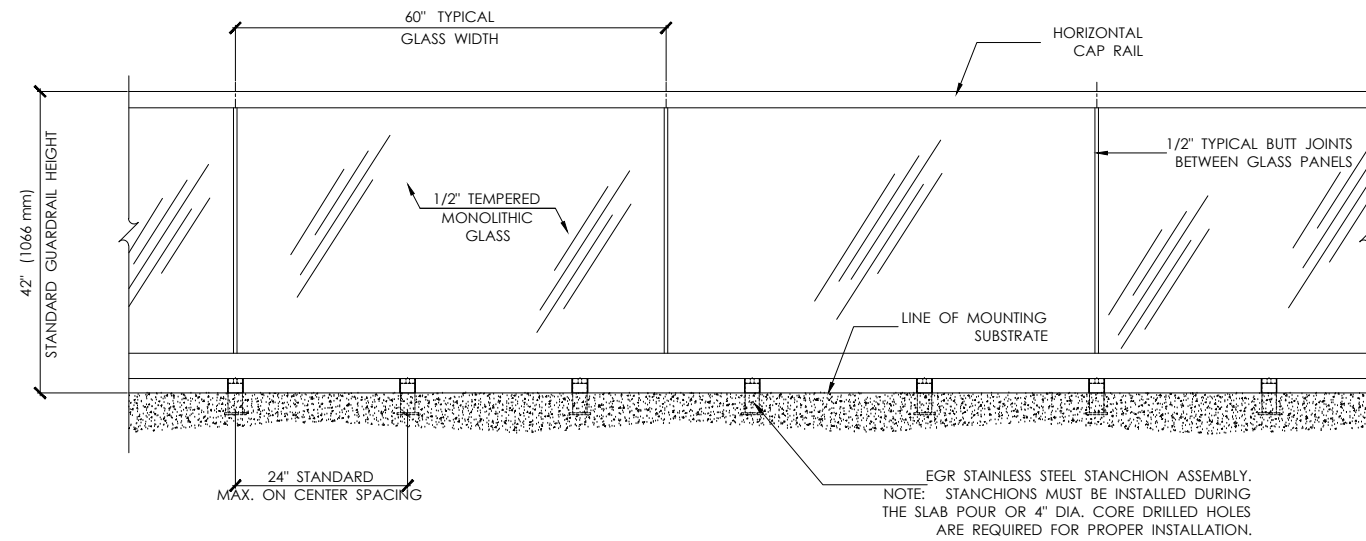




Description:
EGR ELEVATED GLASS RAILING SYSTEM DRAWING FILES

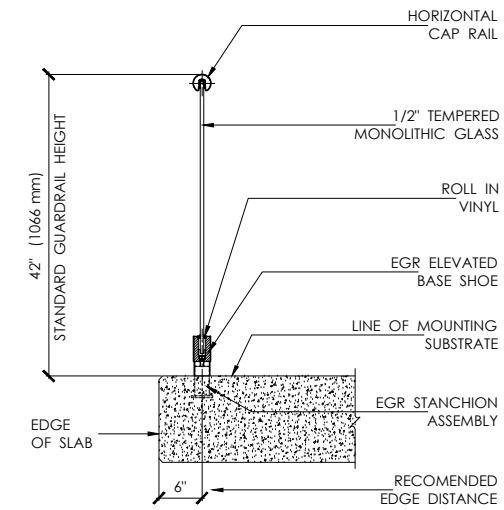
Drawn By: V . R . F .
Date: 10-06-11
Scale: as shown
File Name: SRS TEMPLATE
Sheet

SHT-1



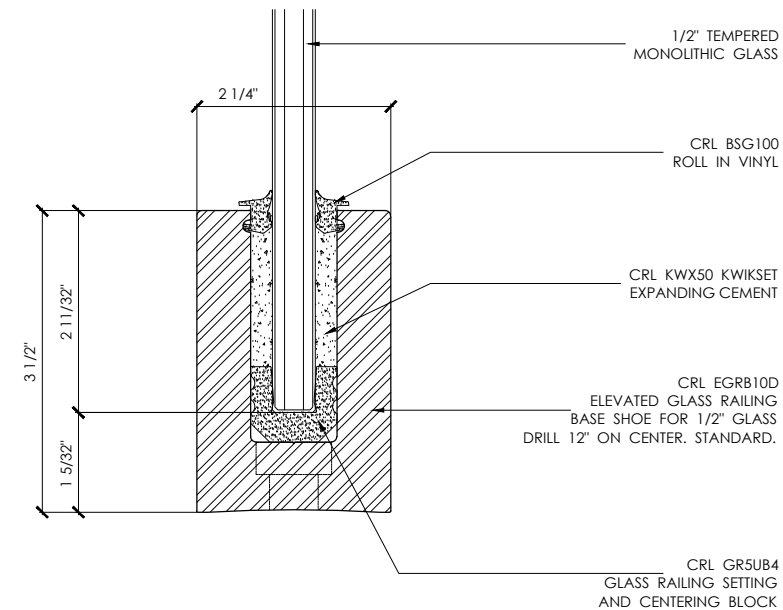
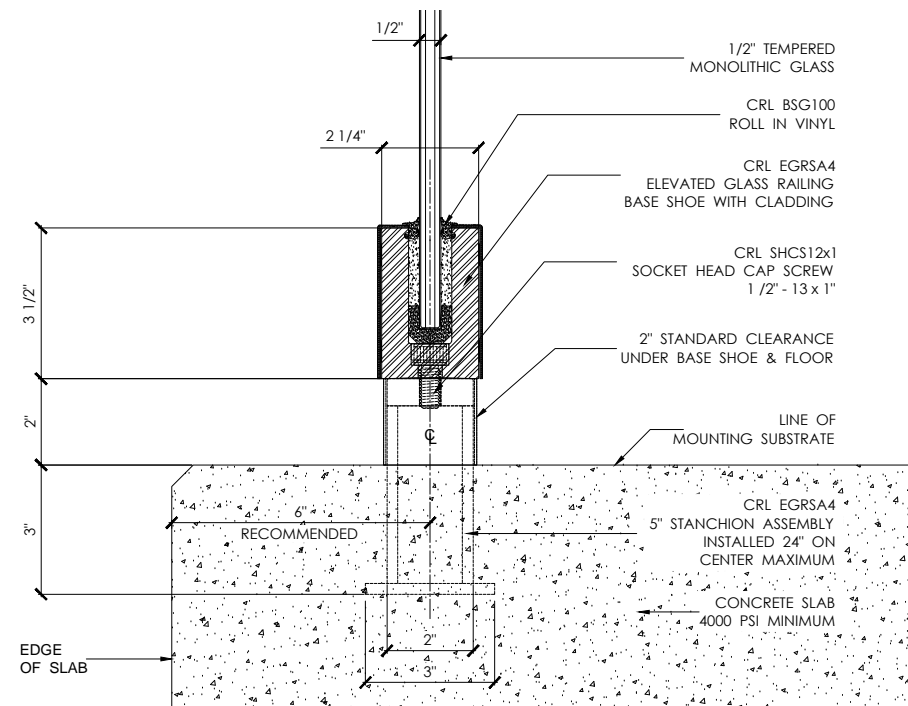
EGR ELEVATED GLASS RAILING SYSTEM

TYPICAL GLASS RAILING ELEVATION



TYPICAL SECTION

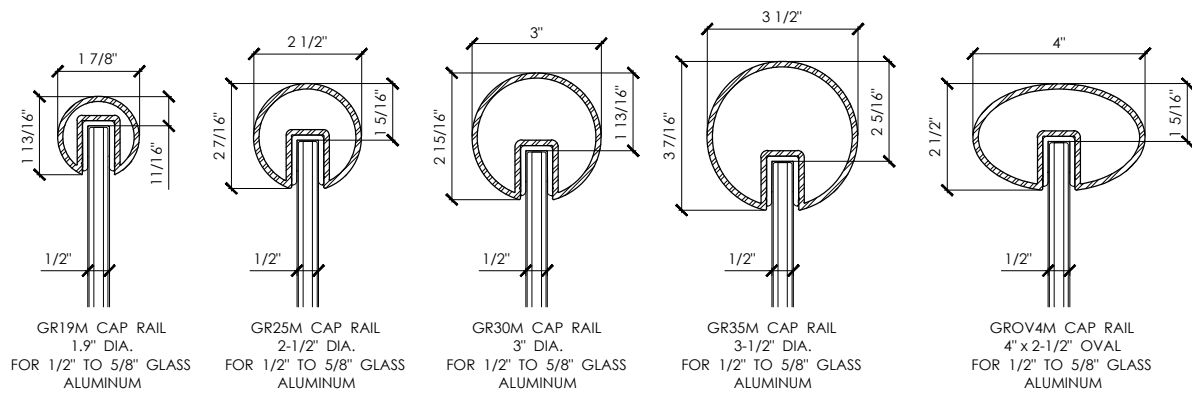
TYPICAL BASE SHOE ATTACHMENTS



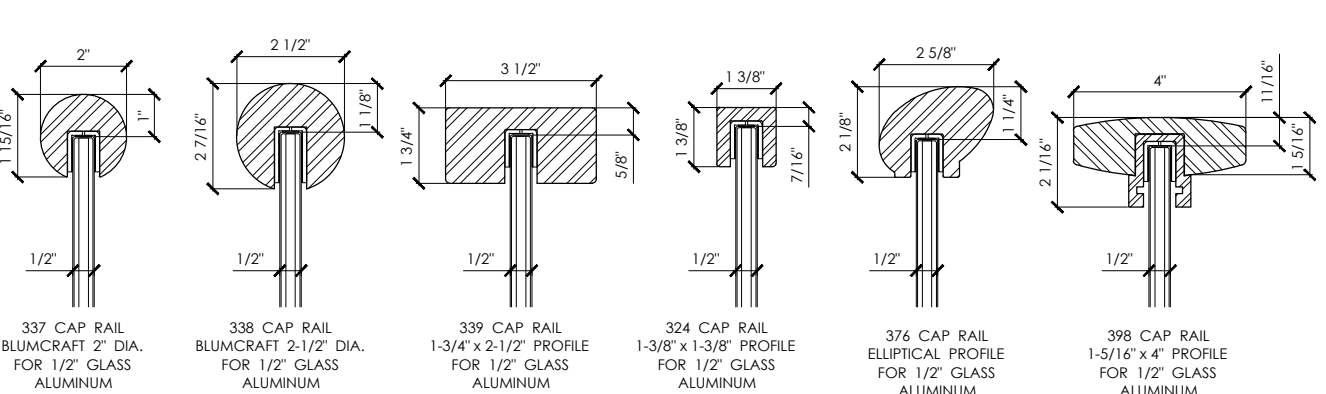
B5L SERIES BASE SHOE
SURFACE MOUNT FOR 1/2" GLASS
WET GLAZED ONLY

CRL'S GRS GLASS RAILING SYSTEM CAP RAIL PROFILES
FOR MONOLITHIC TEMPERED GLASS APPLICATIONS

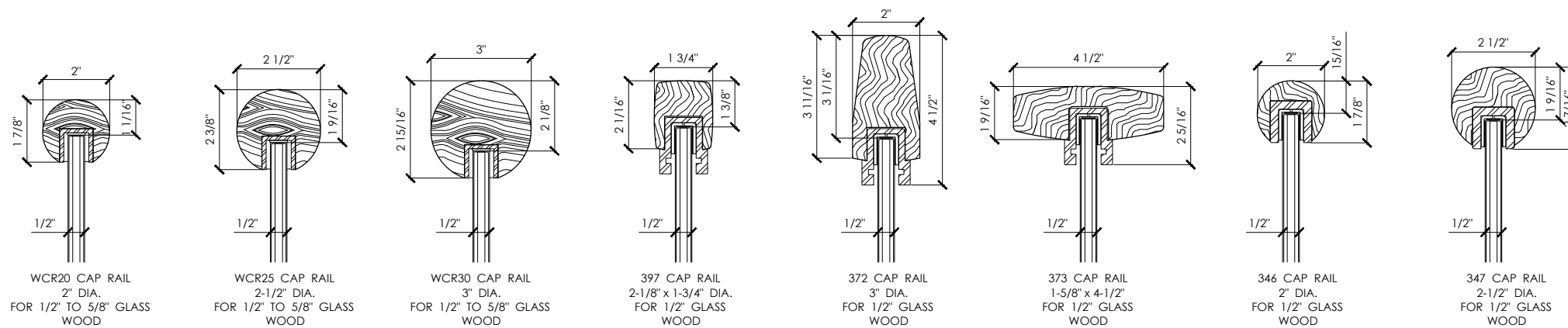
ALUMINUM SHAPES FOR 1/2" TO 5/8" GLASS



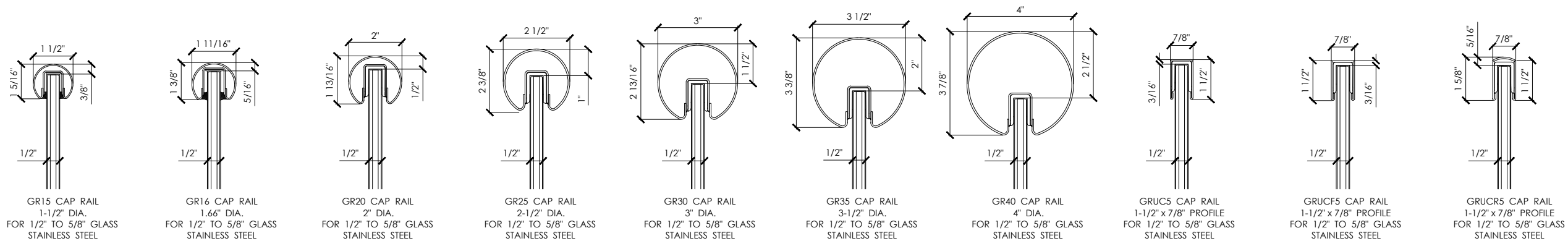
ALUMINUM SOLID SHAPES FOR 1/2" GLASS



WOOD SHAPES FOR 1/2" TO 5/8" GLASS



STAINLESS STEEL SHAPES FOR 1/2" TO 5/8" GLASS



Revisions By:



DESCRIPTION:
EGR ELEVATED GLASS
RAILING SYSTEM
DRAWING FILES

Drawn By: V . R . F .
Date: 10-06-11
Scale: as shown
File Name: SRS TEMPLATE
Sheet