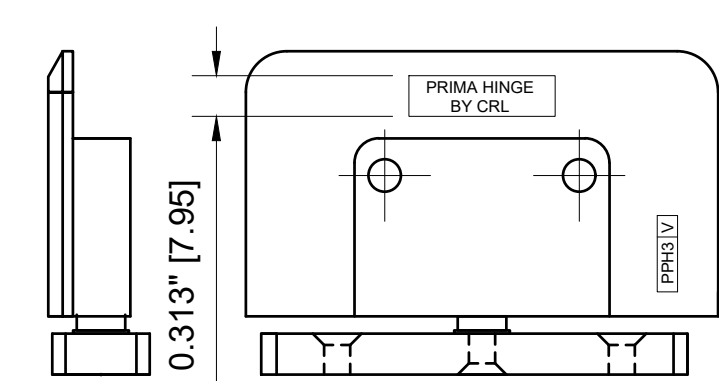
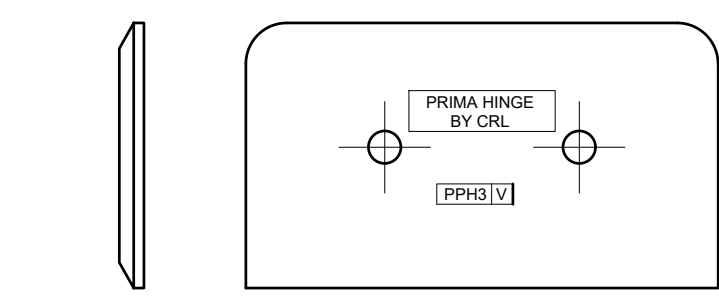
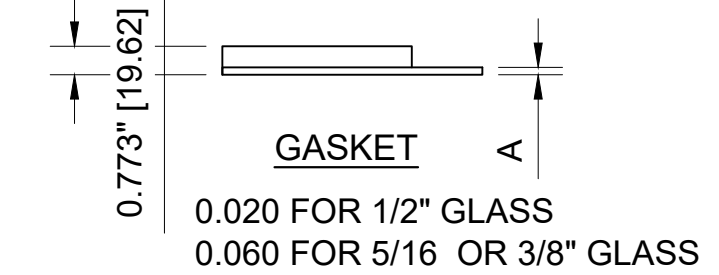
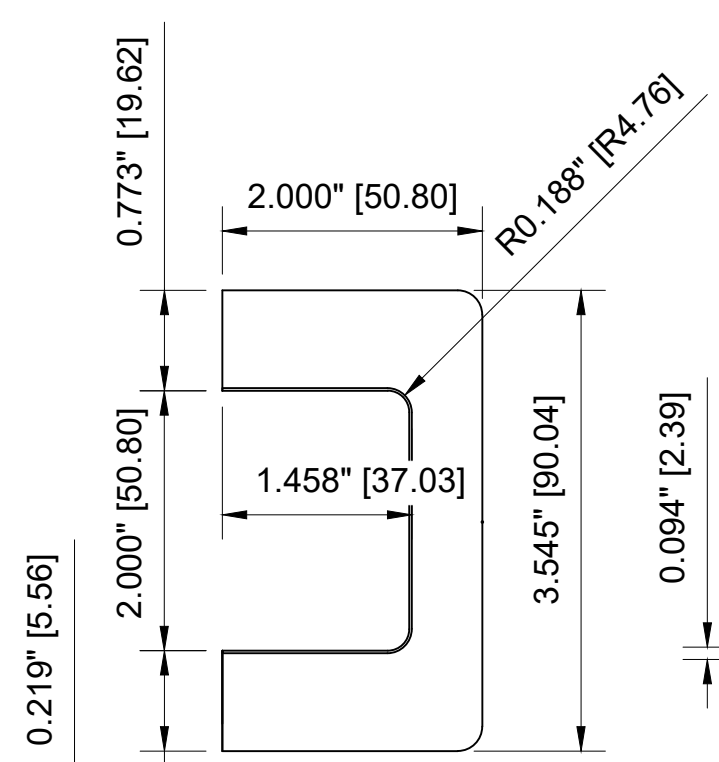
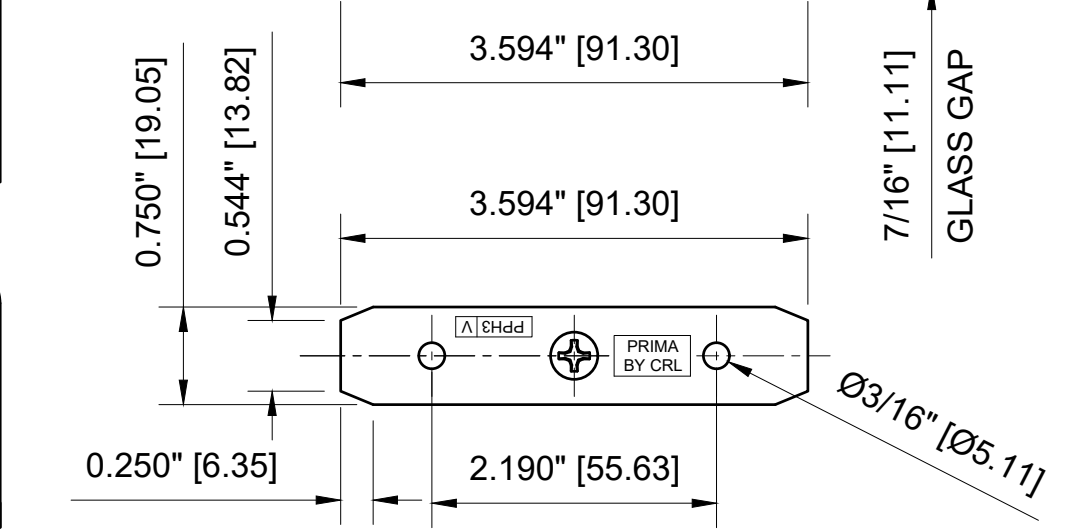
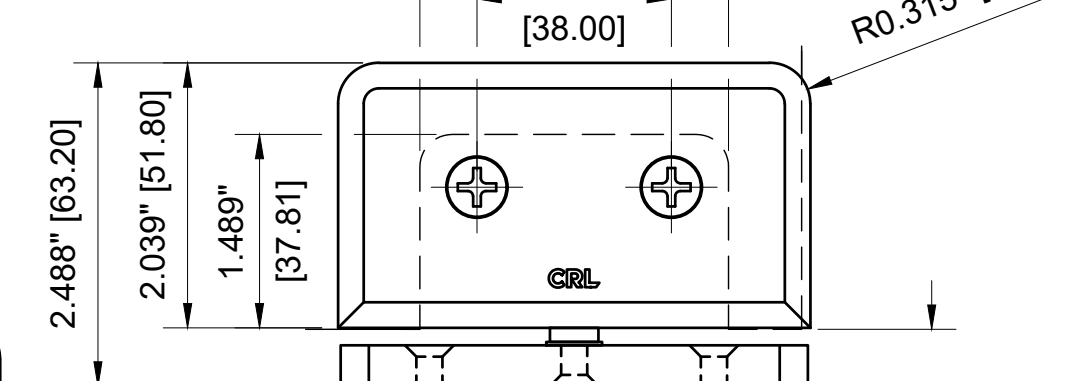
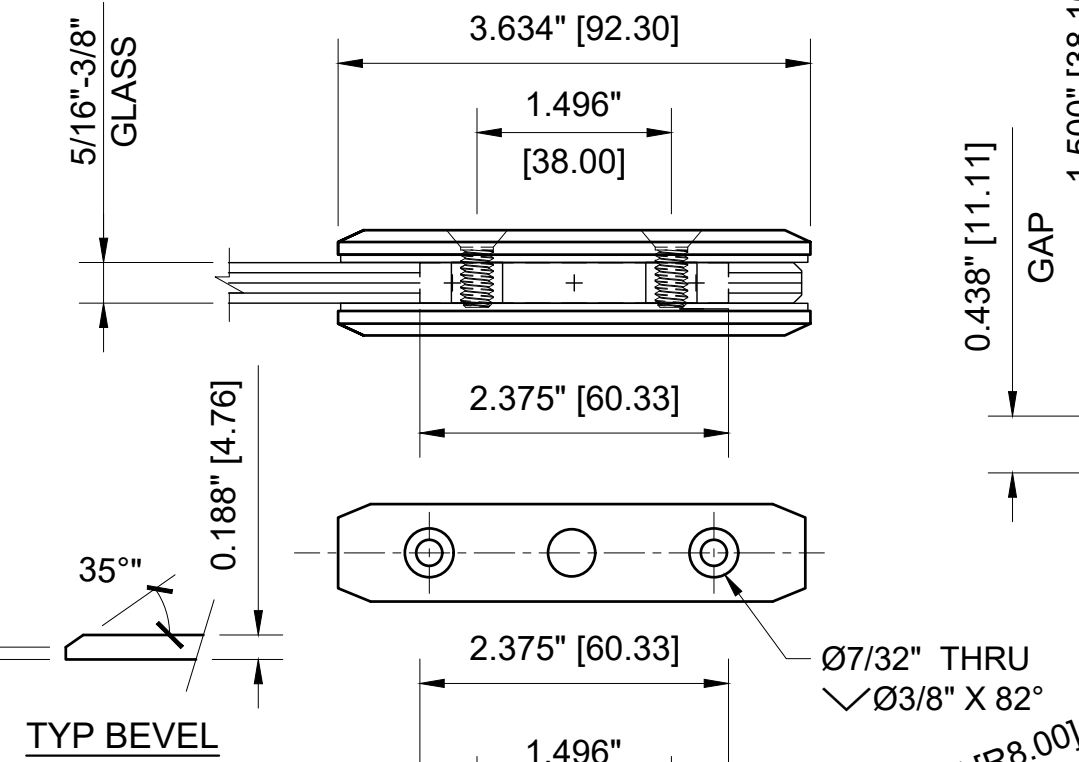


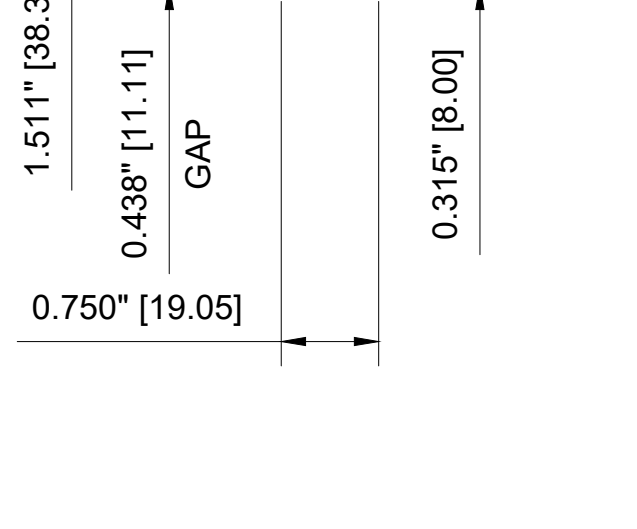
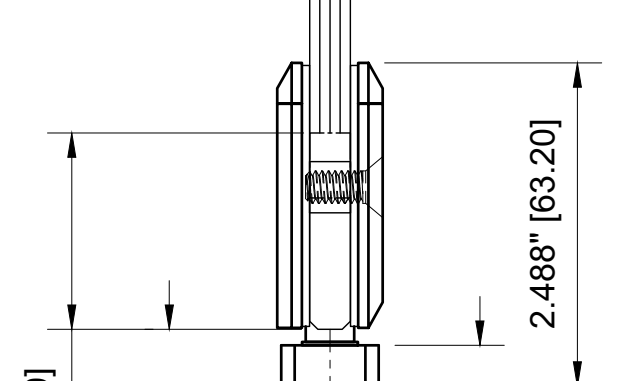
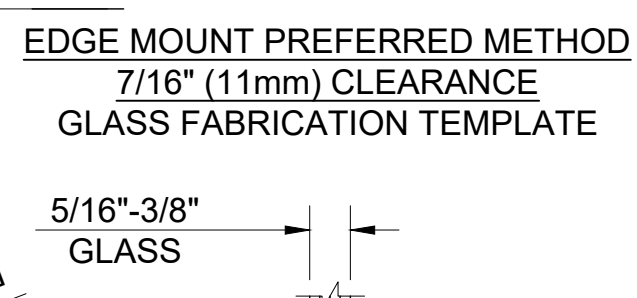
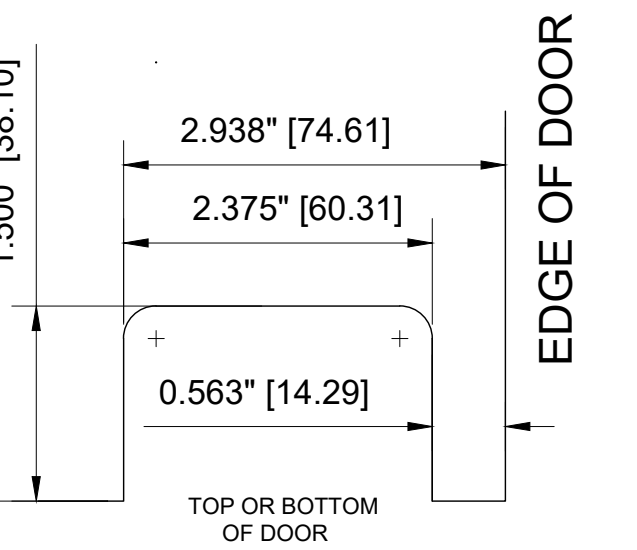
USE OF GASKETS	INCLUDE
FOR 5/16" (8mm) GLASS: USE ONE THICK GASKET AND ONE THIN GASKET ON EACH SIDE	2EA 10 X 2" FLAT HEAD PHILIPS WOOD SCREW SS
FOR 3/8" (10mm) GLASS: USE ONE THICK GASKET ON EACH SIDE	2EA M6-1.0 X 14 FLAT HEAD HEX DRIVE SCREW SS



LETTERING



PPH01XX - CRL PRIMA SERIES TOP OR BOTTOM MOUNT HINGE



DATE:	10-28-2019
SCALE:	6"=1'-0"
DRAWN BY:	VM

DESCRIPTION:	CRL PRIMA SERIES HINGE
	CTS
	PPH01 - TOP OR BOTTOM MOUNT HINGE

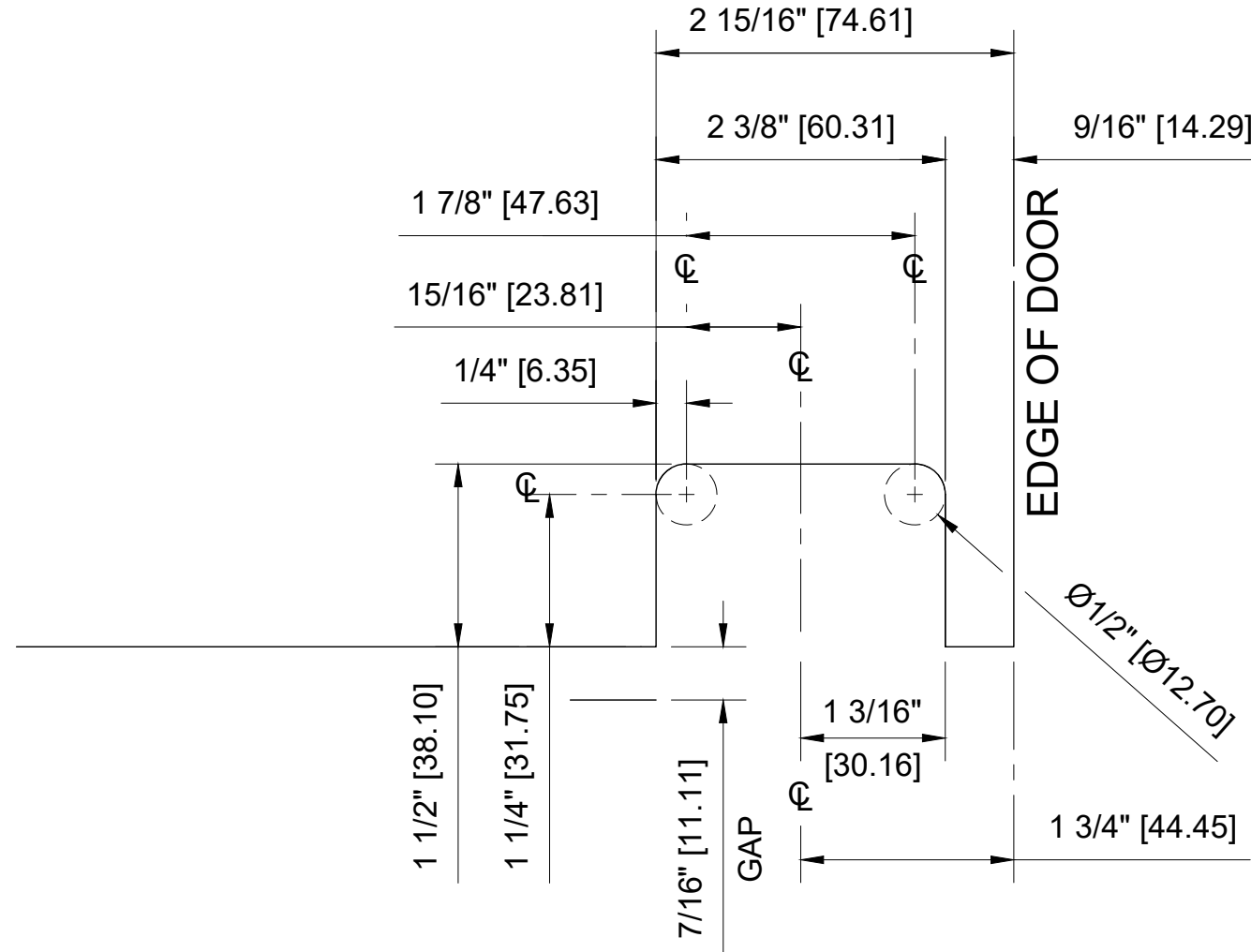
C.R. LAURENCE CO. ARCHITECTURAL PRODUCTS
 2503 E. Vernon Avenue, Los Angeles, CA 90058-1897
 PH (800)-421-6144 FX: 800-587-7501 www.crlaurence.com



USE OF GASKETS

FOR 5/16" (8mm) GLASS: USE ONE THICK GASKET ON EACH SIDE
 FOR 3/8" (10mm) GLASS: USE ONE THIN GASKET ON EACH SIDE

CATALOG NUMBER	FINISH
PPH01CH	POLISHED CHROME
PPH01MBL	MATTE BLACK
PPH01BR	POLISHED BRASS
PPH010RB	OIL RUBBED BRONZE
PPH01ABC0	ANTIQUÉ BRUSHED COPPER
PPH01ABN	ANTIQUÉ BRUSHED NICKEL
PPH01ABR	ANTIQUÉ BRASS
PPH01ABRZ	ANTIQUÉ BRONZE
PPH01BBRZ	BRUSHED BRONZE
PPH01BC0	BRUSHED COPPER
PPH01BL	BLACK
PPH01BN	BRUSHED NICKEL
PPH01BSC	BRUSHED SATIN CHROME
PPH01GM	GUN METAL
PPH01GP	GOLD PLATED
PPH01PC0	POLISHED COPPER
PPH01PN	POLISHED NICKEL
PPH01SB	SATIN BRASS
PPH01SC	SATIN CHROME
PPH01SN	SATIN NICKEL
PPH01UBR	ULTRA BRASS
PPH01WC	WHITE W/ CHROME ACCENT



PPH01XX - CRL PRIMA SERIES TOP OR BOTTOM MOUNT HINGE

DATE: 10-28-2019
 SCALE: 6"=1'-0"
 DRAWN BY: VM

DESCRIPTION: CRL PRIMA SERIES HINGE
 CTS
 www.crlaurence.com PPH01 - TOP OR BOTTOM MOUNT HINGE

C.R. LAURENCE CO. ARCHITECTURAL PRODUCTS
 2503 E. Vernon Avenue, Los Angeles, C.A 90058-1897
 PH (800)-421-6144 FX: 800-587-7501 www.crlaurence.com

