



CRL LS34 LAGUNA SERIES

PIVOT DOOR WITH TRANSOMS AND SIDELITES

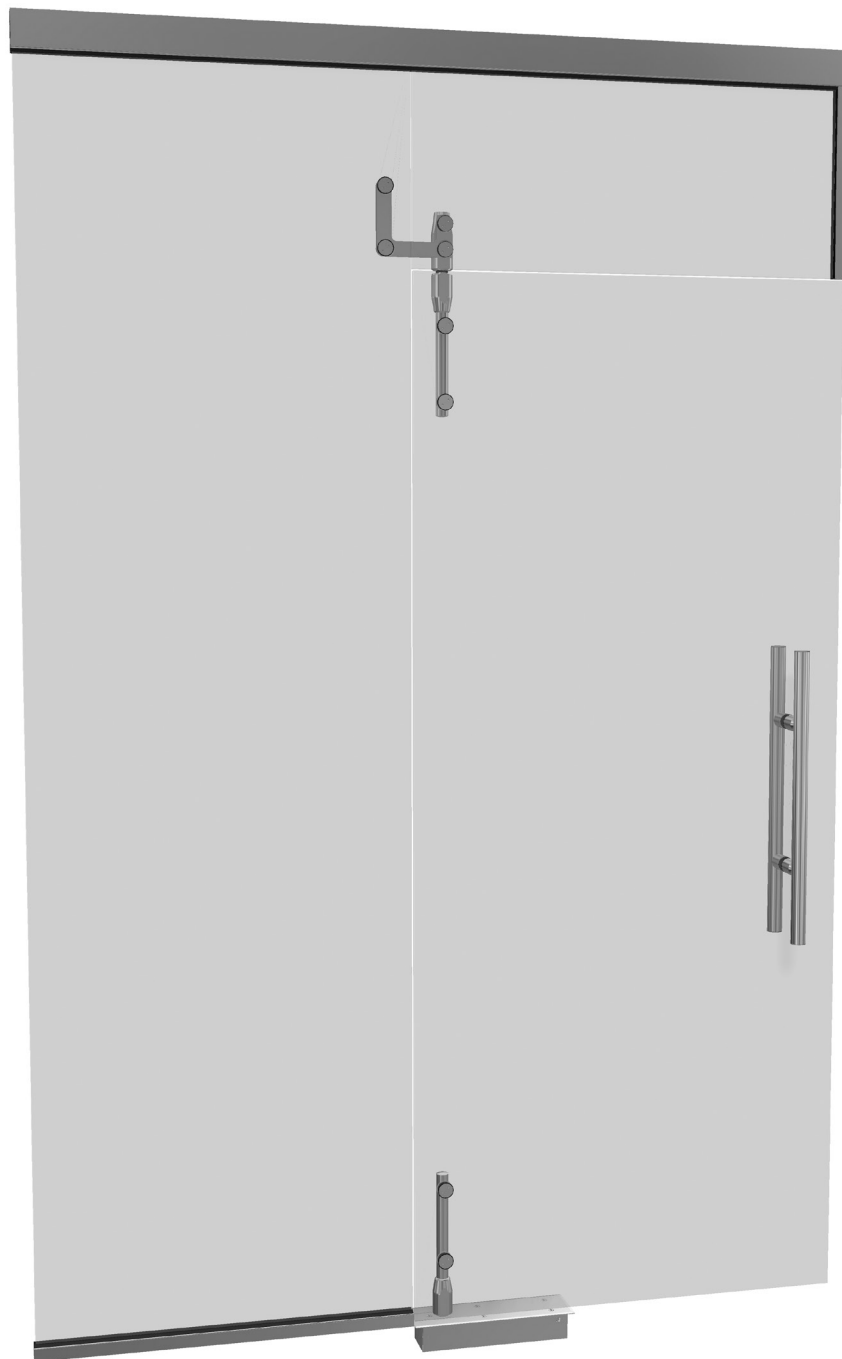


TABLE OF CONTENTS

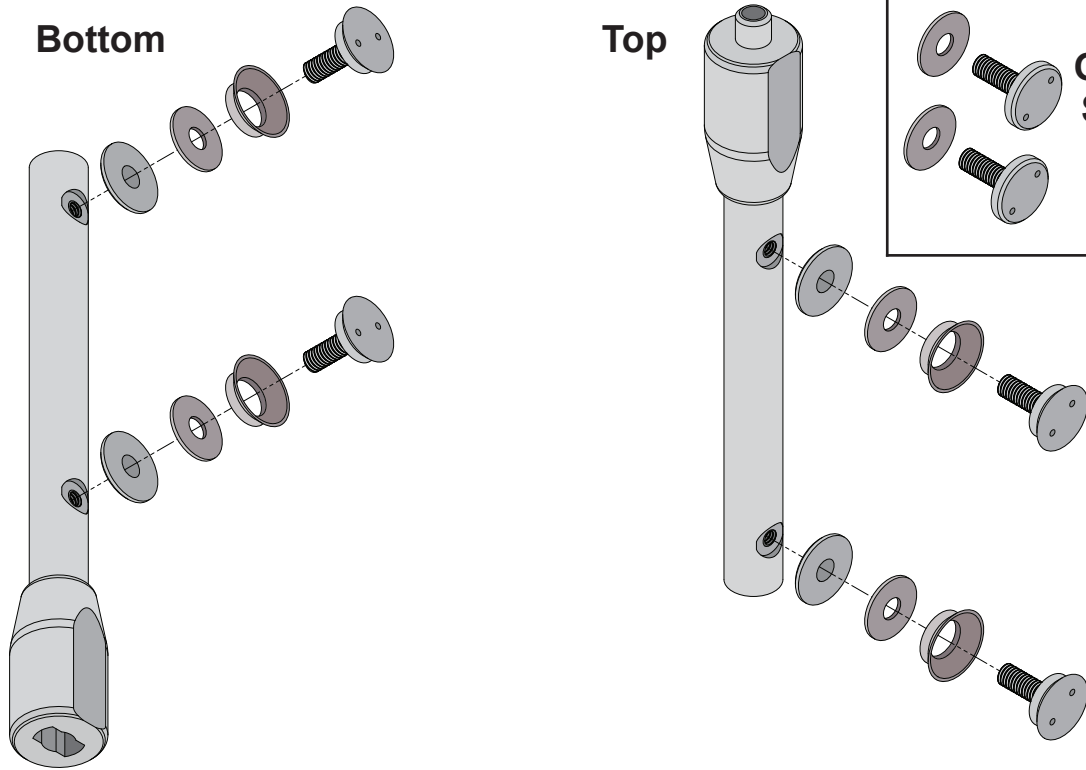
COMPONENT PARTS 03

DOOR PREPARATION 04

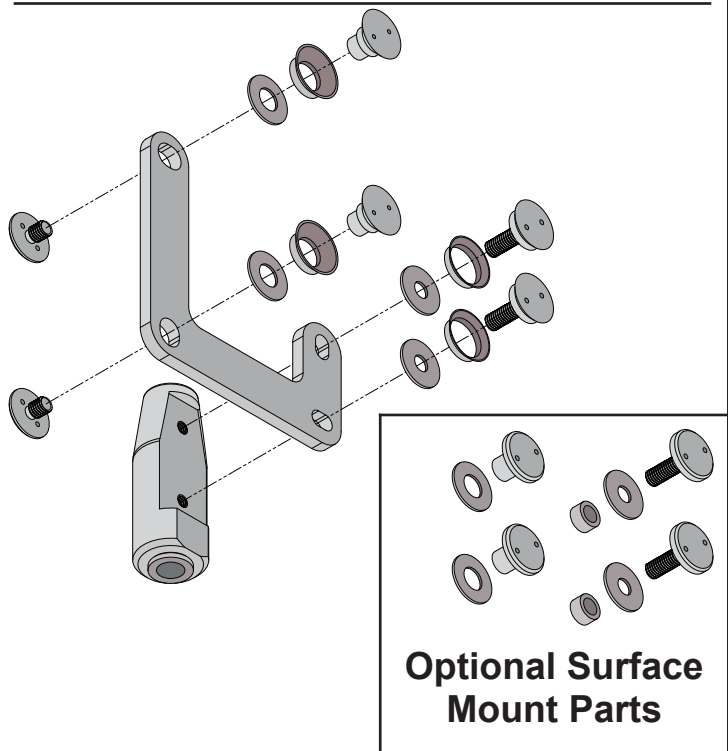
DOOR INSTALLATION 05-06

FLUSH MOUNT COMPONENT PARTS

LS5 Pivot Rod Set



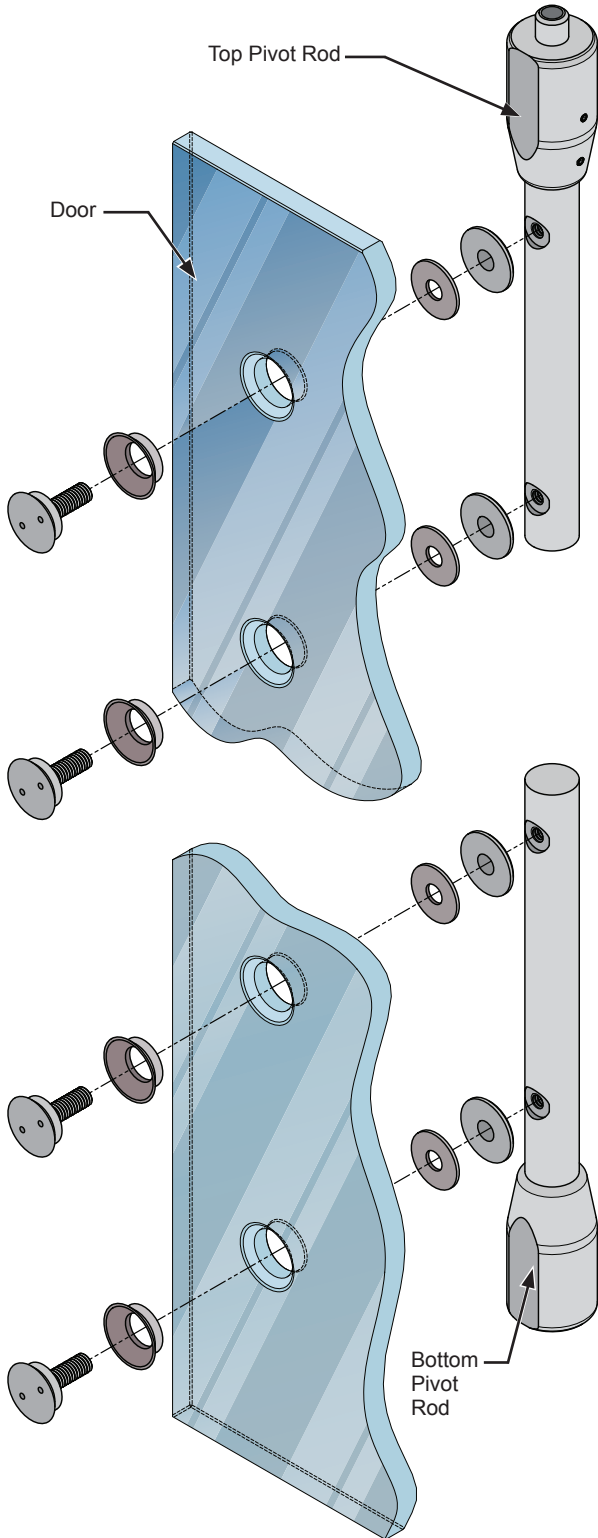
LS3 Transom / Sidelite Mounted Free-Swinging Top Pivot



DOOR PREPARATION

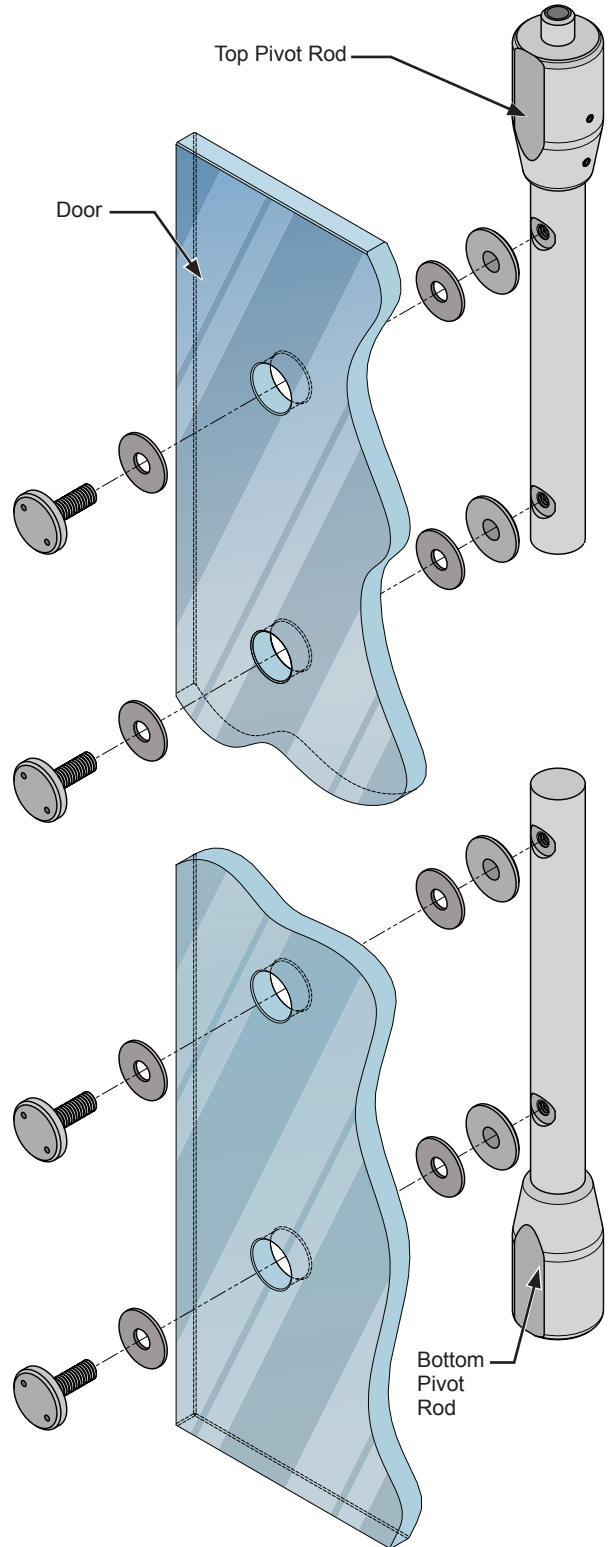
FLUSH MOUNT PIVOT RODS INSTALLATION

1. Install the Pivot Rods to the door as shown.



SURFACE MOUNT PIVOT RODS INSTALLATION

1. Install the Pivot Rods to the door as shown.



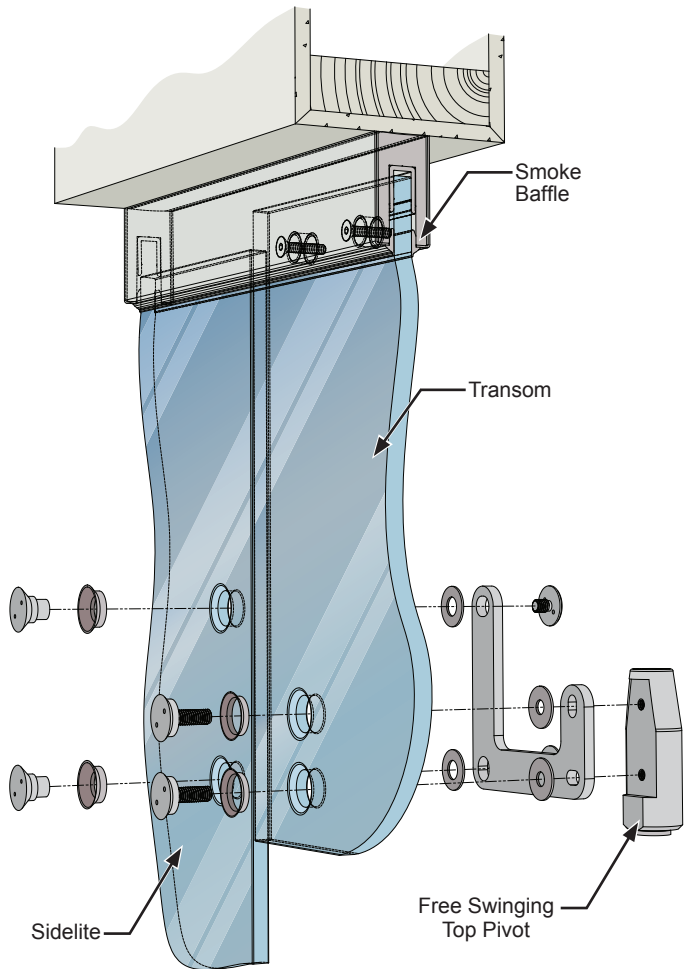
DOOR INSTALLATION

FLUSH MOUNT TOP PIVOT INSTALLATION

1. Install the Free-Swinging Pivot to the transom and sidelite as shown.
2. Install the floor closer or free swinging bottom pivot

NOTE: Must be mounted to the drop soffit or ceiling with appropriate structural backing.

NOTE: Make sure to use a laser or plumb bob to ensure top and bottom pivots are aligned.

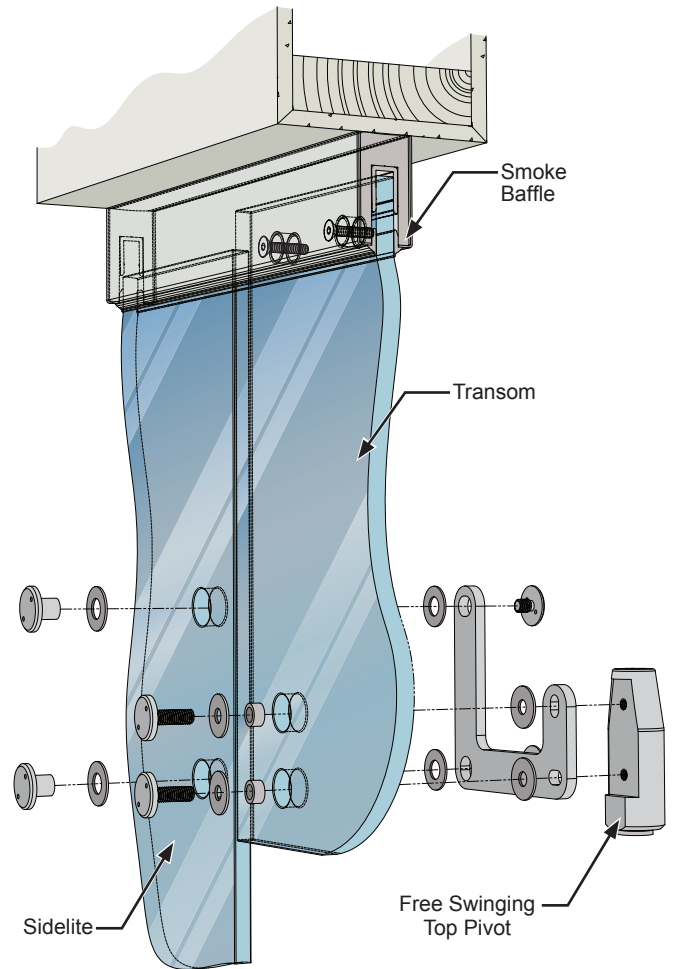


SURFACE MOUNT TOP PIVOT INSTALLATION

1. Install the Free-Swinging Pivot to the transom and sidelite as shown.
2. Install the floor closer or free swinging bottom pivot

NOTE: Must be mounted to the drop soffit or ceiling with appropriate structural backing.

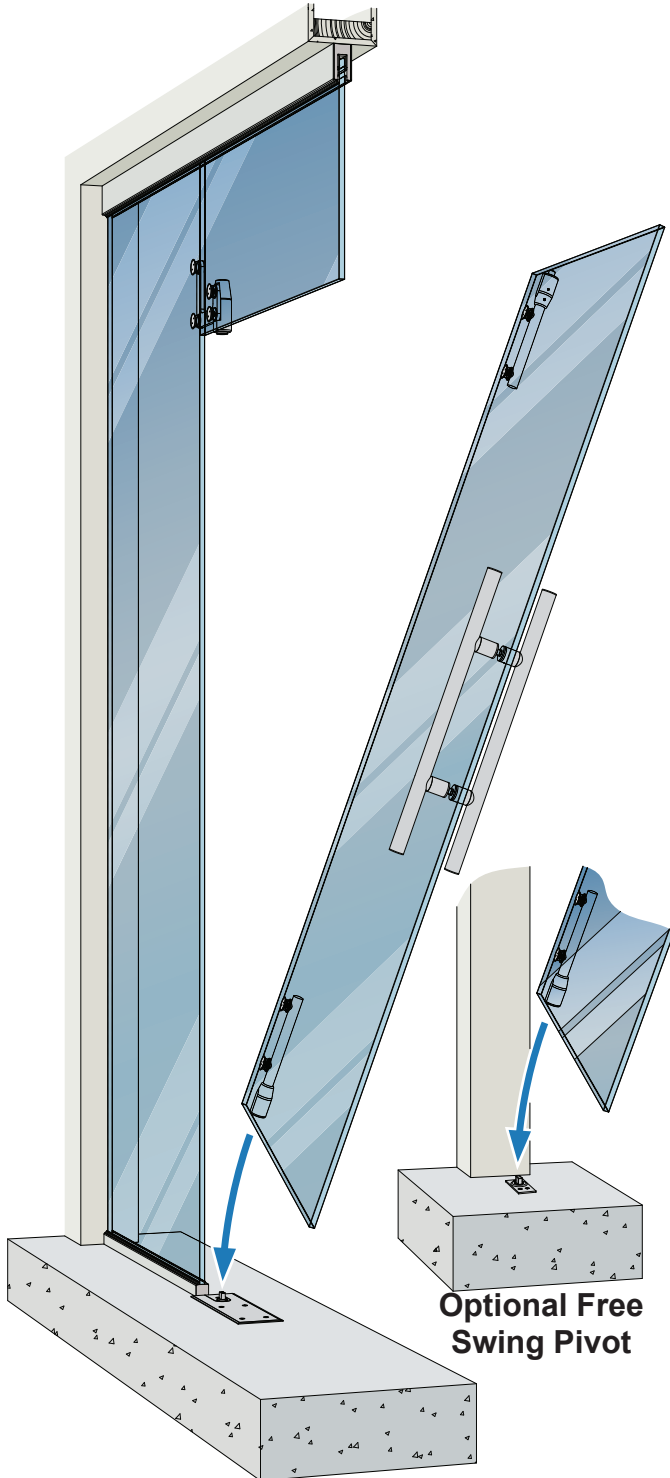
NOTE: Make sure to use a laser or plumb bob to ensure top and bottom pivots are aligned.



DOOR INSTALLATION

INSTALL THE DOOR

1. Loosen the (2) 10-32 set screws on the spindle of the Top Pivot Rod and glide the top pivot knuckle down.
2. Lift the door and place the Bottom Pivot Rod onto the closer spindle or pivot.



SECURE THE DOOR TO THE TOP PIVOT

1. Lift the spindle upwards into the Free Swinging Top Pivot.
2. Secure the spindle by Re-tightning the (2) 10-32 set screws.

