

Blumcraft® 

Entice® Series Entrance System



CRL®



ENTICE® SERIES ENTRANCE SYSTEM

Entice represents the evolution of glass entrances. The groundbreaking system features ultra-narrow 1-1/8" vertical stiles that produce clean glass spans and striking all-glass visuals. It also incorporates a thermally broken frame and 1" insulating glass that together deliver U-factors as low as 0.43 to meet stringent energy codes. The result is a premium glass entrance system that doesn't compromise aesthetics for performance.

A distinct quality of the Entice Series Entrance System is its ability to support Blumcraft® tubular panic devices and other types of door handle hardware directly on 1" dual-glazed insulating glass units. This is achieved with precision-engineered through-glass fittings. The capability creates a floating-on-air aesthetic that enhances the system's streamlined design.

"Best in Category - Openings"

— Architectural Record
Product of the Year Awards



THE LOOK YOU WANT, THE PERFORMANCE YOU NEED

AESTHETICS

- Ultra-Narrow 1-1/8" Vertical Stiles and 2-1/2" System Depth
- Utilizes 1" Insulating Glass and Provides All-Glass Visuals
- Premium Cladding in Customizable Finishes
- Handle Hardware Mounts Directly onto 1" Insulating Glass
- Proprietary Clamping Mechanism Eliminates Glass Stop Break Lines
- Doors Can be Specified Up to 10 Feet High (Wind Load Permitting)

PERFORMANCE

- Thermally Broken Framing and Cladding
- U-factors as low as 0.43
- Complies with California Title 24 Thermal and Air Infiltration Requirements
- NFRC Rated and Meets ASHRAE 90.1-2019 Air Infiltration Requirements
- Compatible with All High-Solar and Thermal Efficient Glass
- Passes AAMA 1304 Forced Entry Test

Maximum Recommended Door Size:

- 36" W x 120" H – 23 PSF Wind Load
- 42" W x 111" H – 25 PSF Wind Load
- 48" W x 108" H – 24 PSF Wind Load





WHY ARCHITECTS CHOOSE ENTICE®

An increased emphasis on thermal performance means the future of glass entrances is double-glazed insulating units. Entice is at the forefront, delivering low U-factors while simultaneously producing the all-glass aesthetics that architects seek. This is achieved by combining thermally broken framing and insulating glass, with ultra-narrow 1-1/8" vertical stiles. Entice offers aesthetics and performance in one groundbreaking entrance system.

WHY GLASS PROFESSIONALS CHOOSE ENTICE®

Entice represents a complete turnkey solution because it comes fully fabricated. The system is cut to size, holes are predrilled, end dams sealed into place, mounting slots are cut, door hardware comes preinstalled, cladding is applied where possible, and horseshoe shims are provided. This is a valuable benefit because it saves time and reduces labor costs during installation.

"Best product for retail"

— Architectural Products
Product Innovation Awards



GO TALLER WITH OPTIONAL CLEAR FIN S

Entice Series takes innovative engineering a step further with an optional Clear Fin system. Clear Fins span from floor to ceiling for increased structural support, which lets architects create monumental entrances of up to 14 feet high (including transom). They feature a low-profile 14" depth alongside narrow 1-5/8" wide mounts that together complement the existing all-glass aesthetic.

*"The cleanliness in lines is equaled
by the sophistication of the
hardware and performance."*

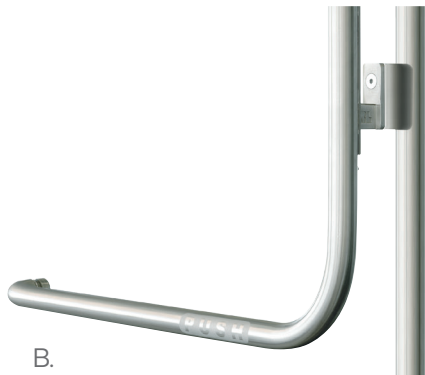
— Architectural Products
Product Innovation Awards Judge



ENTICE® SERIES ENTRANCE SYSTEM | ACCESSORIES



A.



B.



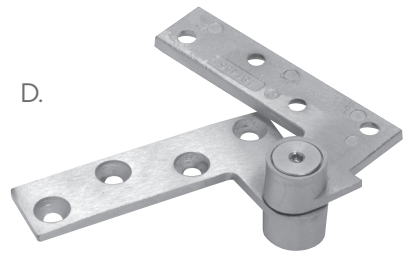
C.



Supports Handle Hardware, Including Panic Devices, On 1" Insulating Glass

THROUGH-GLASS HANDLE HARDWARE

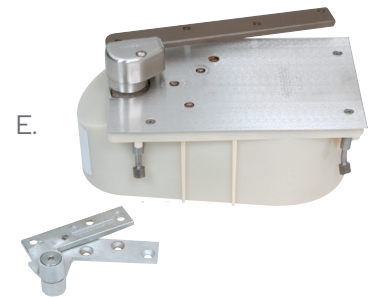
An unmistakable feature of Entice is its unique ability to support Blumcraft® Panic Devices and other types of handle hardware directly on dual-glazed 1" insulating glass units. This is achieved using precision-engineered, through-glass fittings. Despite the floating-on-air aesthetic, panic devices pass the UL emergency exit load test.



D.

A. SIDELITE RAILS
 • 4" (102 mm) Square
 • 10" (254 mm) Square

B. PANIC EXIT DEVICES
 • Blumcraft® Panic Exit Device with Many Exterior Pull Configurations
 • Electronic Egress Handles
 • Deadbolt Handles



E.

C. CRL PUSH/PULL HANDLES
 • Standard Configurations
 • Custom Configurations

D. PIVOT HARDWARE
 • Center Pivots
 • Offset Pivots for Single Acting Doors (Limited Door Heights)

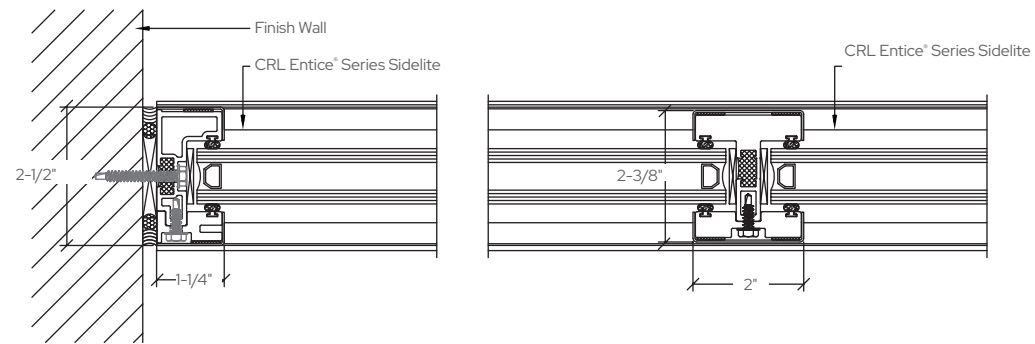


F.

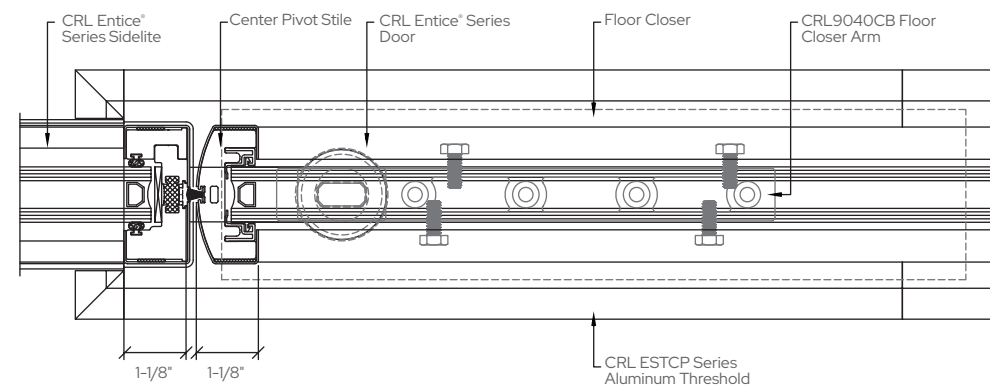
E. DOOR CLOSERS
 • Concealed Overhead
 • Exposed Overhead (Interior Office)
 • Floor Mounted

F. LOCKING LADDER PULLS
 • Many Styles Available in Standard and Custom Lengths

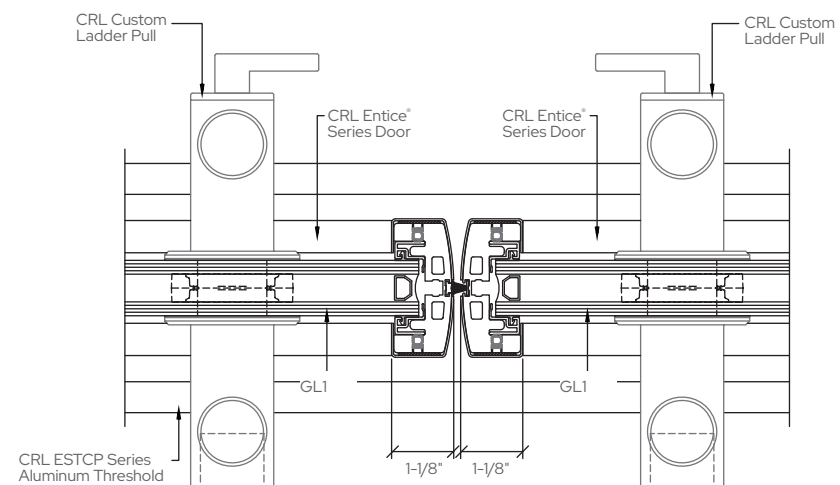
ENTICE® SERIES ENTRANCE SYSTEM | DETAILS



SIDELITE JAMB AT WALL INTERMEDIATE VERTICAL MULLION

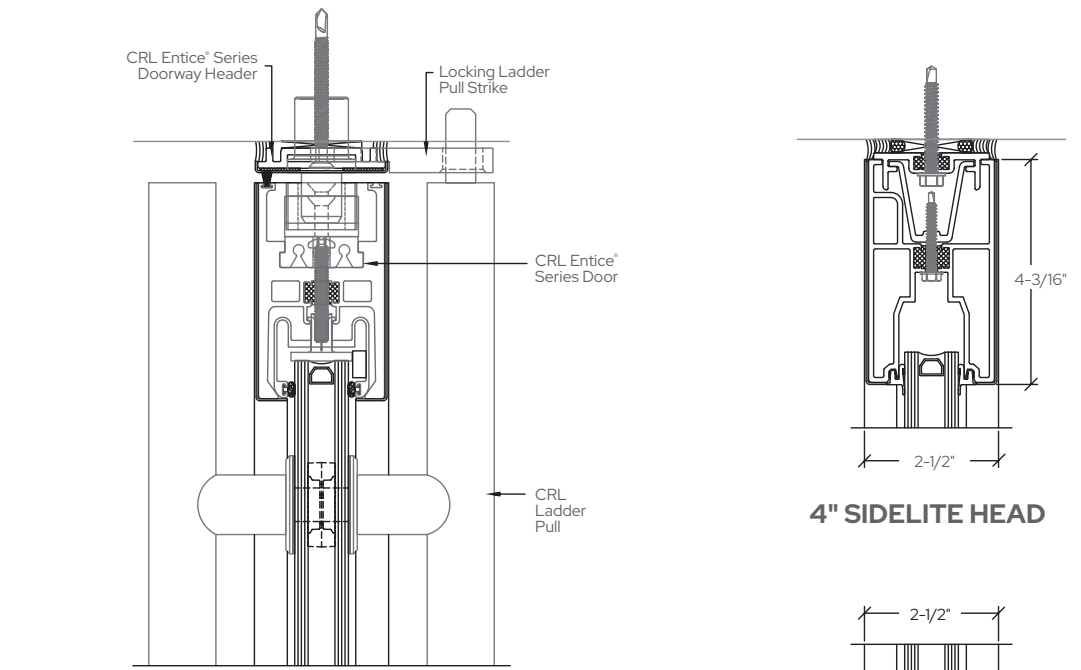


DOOR JAMB AT SIDELITE

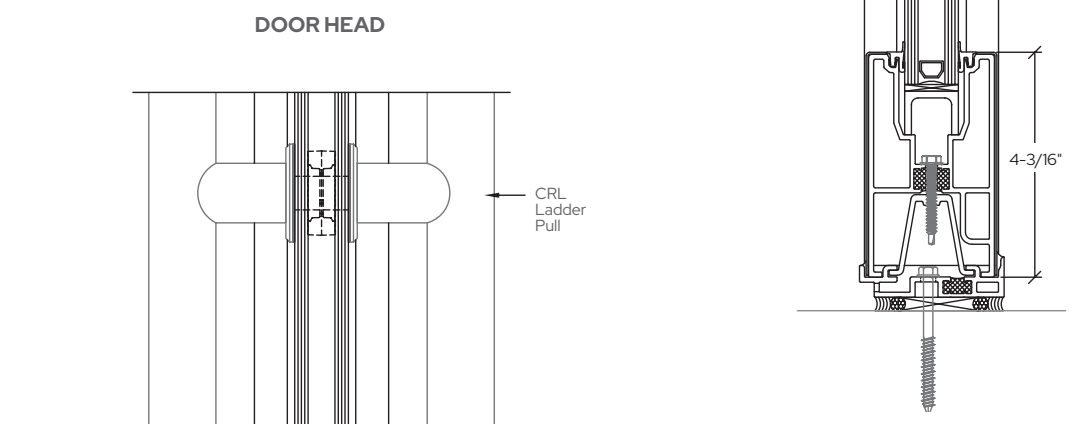


MEETING STILES

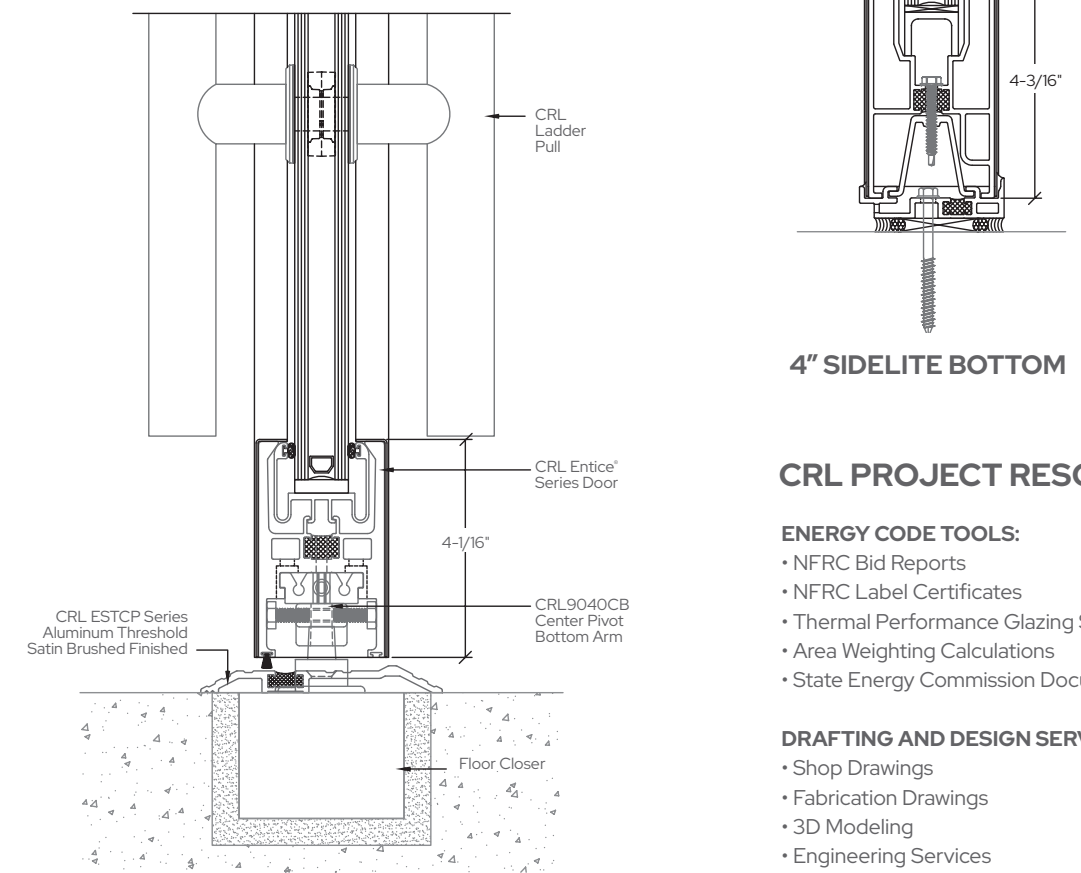
ENTICE® SERIES ENTRANCE SYSTEM | DETAILS



4" SIDELITE HEAD



4" SIDELITE BOTTOM



**4" DOOR BOTTOM
10" AVAILABLE**

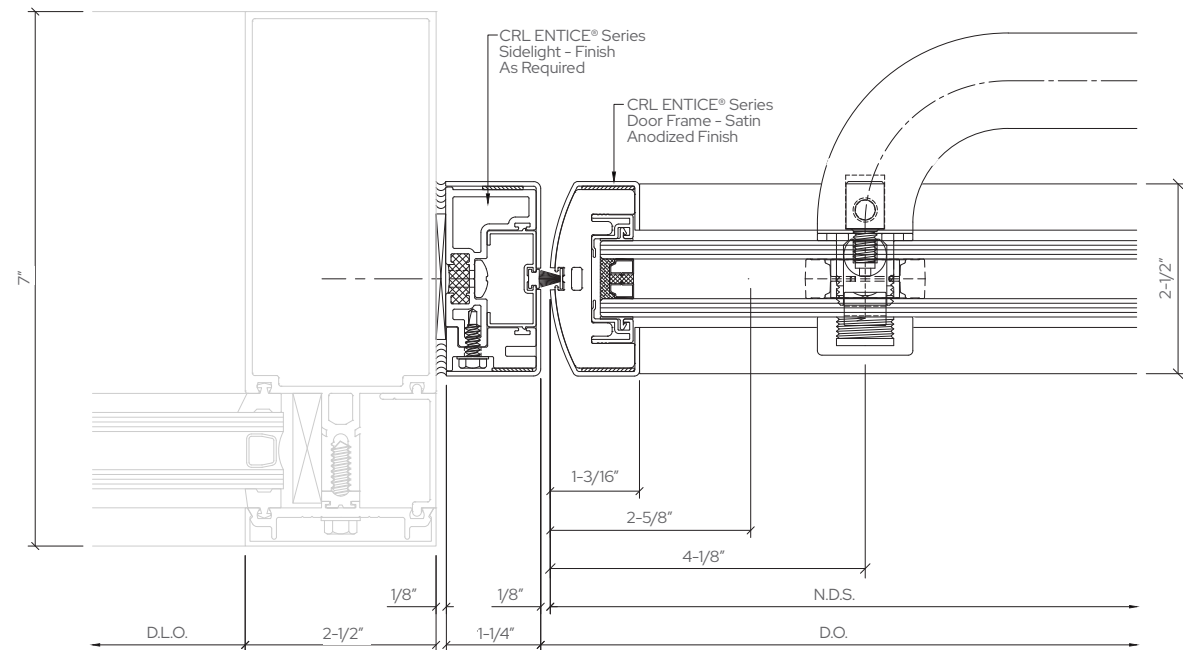
CRL PROJECT RESOURCES

- ENERGY CODE TOOLS:**
- NFRC Bid Reports
 - NFRC Label Certificates
 - Thermal Performance Glazing Selection Charts
 - Area Weighting Calculations
 - State Energy Commission Document Coordination

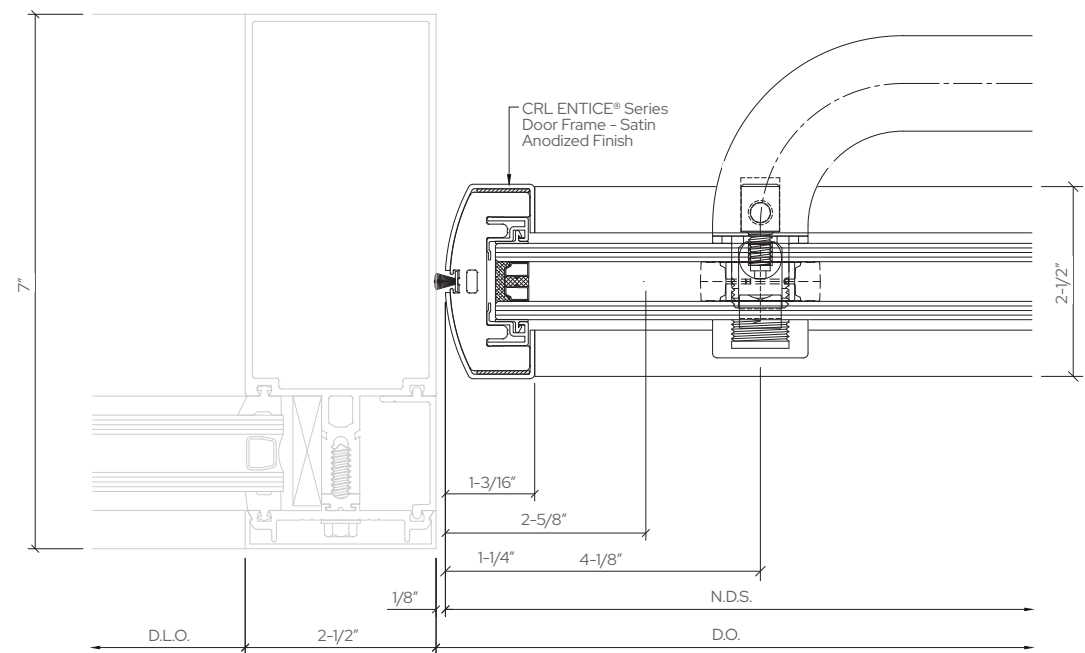
DRAFTING AND DESIGN SERVICES:

- Shop Drawings
- Fabrication Drawings
- 3D Modeling
- Engineering Services
- Project Management

ENTICE® SERIES ENTRANCE SYSTEM | DETAILS

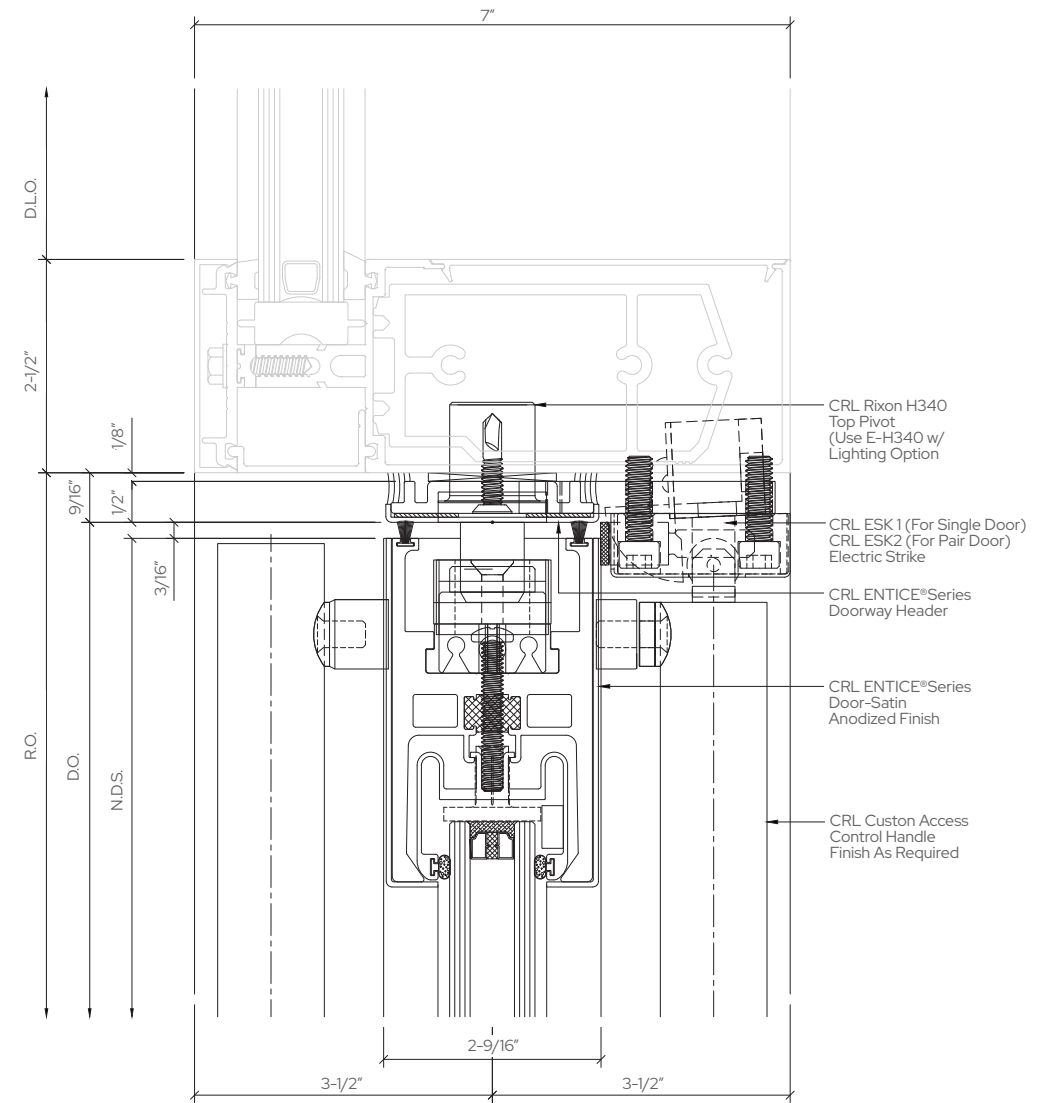


DOOR JAMB WITH CURTAIN WALL



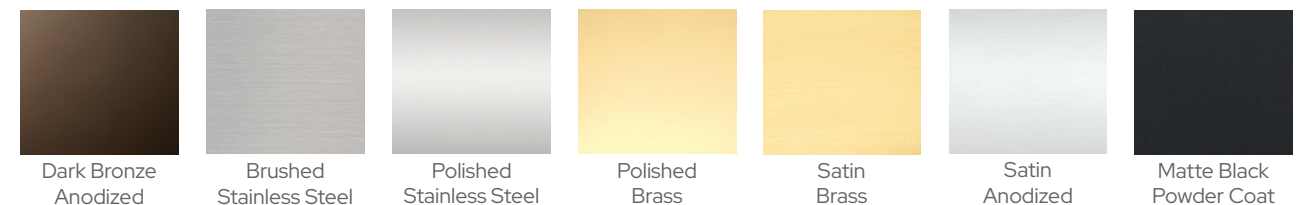
DOOR JAMB WITH CURTAIN WALL

ENTICE® SERIES ENTRANCE SYSTEM | DETAILS



DOOR HEAD DETAIL AT CURTAIN WALL

AVAILABLE FINISHES



Optional finishes include Powder Coat Paint and Kynar Paint



C.R. Laurence Co., Inc.
Corporate Headquarters
2503 E. Vernon Ave.
Los Angeles, CA 90058-0923

(800) 421-6144
crlaurence.com